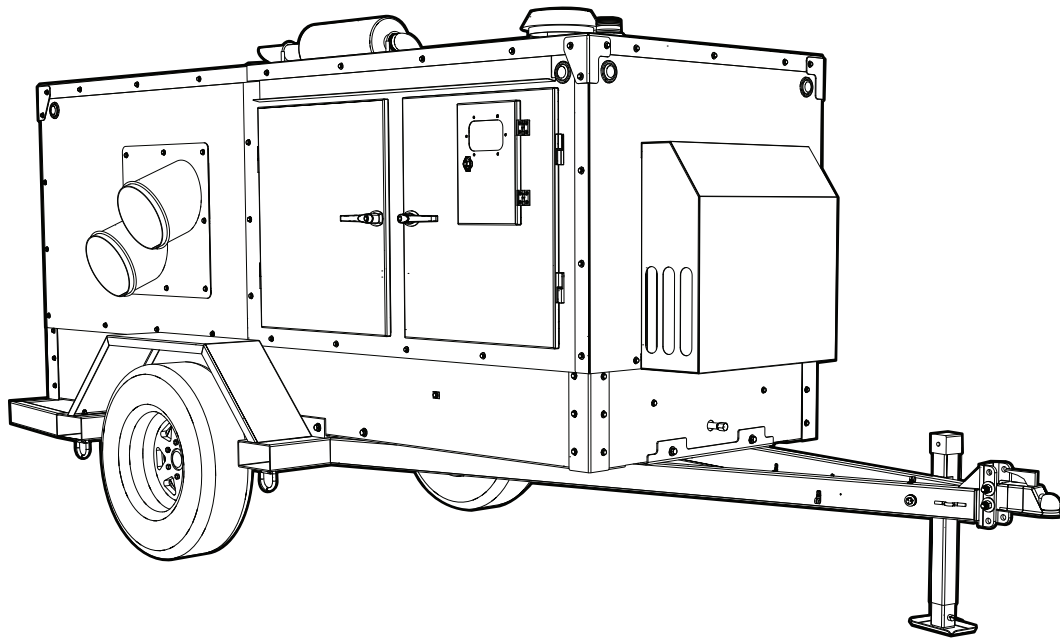


MFH500TDI

Flame-less Heater Parts Manual



02972

MODEL NUMBER: _____

SERIAL NUMBER: _____

DATE PURCHASED: _____

SAVE THIS MANUAL FOR FUTURE REFERENCE

 **WARNING**

CANCER AND REPRODUCTIVE HARM

www.P65Warnings.ca.gov

(000393a)

 **WARNING**

Breathing diesel engine exhaust exposes you to chemicals known to the State of California to cause cancer and birth defects or other reproductive harm.

- Always start and operate the engine in a well-ventilated area.
- If in an enclosed area, vent the exhaust to the outside.
- Do not modify or tamper with the exhaust system.
- Do not idle the engine except as necessary.

For more information go to

www.P65Warnings.ca.gov/diesel

(000394)

Introduction

This parts manual was prepared based on the information available at the time of publication and is subject to change without notice. Generac Mobile reserves the right to change parts at any time. To check whether a revised parts manual is available, contact Generac Mobile.

DO NOT MODIFY or use this equipment for any application other than which it was designed for. To keep your equipment fully operational, it is suggested you maintain a stock of commonly used maintenance or service parts. A recommended spare parts list can be found in the back of this manual. To order service parts, please go to www.generacmobileproducts.com or call Generac Mobile.



⚠ WARNING

Consult Manual. Read and understand manual completely before using product. Failure to completely understand manual and product could result in death or serious injury. (000100a)

⚠ WARNING

Environmental Hazard. Always recycle batteries at an official recycling center in accordance with all local laws and regulations. Failure to do so could result in environmental damage, death, or serious injury. (000228)

GENERAC MOBILE PRODUCTS LLC

215 Power Drive • Berlin, WI 54923 U.S.A.

Phone: 920-361-4442

FAX: 920-361-4416

Toll Free: 1-800-926-9768

www.generacmobileproducts.com

For technical or parts QUESTIONS, contact Generac Mobile Technical Service at 1-800-926-9768.

Engine Make: _____

Engine Serial Number: _____

Engine Model Number: _____

This Page Intentionally Left Blank

Table of Contents

Introduction	iii
Parts Manual Instructions	1
Decal Location	2
Enclosure Panels	4
Roof and Doors to Unit	6
Enclosure Panels to Unit	8
Air to Air Exchange Assembly	10
Assembly - Rear Door, RH Rear Door	12
Assembly - Control Door	14
Assembly - LH Front, RH Rear Door	16
Assembly - Control Panel	18
Assembly - Radiator	20
Hydraulic Tank Assembly	22
Hydraulic Heat Exchanger Assembly	24
Engine Assembly	26
Containment / Enclosure Frame Assembly	28
Tank Assembly	30
Trailer Assembly	32
Tandem Trailer Assembly (If Equipped)	34
Recommended Spare Parts - Engine	36
Recommended Spare Parts - Electrical/Duct	38

This Page Intentionally Left Blank

Parts Manual Instructions


Product illustrations are only representations. Products supplied may vary from the illustrations in this parts manual. Parts not shown in the illustration are indicated by a double dash (--) in the item column.

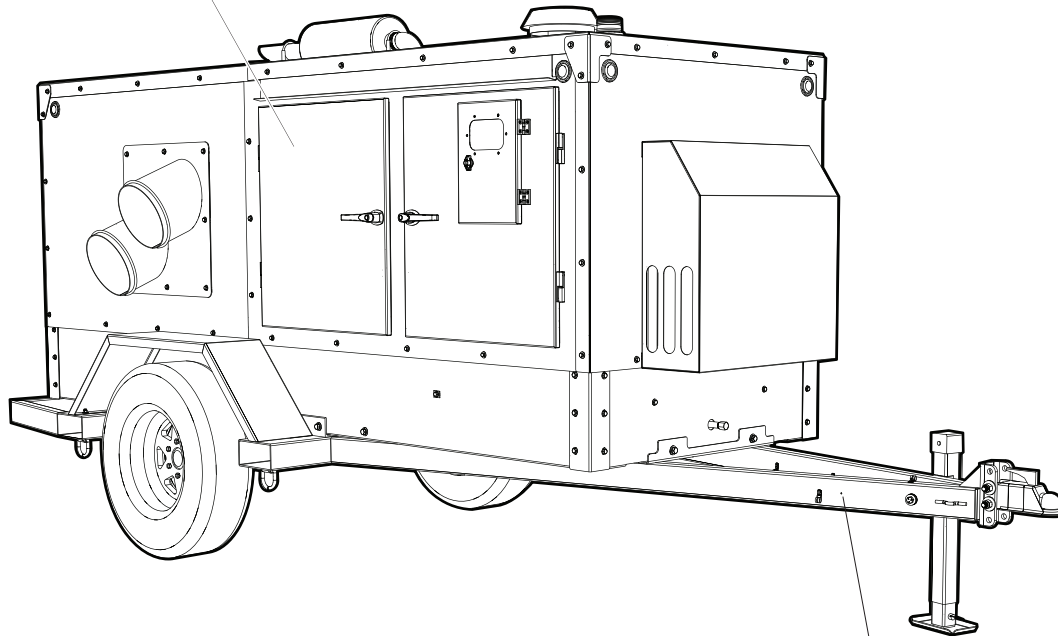
Please be prepared to provide the following information when ordering replacement parts: model number, serial number (on unit serial tag), part number, purchase order number (if applicable), shipping address, shipping method.

Refer to the illustration below to locate the unit ID tag and Vehicle Identification Number (VIN) tag on the unit. Important information, such as the unit serial number, model number, VIN and tire loading information are found on these tags. Record the information from these tags so it is available if the tags are lost or damaged. When ordering parts or requesting assistance, you may be asked to provide this information.

SERIAL TAG

(located inside door on the cooler wall)

Manufactured by Generac Mobile Products LLC					
(920) 361-4442			(800) 926-9768		
Country of Origin	Model	Serial Number			
Manufacturing Code	Weight (lbs/kg)	RPM/Frequency			
		Rating			
	1 ph. 1.0PF	3 ph. .8PF	3 ph. 1.0PF		
KW					
KVA					
V					
A				Ins. Class	
				 FOR ELECTRICAL EQUIPMENT <small>ONLY WHEN MOUNTED IN LISTED ENCLOSURES - 1994</small>	
Form: SFC626B					

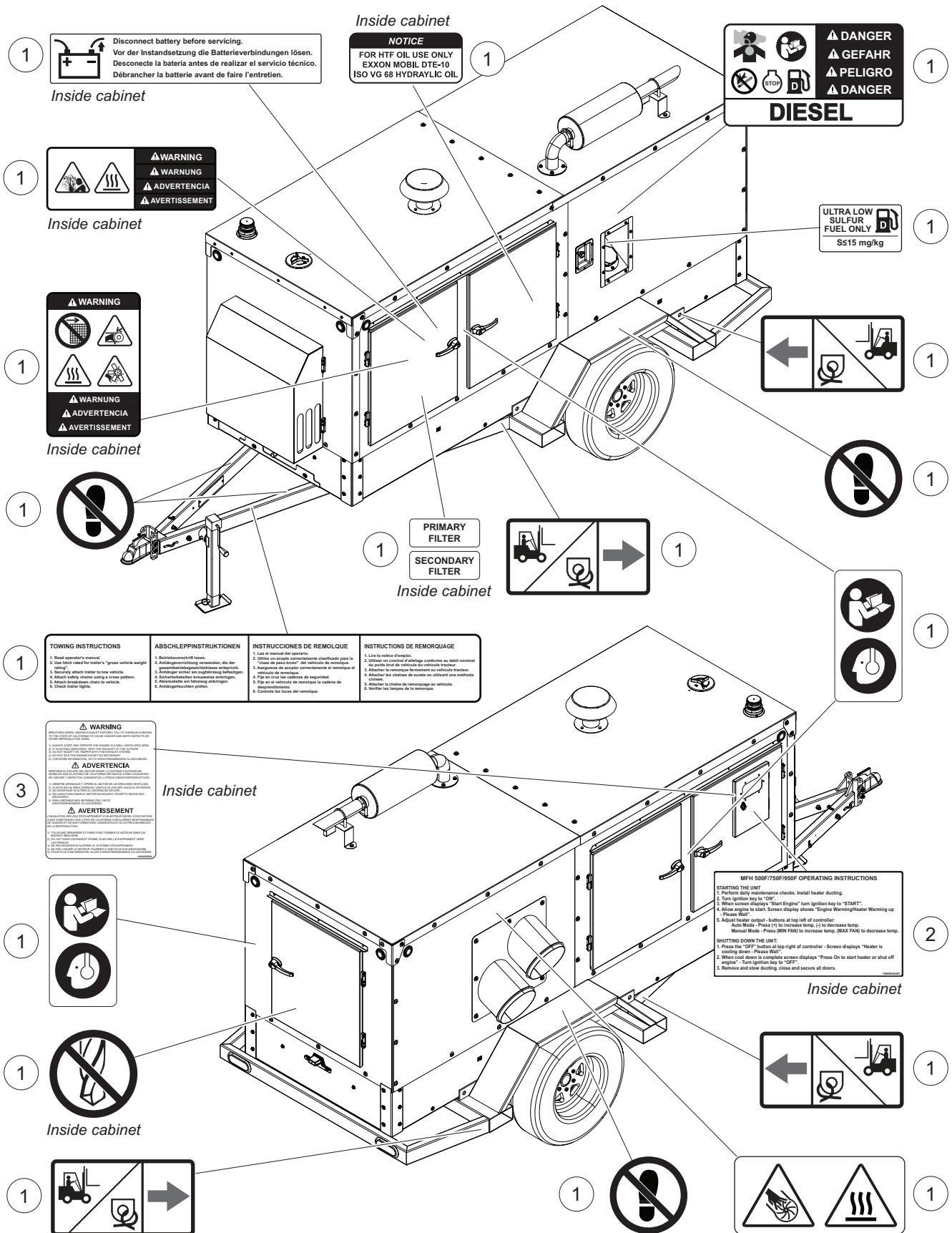


VIN Tag

MANUFACTURED BY/FABRIGUE PAR: Generac Mobile Products, LLC COUNTRY/PAIS: USA/ÉTATS-UNIS				DATE: 00/0000 COLD INT. PRESSURE: PRES. INT. FROID		TIRE AND LOADING INFORMATION INFORMATIONS SUR LES PNEUS ET LE CHARGEMENT	
GEAR / PNEU	TIRE / PNEU	RM / JANTE	VIN: XX000		The weight of cargo should never exceed 1000kg (2200lb). Le poids de chargement ne doit jamais dépasser 1000kg (2200lb).		SEE OWNER'S MANUAL FOR TIRE LOADS
VIN: 0000000000000000			TYPE: TRAILER		ADDITIONAL INFORMATION		

02973

DECAL LOCATION

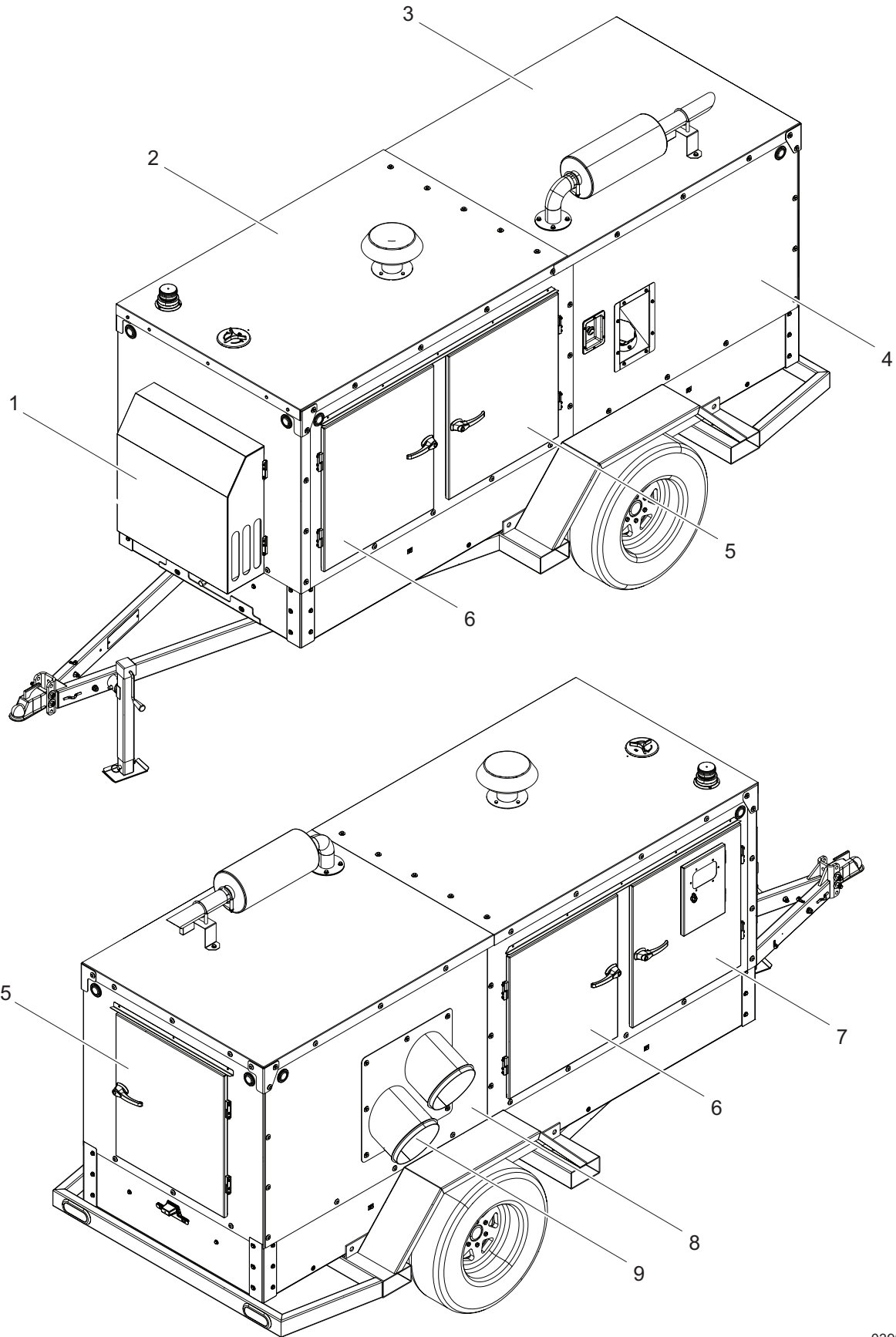


03994

DECAL LOCATION

Item	Part No.	Qty	Description	Notes
1	3022471	1	DECAL, SAFETY	
2	10000044487	1	DECAL 750-950 FLAMELESS HEATER OP INSTR	
3	10000038540	1	DECAL, PROP 65	

ENCLOSURE PANELS

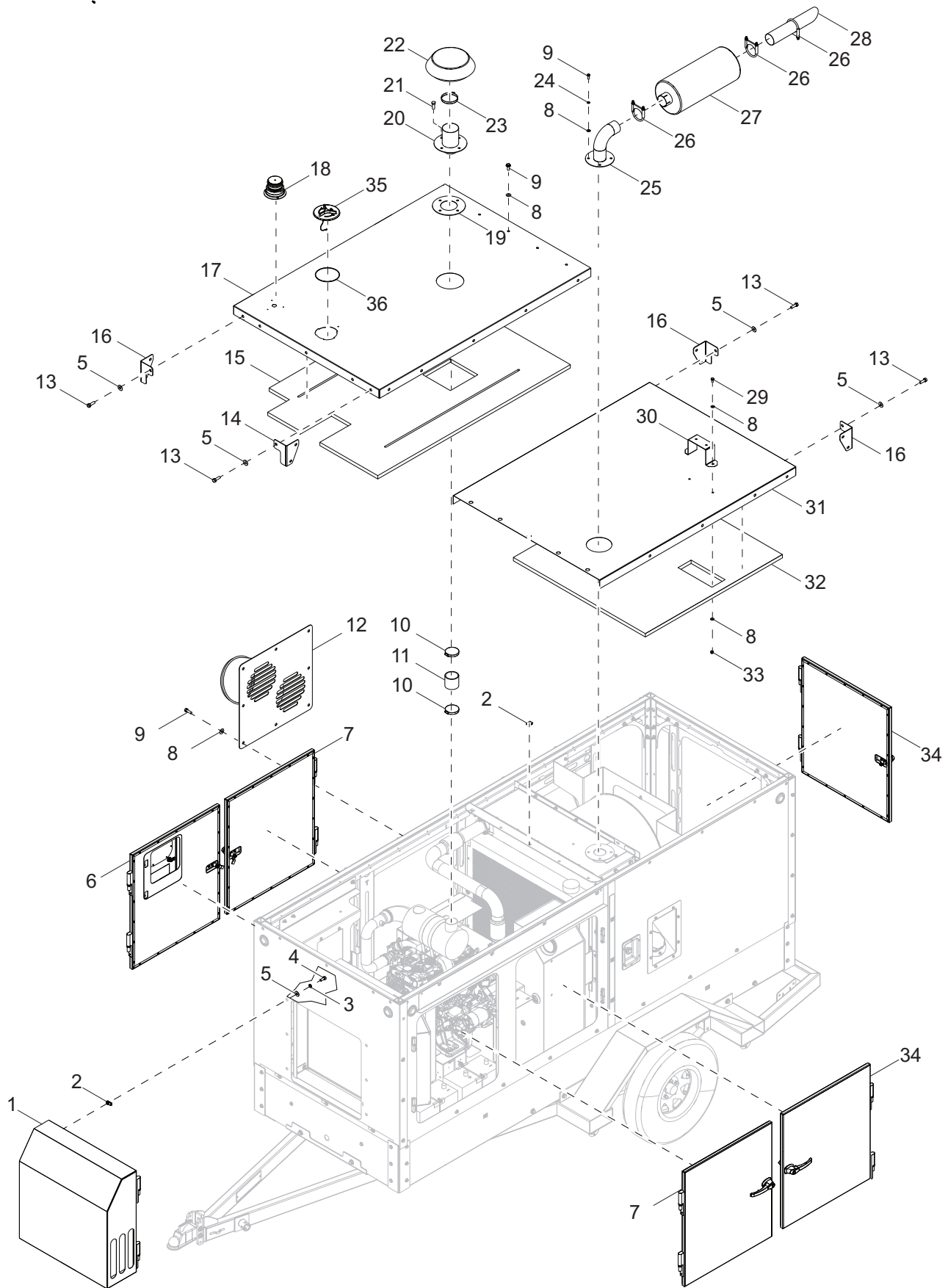


03995

ENCLOSURE PANELS

Item	Part No.	Qty	Description	Notes
1	A0000216613	1	ASSEMBLY, INTAKE HOOD	
2	A0000199025	1	STB WELDMENT ROOF FRONT	
3	A0000256466	1	ASSEMBLY, ROOF - REAR	
4	A0003693155	1	STW WELDMENT REAR PANEL LH	
5	A0000466940	2	ASSEMBLY, DOOR - RH	
6	A0000466945	2	ASSEMBLY, DOOR - LH	
7	A0000466946	1	ASSEMBLY, DOOR - FRONT CONTROL	
8	10000045659	1	ASSEMBLY, REAR PANEL	
9	A0000165709	1	WELDMENT, DISCHARGE 12.0 DUAL	

ROOF AND DOORS TO UNIT

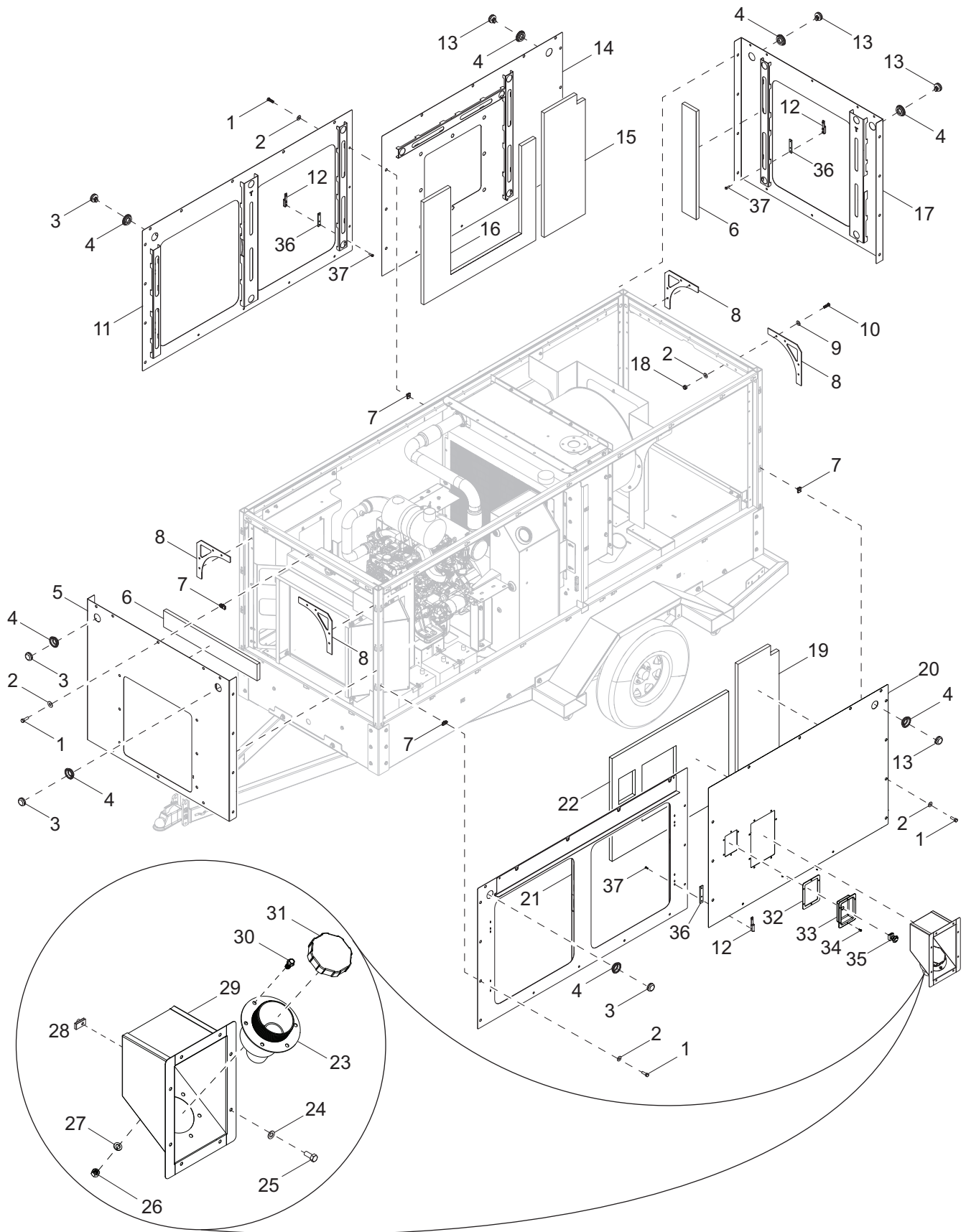


03996

ROOF AND DOORS TO UNITS

Item	Part No.	Qty	Description	Notes
1	A0000216613	1	WELDMENT, AIR INTAKE HOOD	
2	62086	11	NUT, .312-18 U-CLIP - SHORT TYPE	
3	60701	6	WASHER, .312 SPLIT LOCK - SS	
4	60687	6	SCREW, .312-18 X .750 STANDARD HEX - SS	
5	60340	34	WASHER, FLAT .875/.040 - SS	
6	A0000466946	1	ASSEMBLY, DOOR - RH	
7	A0000466945	2	ASSEMBLY, DOOR - LH	
8	60698	21	WASHER, .375 FLAT .875/.040 - SS	
9	60690	17	SCREW, .375-16 X 1.00 STANDARD HEX - SS	
10	20182	5	CLAMP, HOSE SAE 052 (2.81-3.75)	
11	19612	1	COUPLER, HOSE 3.00 X 3.00 - SILICONE	
12	A0000165709	1	WELDMENT, DISCHARGE	
13	60507	28	SCREW, .312-18 X 1.00 STANDARD HEX - SS	
14	3021277	2	CAP, TOP CORNER LH	
15	A0000457028	1	FOAM ROOF FRONT	
16	3021278	2	CAP, TOP CORNER RH	
17	A0000199025	1	STB WELDMENT ROOF FRONT	
18	76176	1	LIGHT, STROBE 12V LED - AMBER	
19	3021275	1	FLANGE, AIR INTAKE - ROOF	
20	A0000351635	1	WELDMENT, AIR INTAKE	
21	60334	4	SCREW, .375-16 X 1.00 STANDARD HEX, G5	
22	3023369	1	COVER, AIR INTAKE	
23	20182	1	CLAMP, HOSE SAE 088 (4.09-6.00)	
24	60703	4	WASHER, .375 SPLIT LOCK - SS	
25	3021309	1	WELDMENT, MUFFLER	
26	18821	3	CLAMP, 3.00 EXHAUST	
27	MAC3934	1	ASSEMBLY, MUFFLER	
28	MAC3747	1	PIPE, 3.00OD X 16.00 - ANGLE CUT ONE END	
29	60295	2	SCREW, .375-16 X .750 STANDARD HEX - SS	
30	3022593	1	BRACKET, ROOF MUFFLER	
31	A0000256466	1	PLATE, ROOF BACK	
32	A0000467051	1	FOAM, ROOF - REAR	
33	60358	2	NUT.375-16 NYLOCK, G5	
34	A0000466940	2	ASSEMBLY, DOOR - RH	
35	0C2634	1	COVER ACCESS GEN2000	INCL. HARDWARE
36	0F1563	1	O-RING 5.737 X 5.943	

ENCLOSURE PANELS TO UNIT

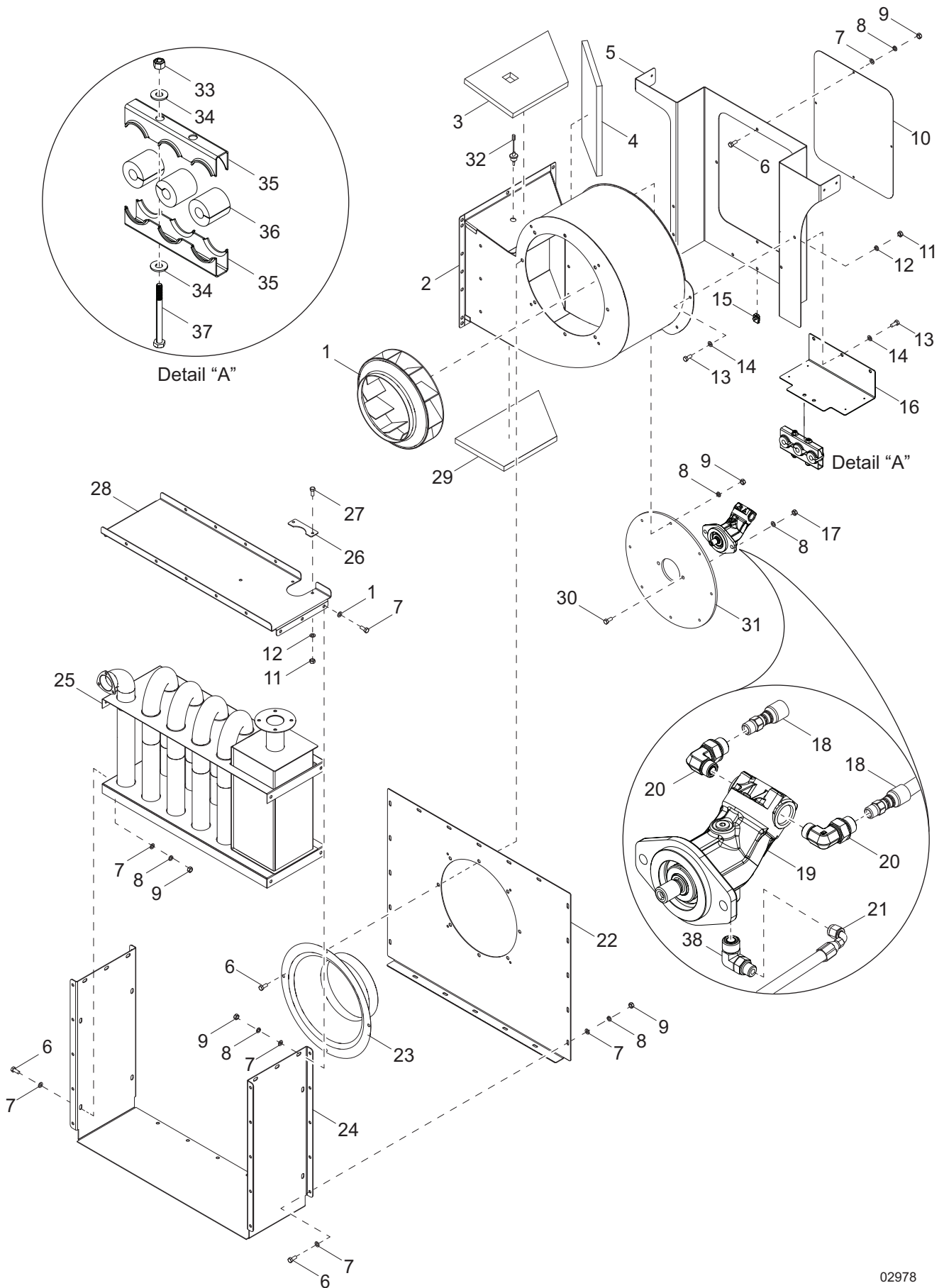


03997

ENCLOSURE PANELS TO UNIT

Item	Part No.	Qty	Description	Notes
1	60507	42	SCREW, .312-18 X 1.00 STANDARD HEX - SS	
2	60340	42	WASHER, .312 FLAT .875/.040 - SS	
3	MAC4084	4	LIGHT, 2.00 CLEARANCE LED - AMBER	
4	MAC2448	8	GROMMET, MARKER LIGHT - 2.00	
5	A0000165570	1	WELDMENT, FRONT PANEL	
6	A0000467076	2	FOAM, DOOR CORNERS	
7	62086	64	NUT, .312-18 U-CLIP - SHORT	
8	3021734	4	BRACE, CORNER	
9	60386	64	WASHER, .375 FLAT .993/.064	
10	60352	32	SCREW, .375-16 X 1.250 STANDARD HEX, G5	
11	10000045697	1	WELDMENT, FRONT PANEL - RH	
12	10000037158	10	HINGE, LIFT-OFF	
13	MAC4085	4	LIGHT, 2.00 CLEARANCE LED - RED	
14	10000045659	1	WELDMENT, REAR PANEL - RH	
15	A0000467097	1	FOAM, REAR PANEL - RH	
16	A0000467100	1	FOAM, PANEL - HEAT EXCHANGER	
17	10000045669	1	WELDMENT, REAR PANEL	
18	60140	32	NUT, .375-16 HEX, G5	
19	A0000467103	1	FOAM, REAR PANEL - LH	
20	A0003693155	1	STOW WELDMENT REAR PANEL LH	
21	10000045697	1	WELDMENT, REAR PANEL - LH	
22	A0000467105	1	FOAM PANEL FUEL BEZEL SIDE	
23	3023331	1	WELDMENT, FUEL FILL	
24	60696	8	WASHER, .250 FLAT .625/.050 - SS	
25	61195	8	SCREW, .250-20 X .750 STANDARD HEX - SS	
26	60679	6	NUT, .375-16 HEX - SS	
27	60703	6	WASHER, .375 SPLIT LOCK - SS	
28	61143	8	NUT, .250-20 U-CLIP - SHORT	
29	3022271	1	WELDMENT, FUEL BEZEL	
30	63320	6	SCREW, .375-16 X .750 SER FLANGE HEX - SS	
31	MAC1975	1	FUEL CAP, 4.00 VENTED	
32	10000047407	1	GASKET EMERGENCY STOP	
33	30645	1	PANEL, EMERGENCY STOP	
34	62254	4	SCREW, 10-32X.500 SFLG HEX 18-8 SS	
35	65470	1	SWITCH E-STOP OPERATOR	
36	10000045539	10	STB, SPACER HINGE	
37	G052618	30	SCREW HHC M5-0.8 X 12 C8.8	

AIR TO AIR EXCHANGE ASSEMBLY

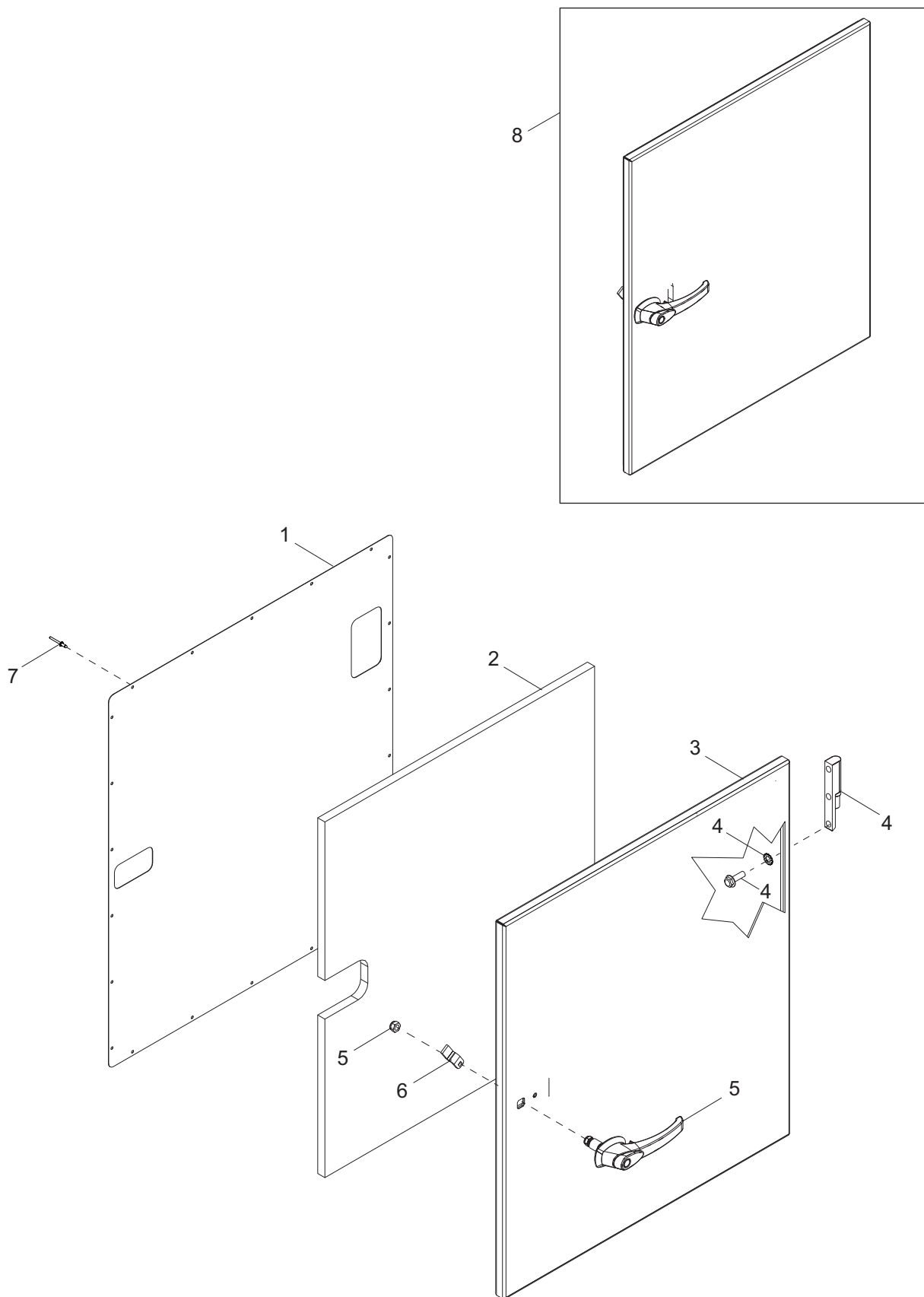


02978

AIR TO AIR EXCHANGE ASSEMBLY

Item	Part No.	Qty	Description	Notes
1	MAC3563	1	FAN, SMALL PLATFORM	
2	3021333	1	WELDMENT, SCROLL	
3	A0000390281	1	FOAM, TOP - HEAT EXCHANGER	
4	A0000390275	1	FOAM, SIDE - HEAT EXCHANGER	
5	A0000374783	1	WALL, HOSE STORAGE	
6	61190	42	SCREW, .500-13 X 1.00 STANDARD HEX - SS	
7	62261	42	WASHER, .500 FLAT .875/.063 - SS	
8	60702	42	WASHER, .500 SPLIT LOCK - SS	
9	60681	42	NUT, .500-13 HEX - SS	
10	A0000374785	1	WALL PANEL, HOSE STORAGE	
11	60679	6	NUT, .375-16 HEX - SS	
12	60703	6	WASHER, .375 SPLIT LOCK - SS	
13	60690	4	SCREW, .375-16 X 1.00 STANDARD HEX - SS	
14	60698	6	WASHER, .375 FLAT .875/.040 - SS	
15	62086	3	NUT, .312-18 U-CLIP - SHORT	
16	3021424	1	BRACKET, HOSE WALL LINE	
17	60679	2	NUT, .375-16 HEX - SS	
18	3021154	2	HOSE, MOTOR SUPPLY RETURN	
19	MAC3558	1	MOTOR, FAN MA12	
20	3021162	3	FITTING ELBOW 90 DEG FF	
21	3021155	1	HOSE, MOTOR CASE DRAIN	
22	3021331	1	PLATE, SCROLL CONE	
23	MAC3564	1	CONE, INLET - MEDIUM PLATFORM	
24	3021343	1	BOTTOM, AIR TO AIR CHAMBER	
25	3021335	1	EXCHANGER, AIR TO AIR	
26	3010326	1	COVER, EXHAUST HOLE	
27	63320	2	SCREW, .375-16 X .750 SERRATED FLANGE - SS	
28	3021341	1	TOP, AIR TO AIR CHAMBER	
29	A0000390260	1	FOAM, BOTTOM - HEAT EXCHANGER	
30	63320	2	SCREW, .375-16 X .750 SER FLANGE HEX - SS	
31	3021332	1	PLATE, MOTOR	
32	MAC4165	1	TRANSMITTER, TEMPERATURE	
33	G027529	2	NUT HEX LOCK 1/4-20 NY INS	
34	112381	4	WASHER-FLAT 1/4 USS	
35	MAC3833	2	TUBELINE CLAMP	
36	MAC3899	3	SPLIT BUSHING - RUBBER - 1/2 IN TUBELINE	
37	A0000349984	2	SCREW HHC 1/4-20 X 3.00 G8	
38	3021163	1	FITTING ORG FF -8 MALE X -6 MALE	

ASSEMBLY - REAR DOOR, RH REAR DOOR

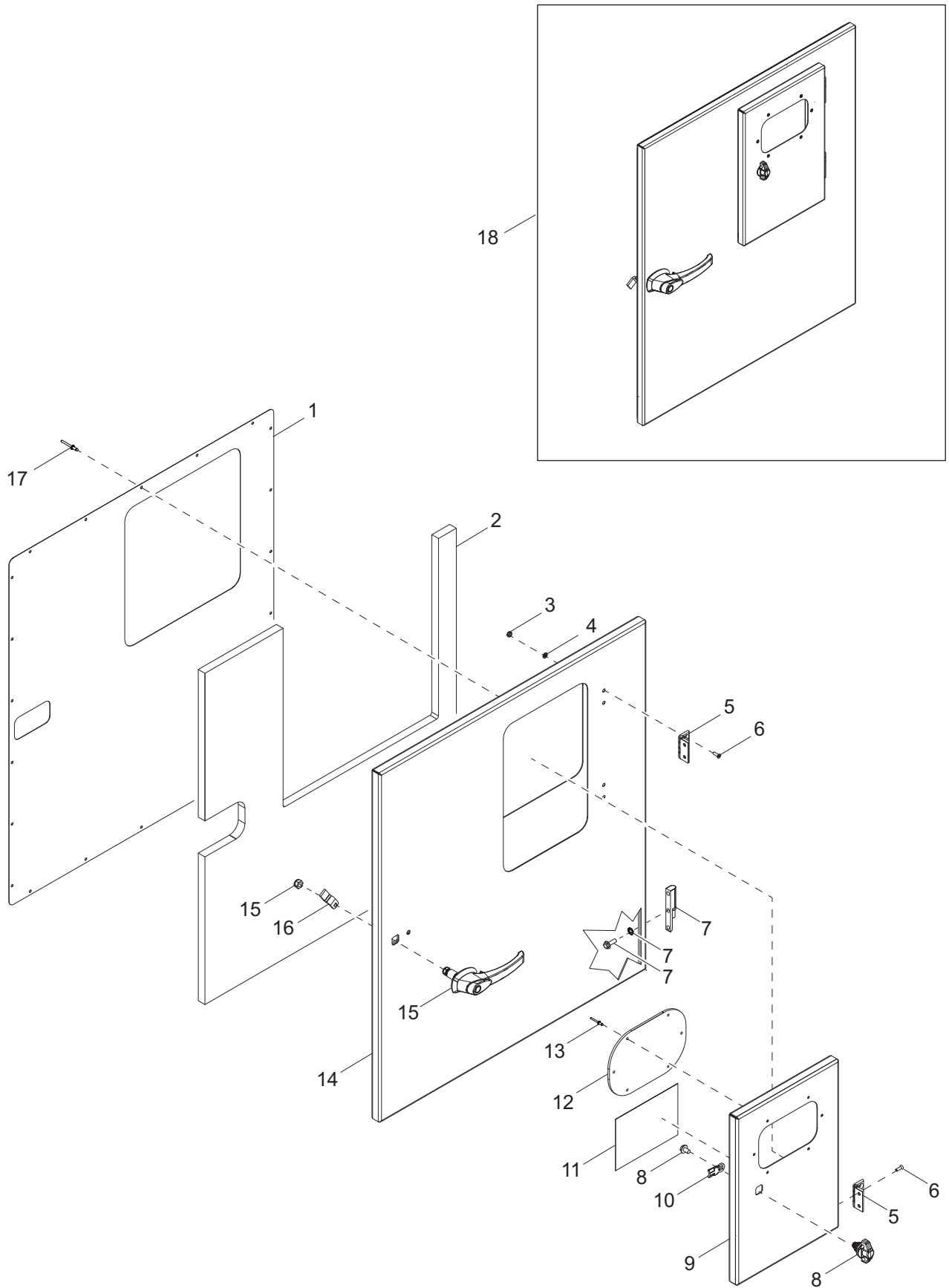


02979

ASSEMBLY - REAR DOOR, RH REAR DOOR

Item	Part No.	Qty	Description	Notes
1	10000028013	1	LINER, DOOR - INNER	
2	A0000467116	1	FOAM, DOOR	
3	10000045700	1	WELDMENT, DOOR - RH	
4	10000037158	2	HINGE, LIFT OFF	INCL HARDWARE
5	MAC3689	1	HANDLE, DEFEATER	INCL HARDWARE
6	MAC3853	1	CAM, SINGLE POINT	
7	60420	22	RIVET, .188 DIAMETER X .020 TO .125 GRIP	
8	A0000466940	1	ASSEMBLY, DOOR - RIGHT	

ASSEMBLY - CONTROL DOOR

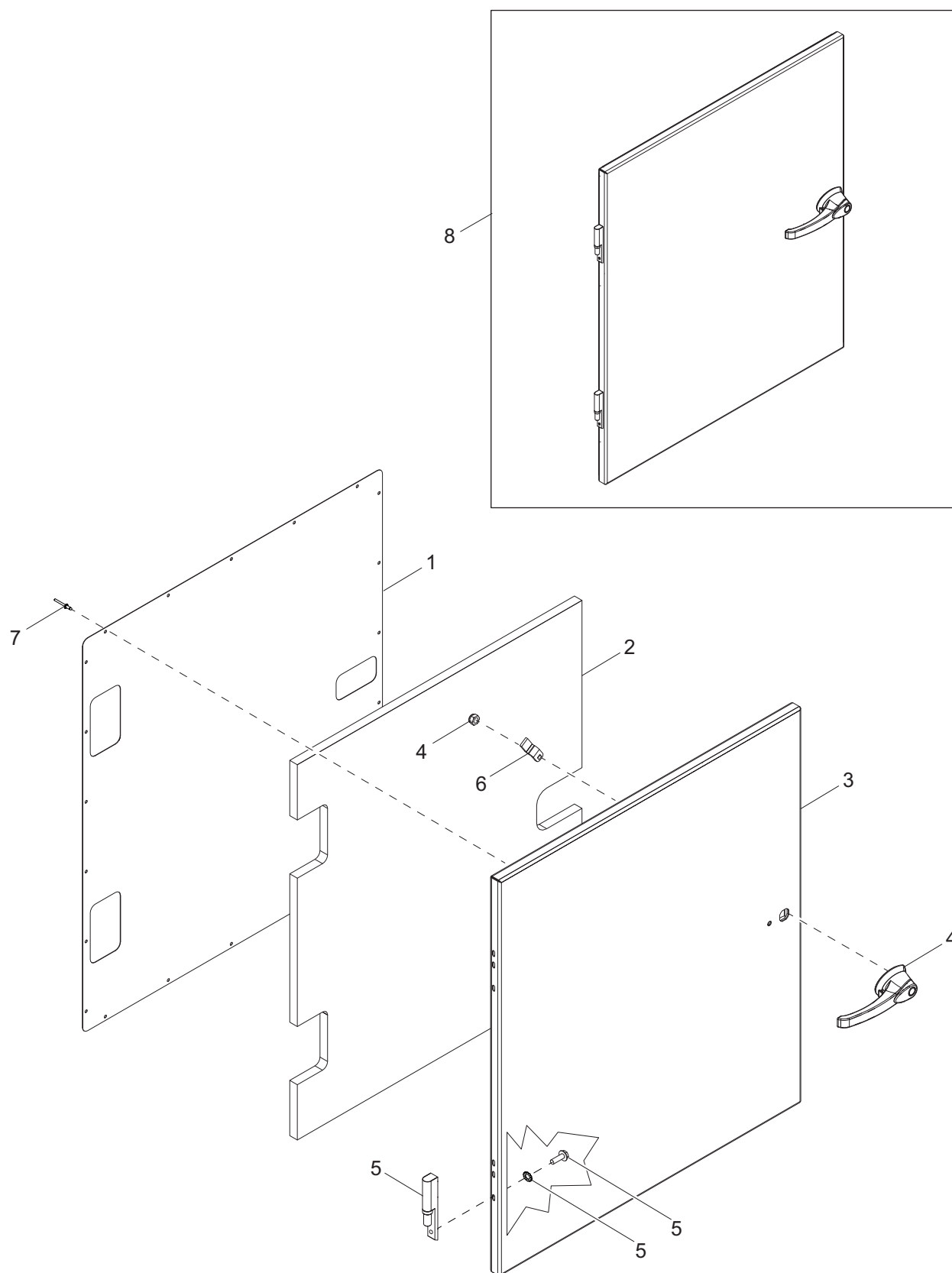


02980

ASSEMBLY - CONTROL DOOR

Item	Part No.	Qty	Description	Notes
1	10000028329	1	LINER, CONTROL DOOR - INNER	
2	A0000467118	1	FOAM, CONTROL DOOR	
3	60415	8	NUT, 10-32 NYLOCK - SS	
4	60067	8	WASHER, #10 FLAT .435/.060 - SS	
5	MAC3805	2	HINGE, EXTERNAL MOUNT	
6	10000019958	8	SCREW, 10-32 X .625 FLAT HEAD PHILLIPS - SS	
7	10000037158	3	HINGE, LIFT OFF - BLACK	Includes hardware
8	MAC3687	1	WING KNOB, 1/4 TURN	Includes hardware
9	A0000165595	1	WELDMENT, CONTROL DOOR	
10	12550	1	LEVER, CAM LOCK	
11	MAC3829	1	DECAL, OPERATING INSTRUCTIONS	
12	MAC3916	1	COVER, CONTROL BOX - LEXAN	
13	60130	6	RIVET, .156 DIAMETER X .126 TO .250 GRIP	
14	A0000221721	1	WELDMENT, CONTROL DOOR	
15	MAC3689	1	HANDLE, DEFEATER	Includes hardware
16	MAC3853	1	CAM, SINGLE POINT	
17	60420	22	RIVET, .188 DIAMETER X .020 TO .125 GRIP	
18	A0000466946	1	ASSEMBLY, DOOR FRONT CONTROL - RIGHT	

ASSEMBLY - LH FRONT, RH REAR DOOR

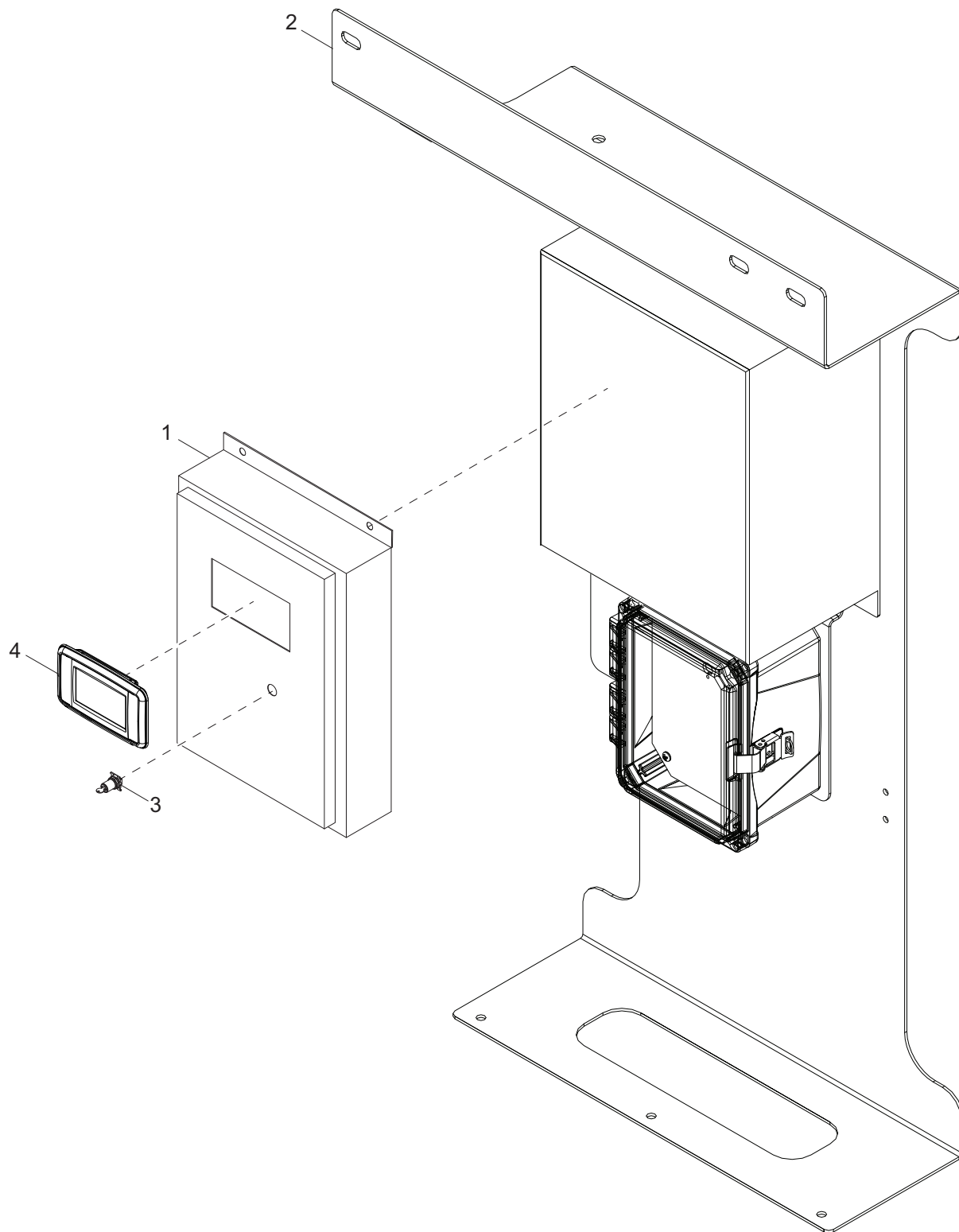


03147

ASSEMBLY - LH FRONT, RH REAR DOOR

Item	Part No.	Qty	Description	Notes
1	10000028013	1	LINER, DOOR - INNER	
2	A0000467116	1	FOAM, DOOR	
3	10000045658	1	WELDMENT, DOOR - LH	
4	MAC3689	1	HANDLE, DEFEATER	
5	10000037158	3	HINGE, LIFT OFF	includes hardware
6	MAC3853	1	CAM, SINGLE POINT	
7	60420	22	RIVET, .188 DIAMETER X .020 TO .125 GRIP	
8	A0000466945	1	ASSEMBLY, LH DOOR	

ASSEMBLY - CONTROL PANEL

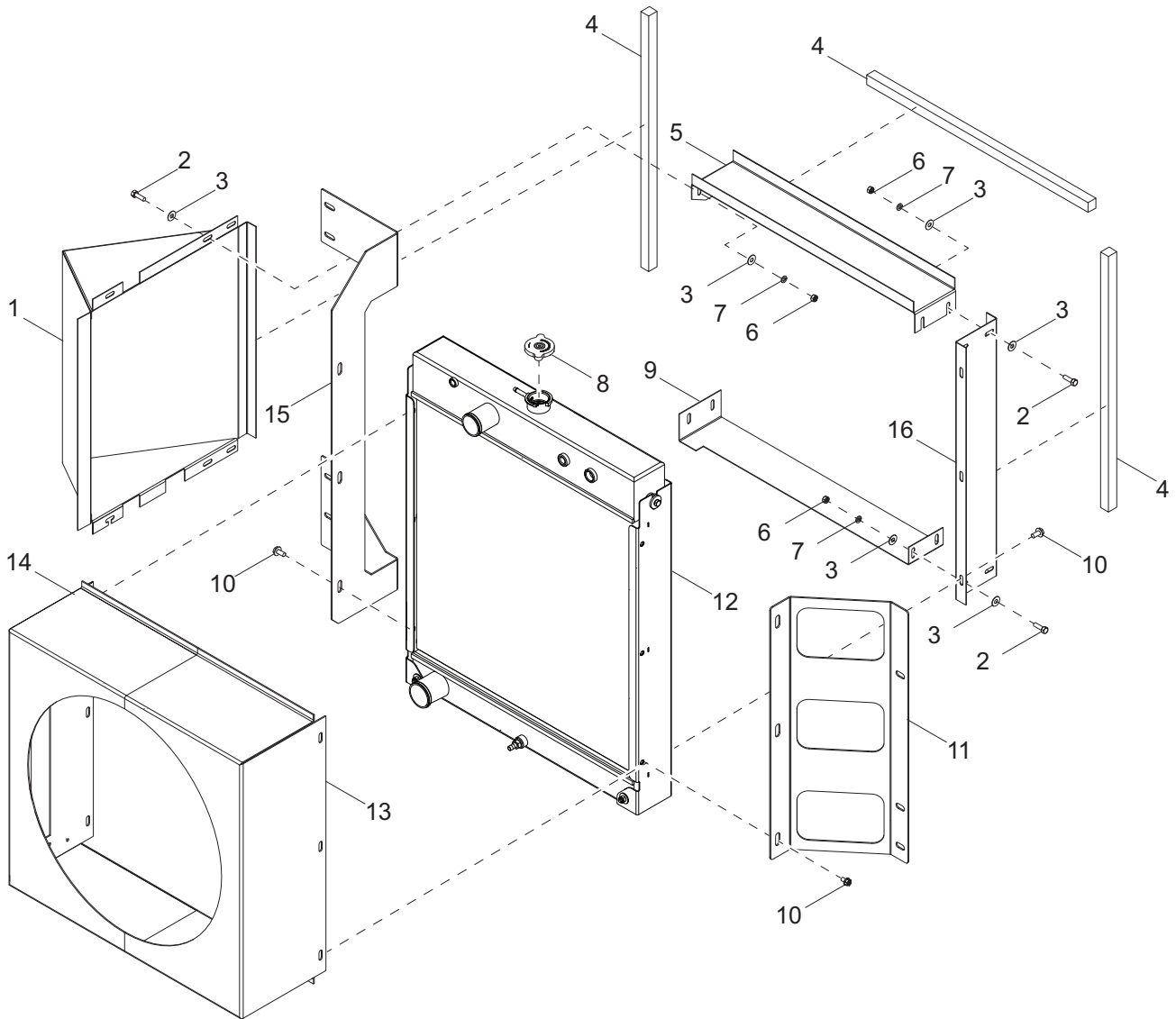


02929

ASSEMBLY - CONTROL PANEL

Item	Part No.	Qty	Description	Notes
1	3021116	1	CONTROL PANEL	
2	3021311	1	ASSEMBLY, CONTROL BOX MOUNT.	
3	3020703	1	KEY SWITCH W/KEYS	
4	CALL	1	DISPLAY	
5	CALL	1	CONTROLLER, PROGRAM	

ASSEMBLY - RADIATOR

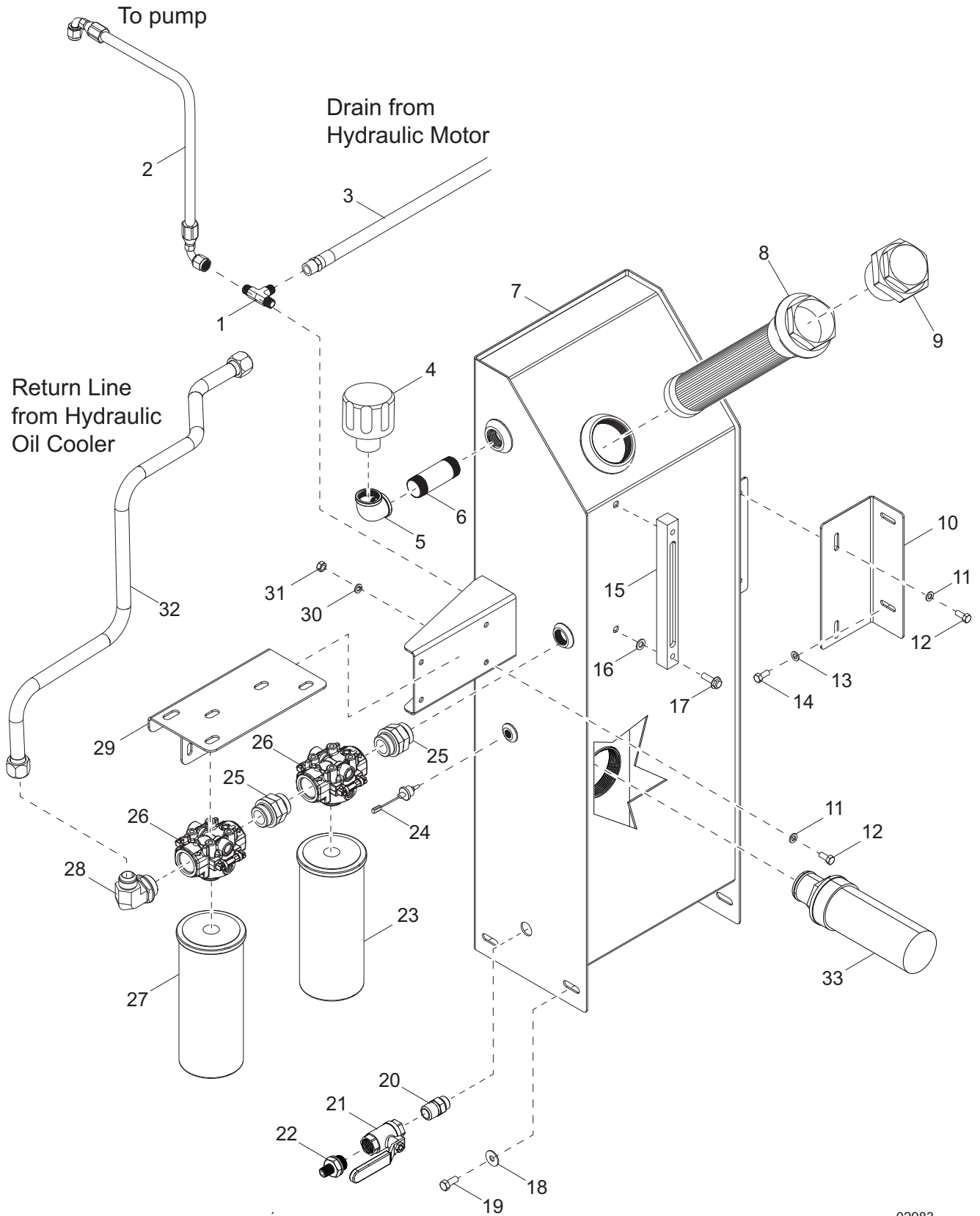


03752

ASSEMBLY - RADIATOR

Item	Part No.	Qty	Description	Notes
1	3021682	1	SHROUD, OIL DEFLECTOR	
2	60507	8	SCREW, .312-18 X 1.00 STANDARD HEX	
3	60340	15	WASHER, .312 FLAT .875/.040 - SS	
4	A0000504510	3	FOAM, RADIATOR BTW	
5	3021681	1	SHROUD, TOP	
6	60515	8	NUT, .312-18 HEX - SS	
7	60701	11	WASHER, .312 SPLIT LOCK - SS	
8	39850	1	CAP, RADIATOR-16 PSI	
9	3021680	1	SHROUD, BOTTOM	
10	62052	12	SCREW, .312-18 X .500 SER FLANGE HEX, G5	
11	10000035460	1	BRACKET, RADIATOR MOUNT - LH	
12	A0000767057	1	RADIATOR, MFH500	
13	A0000938690	1	STB WELDMENT SHROUD RADIATOR LH	
14	A0000939973	1	STB WELDMENT SHROUD RADIATOR RH	
15	10000038485	1	BRACKET, RADIATOR MOUNT - RH	
16	3021678	1	SHROUD, SIDE ANGLE	

HYDRAULIC TANK ASSEMBLY

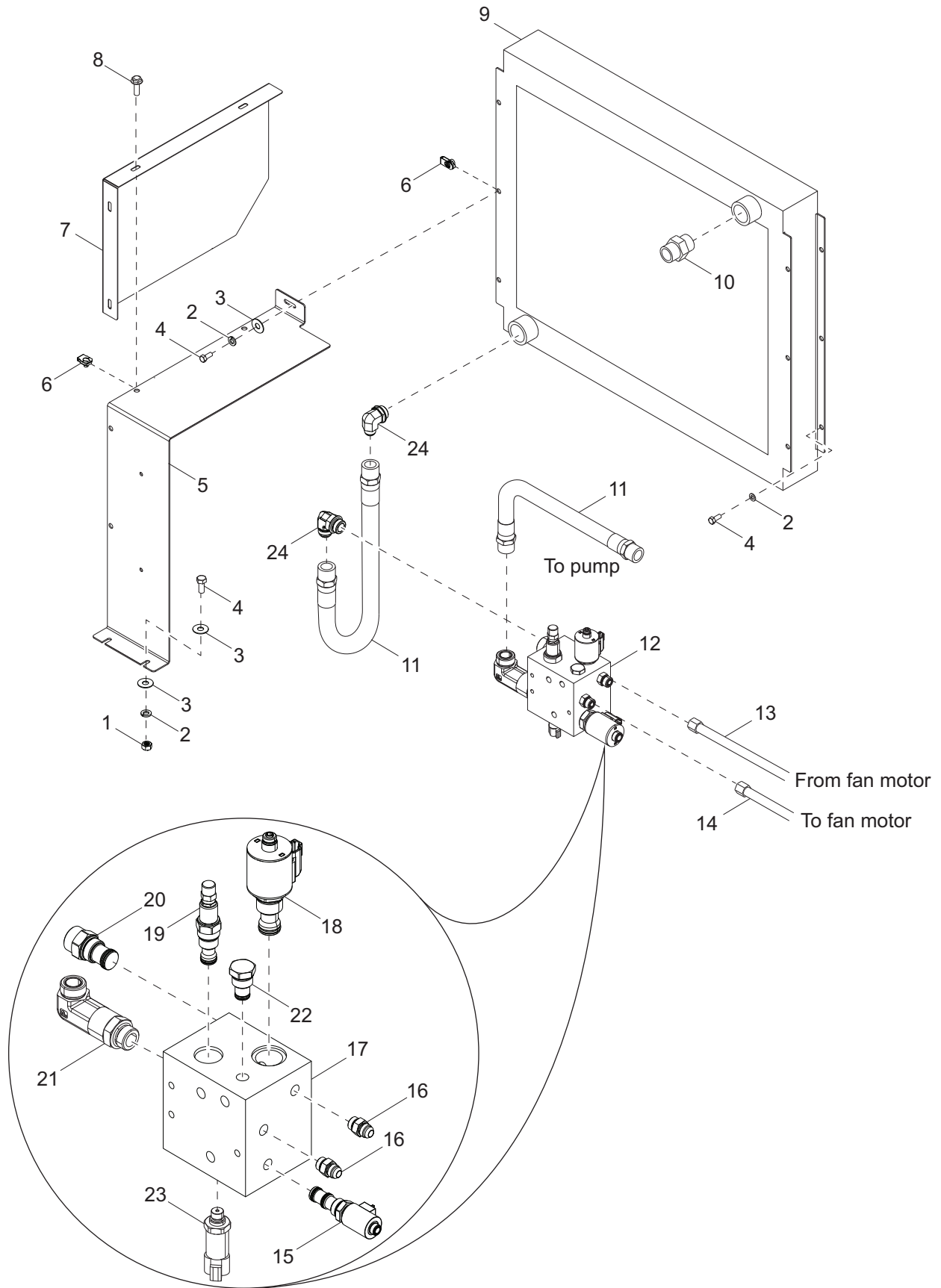


02983

HYDRAULIC TANK ASSEMBLY

Item	Part No.	Qty	Description	Notes
1	3021161	1	FITTING, TEE -8 RUN MALE	
2	3021153	1	HOSE, PUMP CASE DRAIN	
3	3021143	1	TUBE, MOTOR CASE DRAIN	
4	MAC3597	1	BREATHER, TANK	
5	MAC4098	1	FITTING, 90° ELBOW 1.00" - BLACK PIPE	
6	51784	1	FITTING, NIPPLE 1.00NPT X 3.50	
7	A0000214944	1	WELDMENT, HYDRAULIC TANK	
8	MAC3621	1	STRAINER	
9	MAC3700	1	PLUG, HYDRAULIC TANK	
10	A0000300698	1	WALL MOUNT, HYDRAULIC TANK	
11	60340	2	WASHER, .312 FLAT .875/.040 - SS	
12	60687	2	SCREW, .312-18 X .750 STANDARD HEX - SS	
13	60696	2	WASHER, .250 FLAT .625/.050 - SS	
14	60684	2	SCREW, .250-20 X .875 STANDARD HEX - SS	
15	MAC3561	1	INDICATOR / SWITCH. TANK LEVEL	
16	60386	2	WASHER, .375 FLAT .993/.064	
17	60205	2	SCREW, .375-16 X 1.00 STANDARD HEX, G5	
18	60702	4	WASHER, .500 SPLIT LOCK - SS	
19	61190	4	SCREW, .500-13 X 1.00 STANDARD HEX - SS	
20	A0000072045	1	FITTING, STRAIGHT .500MNPT X .500ORB	
21	MAC3737	1	VALVE, BALL 8 ORB	
22	42197	1	FITTING, #8 ORBM TO .500HOSE BARB	
23	MAC3521	1	FILTER, 7 MICRON	
24	MAC4165	1	TRANSMITTER, TEMPERATURE	
25	MAC3574	2	FITTING, NIPPLE	
26	MAC3551	2	ASSEMBLY, FILTER HEAD	
27	MAC3522	1	FILTER, 9 MICRON	
28	3021159	1	FITTING 90 DEG FF -16 X -20	
29	A0000416905	1	BRACKET, FILTER	
30	60515	4	NUT, .312-18 HEX - SS	
31	60701	4	WASHER, .312 SPLIT LOCK - SS	
32	3021144	1	TUBE, RETURN 1.00 X .095 HEAT EXCHANGE	
33	MAC3854	1	STRAINER	on tank back

HYDRAULIC HEAT EXCHANGER ASSEMBLY

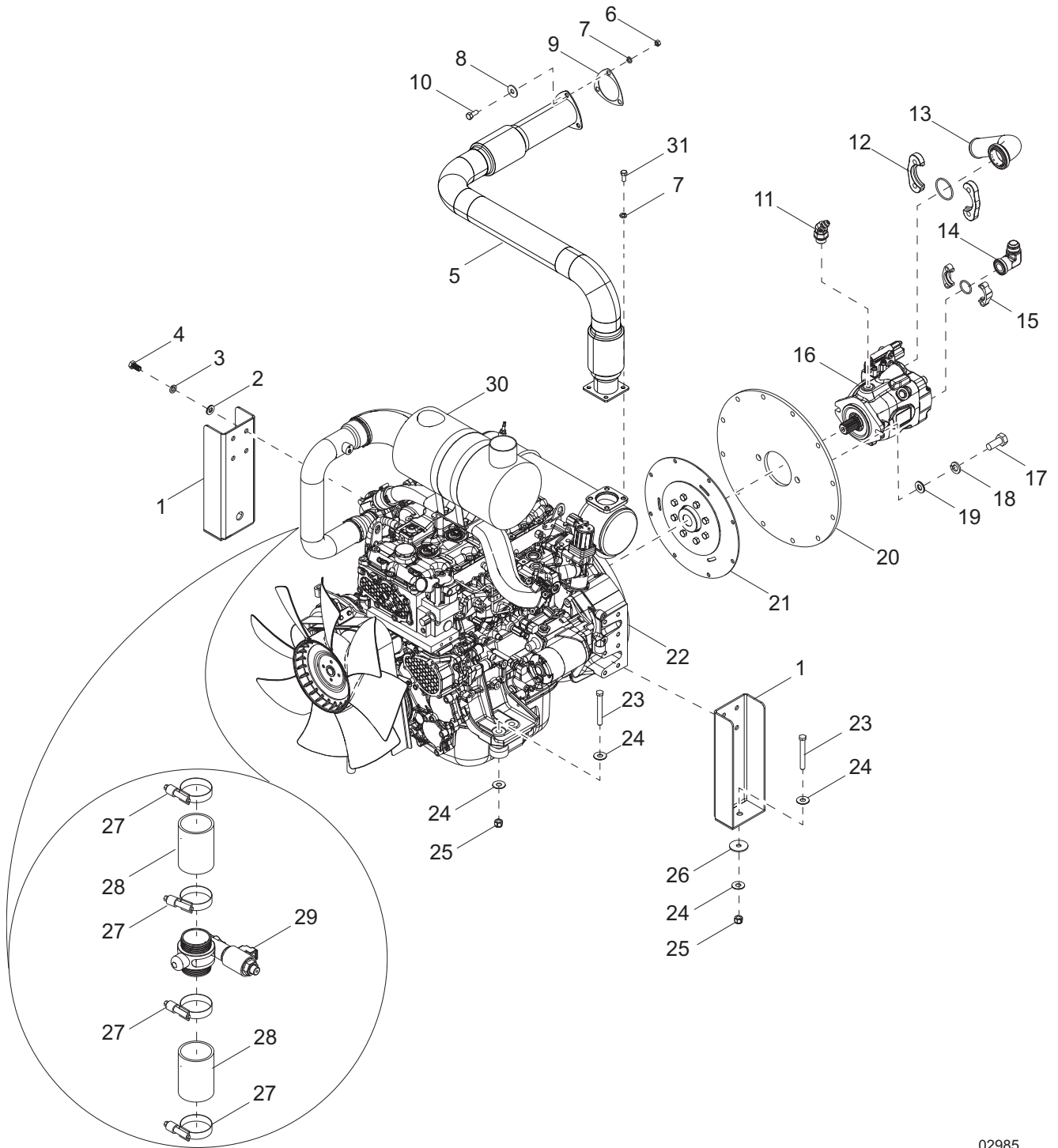


02925

HYDRAULIC HEAT EXCHANGER ASSEMBLY

Item	Part No.	Qty	Description	Notes
1	60515	2	NUT, .312-18 HEX - SS	
2	60701	11	WASHER, .312 SPLIT LOCK - SS	
3	60340	22	WASHER, .312 FLAT .875/.040 - SS	
4	60690	2	SCREW, .375-16 X 1.00 STANDARD HEX - SS	
5	A0005183839	1	STW HOSE SHIELD BRACKET	
6	62086	1	NUT, .312-18 U-CLIP - SHORT TYPE	
7	A0005183845	1	STW HOSE SHIELD COVER	
8	60507	1	SCREW, .312-18 X 1.00 STANDARD HEX - SS	
9	MAC3576	1	HYDRAULIC HEAT EXCHANGER	
10	3021158	1	FITTING, STRAIGHT -16 X 16 FF	
11	3021156	2	HOSE, PUMP OUTLET/INLET	
12	3021167	1	ASSEMBLY, HYDRAULIC MANIFOLD	
13	3021141	1	TUBE, MOTOR RETURN	
14	3021142	1	TUBE, MOTOR SUPPLY	
15	A0002384132	1	VALVE FLOW CONTROL PV76 W DEUTSCH	
16	A0005346725	2	FITTING STRT #8 ORBM X #8 ORFS	
17	A0000115601	1	BLOCK, HYDRAULIC MANIFOLD	
--	A0003888149	1	BLOCK HYD MANIFOLD IRON	Optional
18	A0005458297	1	VALVE ASSY HEAT COIL 500F/750F	Incl: 3020920 coil
19	MAC3758	1	MAIN RELIEF CARTRIDGE (SYSTEM SAFETY)	
20	A0000115924	1	VALVE, CHECK 225 PSI	
21	3021165	1	FITTING, 90° FF - LONG	
22	A0005344667	1	CHECK VALVE FAN MOTOR	
23	MAC4260	1	5.00 PSI PRESSURE TRANSDUCER	
24	3021159	2	FITTING, 90° -16 X -20 FF	

ENGINE ASSEMBLY

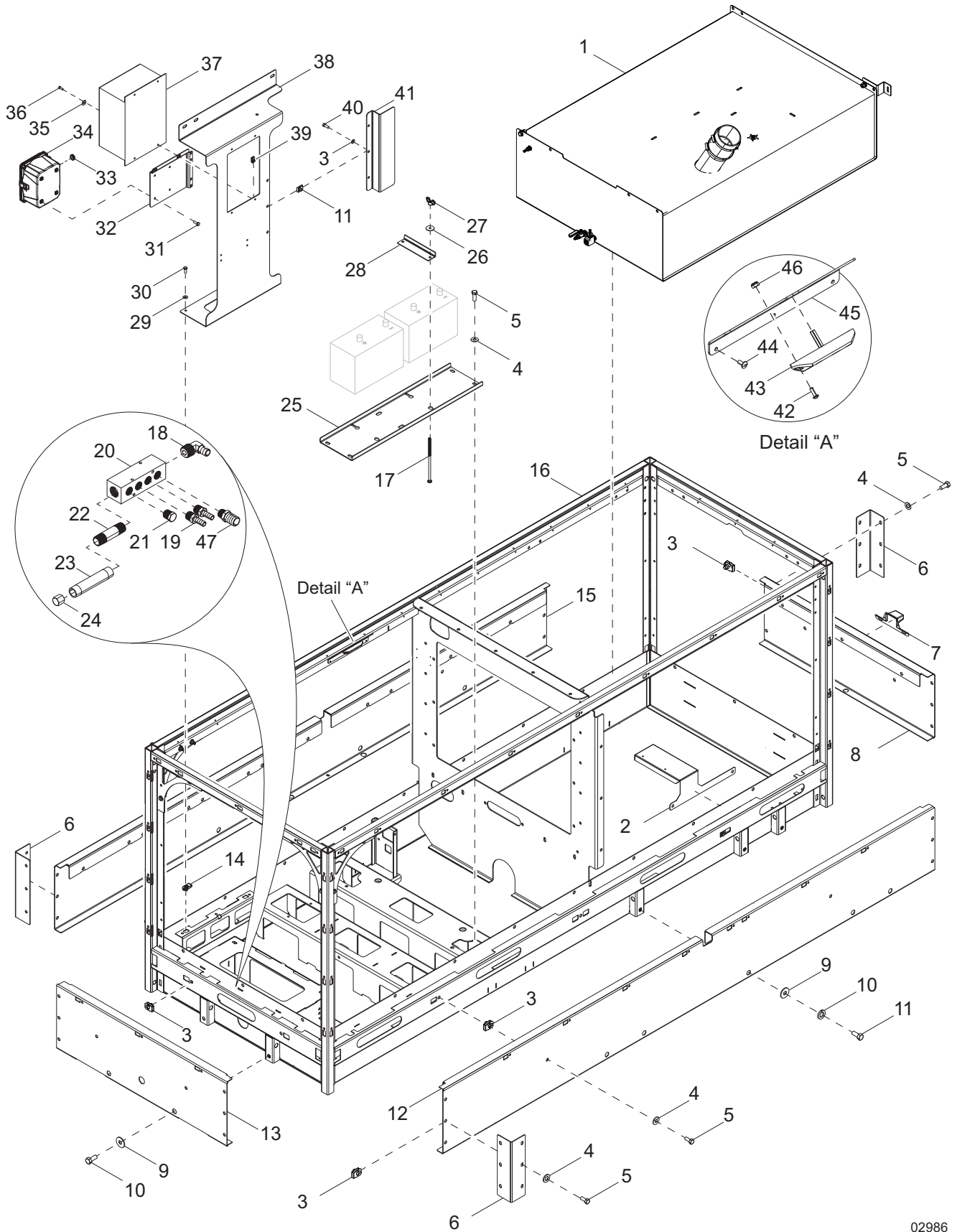


02985

ENGINE ASSEMBLY

Item	Part No.	Qty	Description	Notes
1	A0000348682	2	ENGINE CHANNEL, REAR	
2	60670	12	WASHER, .500 FLAT 1.060/.110, G8	
3	60204	12	WASHER, .500 SPLIT LOCK	
4	62277	12	SCREW, M12-1.75 X 25 STANDARD HEX, G10.9	
5	A0000499164	4	ASSEMBLY, EXHAUST	
6	60140	3	NUT, .375-16 HEX, G5	
7	G022237	7	WASHER, .375 SPLIT LOCK	
8	60698	7	WASHER, .375 FLAT .416/.820	
9	MAC3831	1	GASKET, EXHAUST 3.00	
10	60205	3	SCREW, .375-16 X 1.00 STANDARD HEX, G5	
11	3021157	1	FITTING, 45° FF	
12	MAC3938	1	KIT, 2.00 SPLIT FLANGE	
13	MAC3855	1	HOSE, 90° SPLIT FLANGE 2.00	
14	A0000344868	1	FITTING, 16-20 FLANGE - CODE 62	
15	3021166	1	FITTING, 390-16-16 SPLIT FLANGE FF	
16	3020815	1	PUMP, 63CC	
17	60467	2	SCREW, .625-11 X 2.00 STANDARD HEX, G8	
18	61023	2	WASHER, .625 SPLIT LOCK	
19	60180	2	WASHER, .625 FLAT 1.750/.10-.16 - SS	
20	A0000527692	1	PLATE, PUMP MOUNT	includes hardware
21	A0000181059	1	COUPLER, FLYWHEEL	
22	3020931	4	ASSEMBLY, ENGINE 4JJ1TABW-01 - T4	
23	60983	6	SCREW, .500-13 X 3.00 STANDARD HEX, G5	
24	60416	12	WASHER, .500 FLAT, 1.375/.090 - SS	
25	62221	4	NUT, .500-13 NYLOCK, G5	
26	18085	6	WASHER, .510 SNUB 2.00/,130	
27	60666	4	CLAMP, HOSE - CONSTANT TORQUE - 1.75-2.625	
28	28540	2	HOSE, CAC 2.00" X 4.00" LONG	
29	A0000019099	1	VALVE, PAS 2.00" DIAMETER ESD-24V	
30	3020571	1	HOUSING AIR CLEANER	
31	61082	4	SCREW, M8-1.25X20 STD HEX G8.8	
--	3023369	1	HOOD, AIR CLEANER	
--	3020798	1	COVER, AIR FILTER	included w/ 3020571

CONTAINMENT / ENCLOSURE FRAME ASSEMBLY

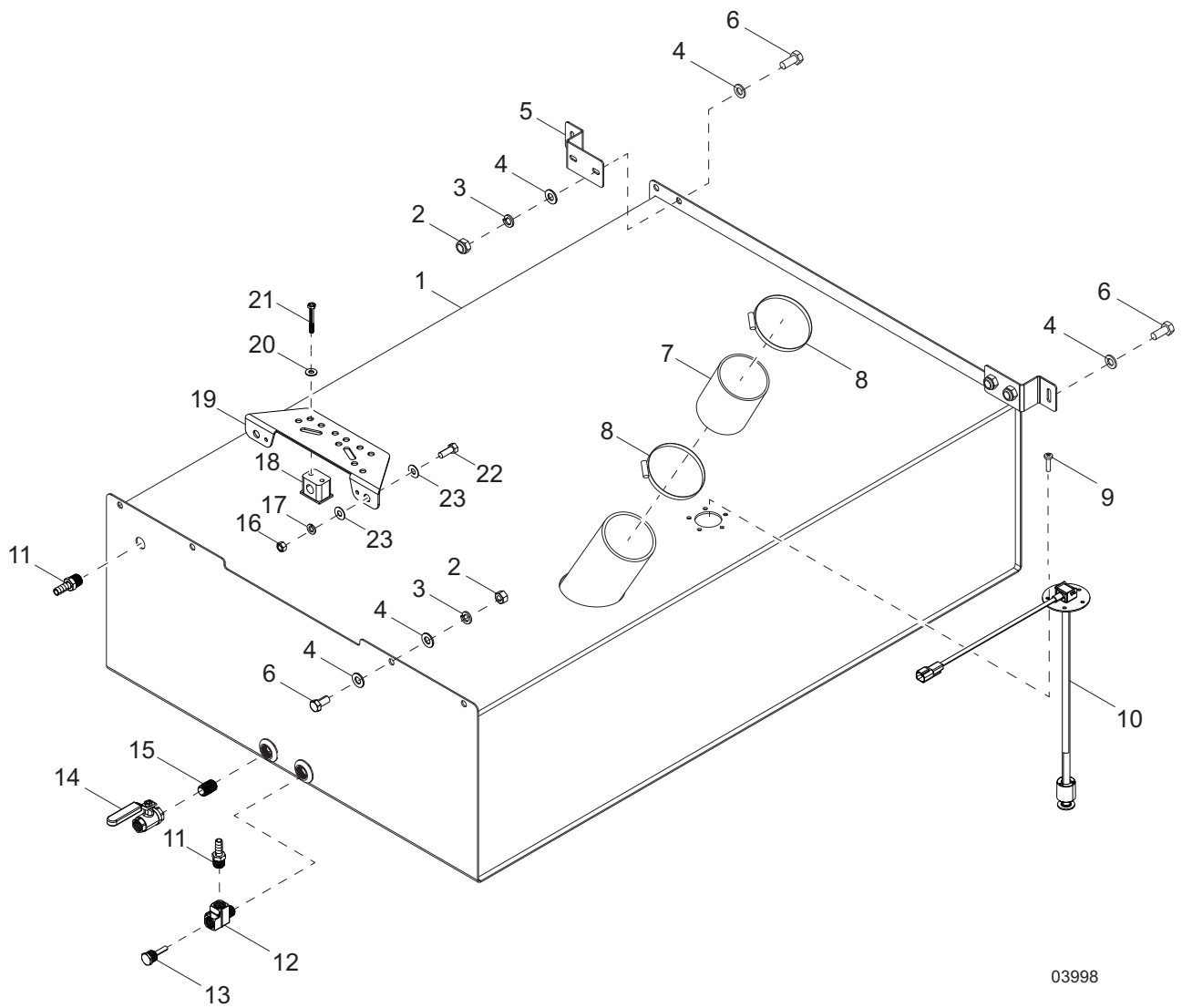


02986

CONTAINMENT / ENCLOSURE FRAME ASSEMBLY

Item	Part No.	Qty	Description	Notes
1	10000038437	1	WELDMENT, FUEL TANK	
2	A0000374787	1	COVER, FUEL SENDING UNIT	
3	60727	40	NUT, .375-16 U-CLIP - SHORT TYPE	
4	60698	46	WASHER, .375 FLAT .875/.040 - SS	
5	60690	40	SCREW, .375-16 X 1.00 STANDARD HEX - SS	
6	A0000210067	4	CAP, CORNER - BOTTOM	
7	A0000212765	1	ASSEMBLY, LED LIGHT 12/24VDC	
8	A0000210066	1	WELDMENT, REAR PANEL - BOTTOM	
9	60700	14	WASHER, .500 FLAT 1.250/.060 - SS	
10	60702	14	WASHER, .500 SPLIT LOCK - SS	
11	60683	14	SCREW, .500-13 X 1.500 STANDARD HEX - SS	
12	A0000210064	1	ASSEMBLY, PANEL BOTTOM - LH	
13	A0000210065	1	WELDMENT, PANEL BOTTOM - FRONT	
14	62086	3	NUT, .312-18 U-CLIP - SHORT TYPE	
15	A0000210063	1	ASSEMBLY, PANEL BOTTOM - RH	
16	A0000499165	1	ASSEMBLY, CONTAINMENT	
17	3023511	4	BOLT, CARRIAGE .375-16 X 10.00	
18	MAC3811	1	FITTING, 90° .500NPTM X .500 BARB	
19	MAC3809	2	FITTING, .375NPTM X .375 BARB	
20	MAC3800	1	MANIFOLD, DRAIN	
21	MAC3822	1	PLUG, .375 NPT	
22	40737	1	FITTING, NIPPLE .500NPT X 3.00	
23	40738	1	FITTING, NIPPLE, PIPE-.500NPTX4.000	
24	3020923	1	1/2 IN GALVANIZED STEEL CAP	
25	3023222	1	PAN, BATTERY - DUAL	
26	60089	4	WASHER, .265 FENDER 1.250/.060	
27	12927	4	NUT, .375-16 WING - SS	
28	A0000348521	2	BRACKET, BATTERY HOLD-DOWN	
29	60206	3	WASHER, .375 SPLIT LOCK	
30	60205	6	SCREW, .375-16 X 1.00 STANDARD HEX, G5	
31	60277	4	SCREW, 10-32 X .500 PAN PHILLIPS, G2	
32	52634W	1	BRACKET, MOUNTING PAS CONTROL BOX	
33	29653	2	GROMMET, .563ID X .125 - RUBBER	
34	52636	1	BOX, CONTROL	
35	60243	4	WASHER, .250 FLAT .735/.060 - SS	
36	60281	4	SCREW, .250-20 X .750 STANDARD HEX, G5	
37	10000039036	1	BOX, CONTROL	
38	A0000165704	1	MOUNT, CONTROL BOX - COMMON	
39	61143	4	NUT, .250-20 U-CLIP - SHORT TYPE	
40	60205	3	SCREW, .375-16 X 1.00 STANDARD HEX, G5	
41	A0000165708	1	ALTERNATOR GUARD	
42	60526	2	SCREW, 8-32X.500 PAN PHIL G2	
43	A0000199401	1	LED OVAL DOME LIGHT 178W WHITE 12-24V	
44	60268	3	RIVET, .188 DIA X .126 TO .250 GRIP	
45	A0000199404	1	ALW BRACKET LED MOUNTING	
46	60270	2	NUT, 8-32 NYLK G 6.0	
47	MAC3946	1	3/4 IN HOSE BARB X 3/8 IN NPTM	

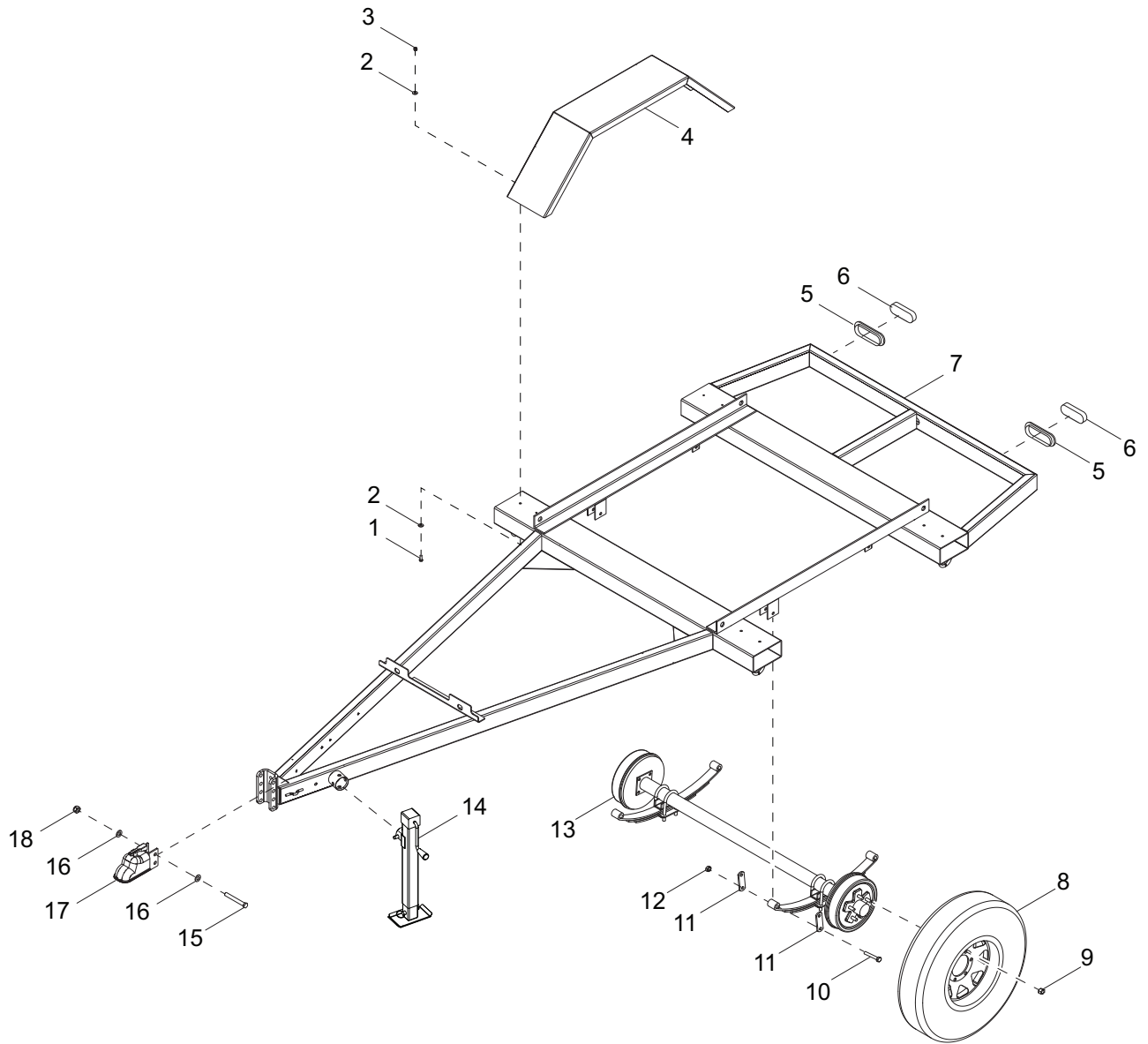
TANK ASSEMBLY



TANK ASSEMBLY

Item	Part No.	Qty	Description	Notes
1	3021216	1	WELDMENT, FUEL TANK	
2	61093	8	NUT, .500-13 HEX G8	
3	60276	8	WASHER, .500 SPLIT LOCK	
4	60309	16	WASHER, .500 FLAT 1.060/.090	
5	3021219	2	FUEL TANK HOLD DOWN	
6	60275	8	SCREW, .500-13X1.000 STD HEX G5	
7	MAC3645	1	HOSE, 4.50 ID - RUBBER	
8	20182	2	CLAMP, HOSE SAE 088 (4.09-6.00)	
9	60062	5	SCREW, 10-32 X .750 PAN PHILLIPS, G2	
10	MAC3978	1	FUEL SENDING UNIT, 14.50 INCH	
11	MAC3809	2	3/8 IN NPTM x 3/8 IN BARBED FITTING	
12	22602	1	FITTING, TEE-.375MNPTXFNPTXFNPT BRS	
13	3021914	1	FUEL TANK TEMP SENDING UNIT	
14	MAC3821	1	3/8 IN BRASS BALL VALVE	
15	25922	1	FITTING, NIPPLE, PIPE-.375NPTXCLOSE BRS	
16	60140	2	NUT, .375-16 HEX G5	
17	G022237	2	WASHER LOCK 3/8	
18	3020521	3	5/8 IN TUBELINE CLAMP	
19	A0000374788	1	STMW 550F SEAL WALL HOSE CLAMP BRACKET	
20	112381	6	WASHER-FLAT 1/4 USS	
21	60824	6	SCREW, .250-20X2.000 STD HEX 18-8 SS	
22	60205	2	SCREW, .375-16X1.000 STD HEX G5	
23	60698	4	WASHER, .375 FLAT .875/.040 18-8 SS USS	

TRAILER ASSEMBLY

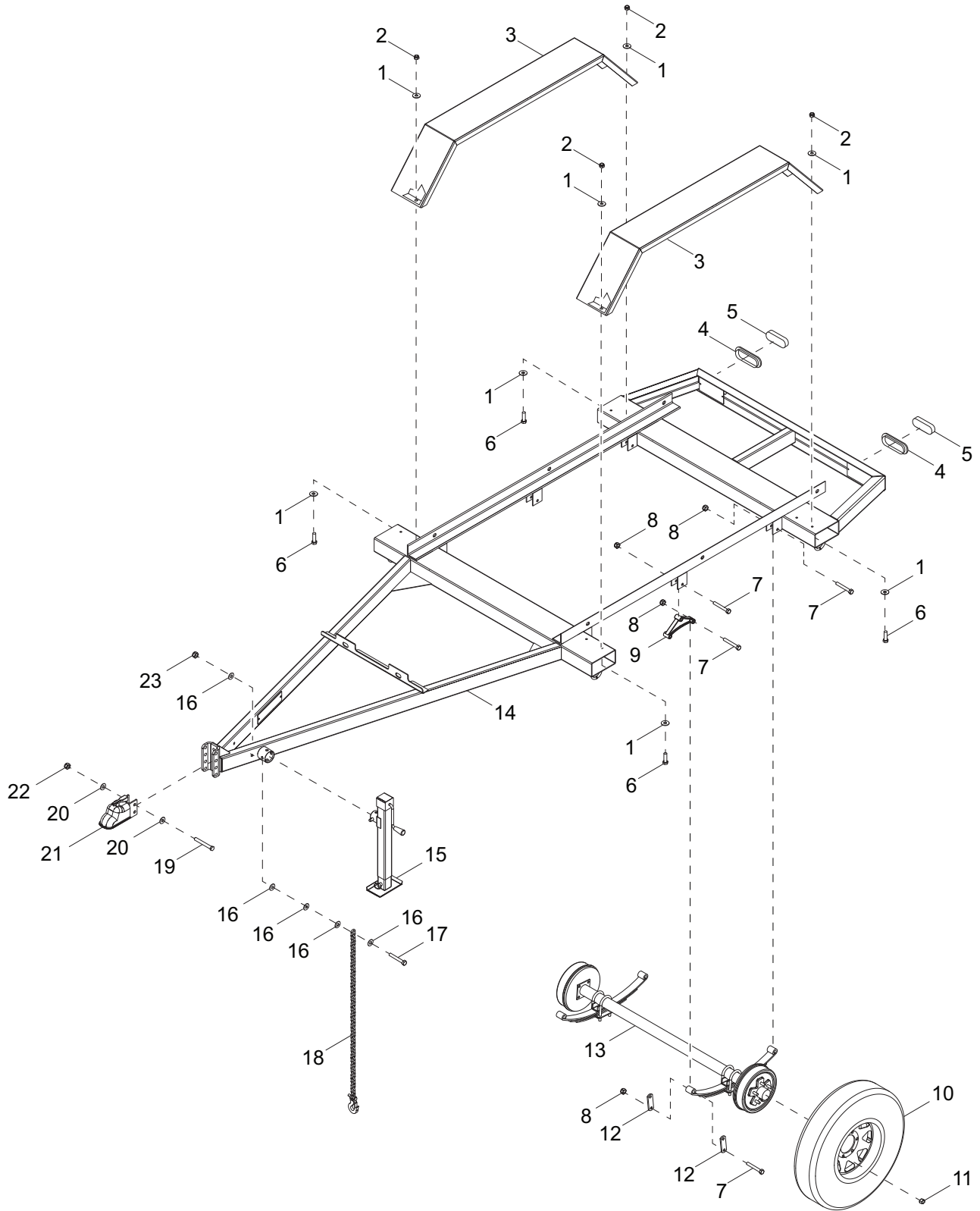


02987

TRAILER ASSEMBLY

Item	Part No.	Qty	Description	Notes
1	60690	8	SCREW, .375-16 X 1.00 STANDARD HEX, SS	
2	60386	16	WASHER, 375 FLAT .993/.064	
3	60792	8	NUT, .375-16 NYLOCK - SS	
4	10000046334	2	WELDMENT, FENDER	
5	MAC3637	2	GROMMET, 6.00 OVAL	
6	MAC4083	2	LIGHT, 6.00 OVAL LED STOP/TURN/TAIL	
7	10000045970	1	WELDMENT, TRAILER	
8	20374B	2	WHEEL, ST235/80R16 - BLACK	
9	60096	10	NUT, .500-20 LUG, G5	
10	60503	6	SCREW, SHACKLE - .562-18 X 3.0 STD HEX, G5	
11	19637	2	PLATE, SHACKLE BRACKET	
12	60504	6	NUT, .562-18 LOCK, G5	
13	MAC0594	1	ASSEMBLY, AXLE 6000 LB - 48"	
14	3020800	1	JACK, SQUARE DROP LEG - 8000 LB	
15	3023517	2	SCREW, .625-11 X 5.25 STANDARD HEX, G8	
16	3023540	4	WASHER, .625 X 1.750OD	
17	19519	1	COUPLER, 2.31 IN. BALL	
18	3023497	2	NUT, .625-11 NYLOCK, G8	

TANDEM TRAILER ASSEMBLY (IF EQUIPPED)

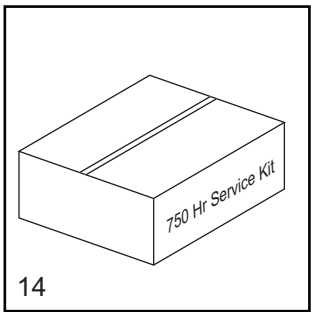
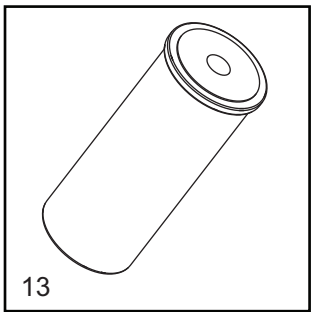
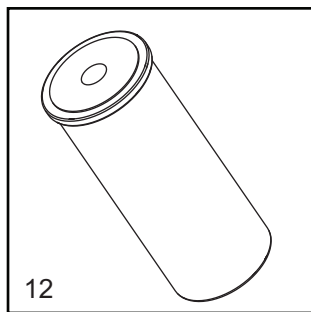
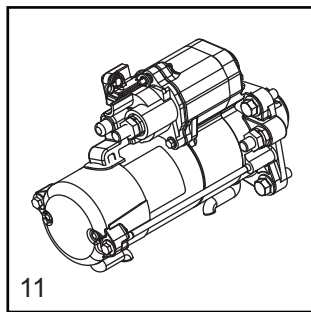
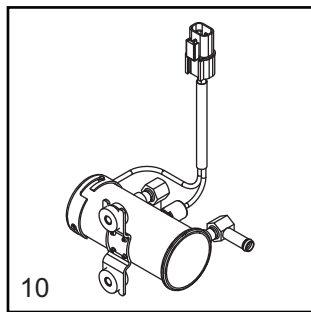
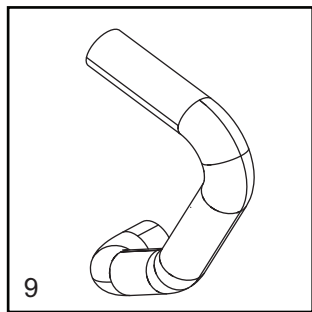
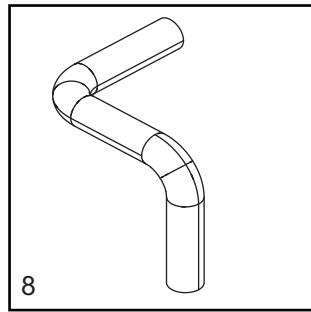
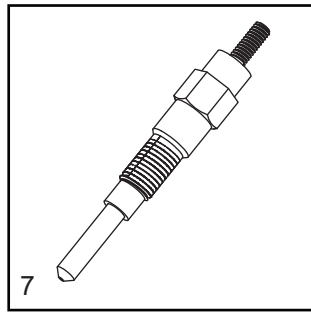
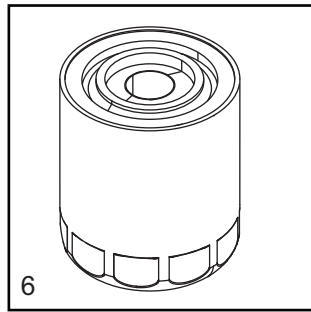
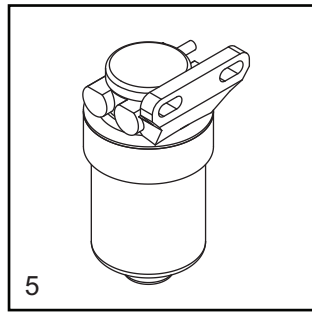
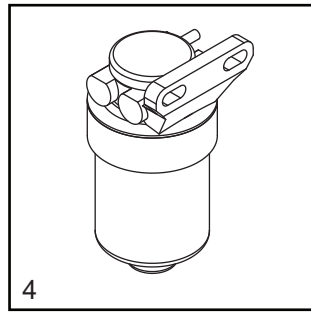
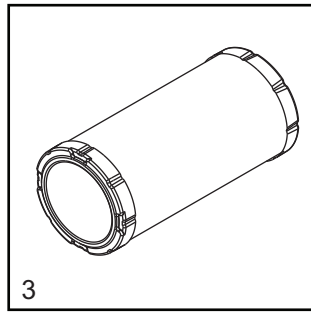
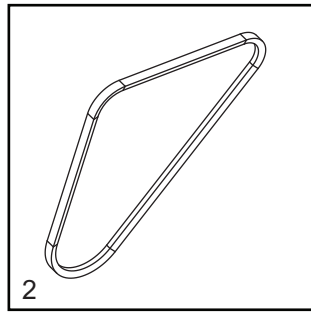
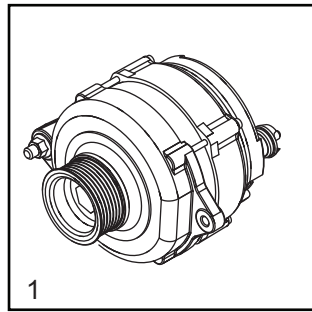


02988

TANDEM TRAILER ASSEMBLY (IF EQUIPPED)

Item	Part No.	Qty	Description	Notes
1	60386	16	WASHER, .375 FLAT .993/.064	
2	60358	8	NUT, .375-16 NYLOCK, G5	
3	10000046846	2	FENDER	
4	MAC3637	2	GROMMET, 6.00 OVAL	
5	MAC4083	2	LIGHT, 6.00 OVAL LED STOP/TURN/TAIL	
6	61036	8	SCREW, .375-16 X 1.250 STANDARD HEX - SS	
7	60503	14	SCREW, SHACKLE - .562-18 X 3.0 STD HEX, G5	
8	60504	14	NUT, .562-18 LOCK, G5	
9	40545	2	EQUALIZER, 5.625 CENTERS	
10	18377B	4	WHEEL, ST225/75R15 - BLACK	
11	60096	24	NUT, .500-20 LUG, G5	
12	19637	8	PLATE, SHACKLE BRACKET	
13	MAC0594	2	ASSEMBLY, AXLE 6000 LB - 48"	
14	10000046939	1	WELDMENT, TRAILER	
15	3020800	1	JACK, SQUARE DROP LEG - 8000 LB	
16	60309	10	WASHER, .500 FLAT 1.060/.090	
17	60390	2	SCREW, .500-13 X 3.50 STANDARD HEX, G5	
18	23367	2	CHAIN, SAFETY 7800 LBS RATED	
19	3023517	2	SCREW, .625-11 X 5.50 STANDARD HEX, G8	
20	3023540	4	WASHER, .625 FLAT	
21	MAC0069	1	COUPLER, 2.31 IN. BALL	
22	3023497	2	NUT, .625-11 NYLOCK, G8	
23	62221	2	NUT, .500-13 NYLOCK, G5	

RECOMMENDED SPARE PARTS - ENGINE



RECOMMENDED SPARE PARTS - ENGINE

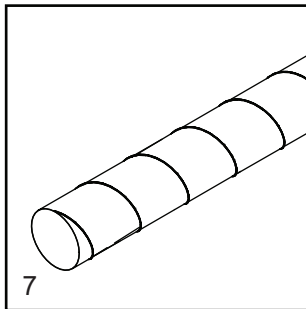
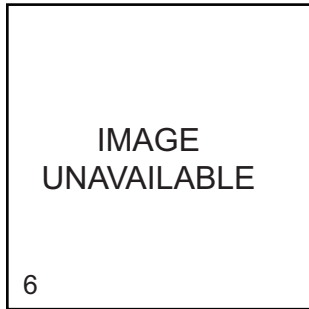
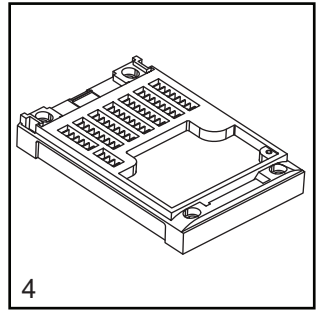
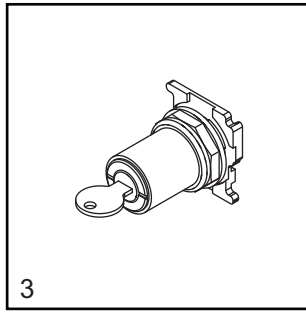
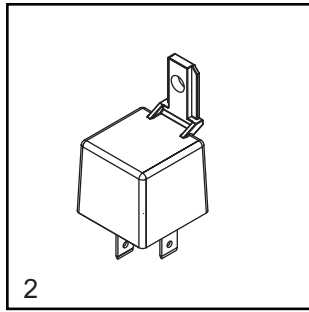
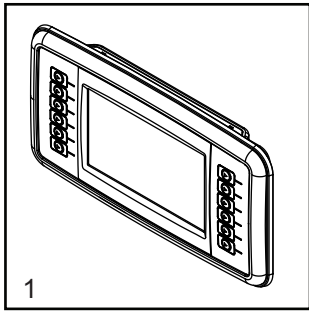
1. ALTERNATOR	MAC4033
2. BELT, FAN	3020945
3. FILTER, AIR.....	MAC4036
4. FILTER, FUEL - PRIMARY	MAC4028
5. FILTER, FUEL - SECONDARY	29773SRV
6. FILTER, OIL.....	MAC4026
7. GLOW PLUG	MAC4031
8. HOSE, RADIATOR - UPPER.....	3021010
9. HOSE, RADIATOR - LOWER.....	3021009
10. PUMP, FUEL.....	33764
11. STARTER	MAC4032
12. FILTER, 7 MICRON	MAC3521
13. FILTER, 9 MICRON	MAC3522

SERVICE KITS

14. 500 HOUR KIT.....	A0000322425
-----------------------	-------------

INCLUDES: AIR FILTER MAC4036, PRIMARY FUEL FILTER ELEMENT MAC4028, SECONDARY FUEL FILTER ELEMENT MAC4027, 7 MICRON FILTER MAC3521, 9 MICRON FILTER MAC3522 AND OIL FILTER MAC4026

RECOMMENDED SPARE PARTS - ELECTRICAL/DUCT



RECOMMENDED SPARE PARTS - ELECTRICAL /DUCT

1. DISPLAY	CALL
2. RELAY, 12V 30/50A N.O. W DIODE	68106
3. SWITCH, KEY INCLUDED	3020703
4. CONTROLLER, PROGRAMMED	CALL
5. SENSOR, AIR INTAKE/AMBIENT TEMPERATURE	3020941
6. SENDER, OUTLET AIR TEMPERATURE	MAC4165
7. BLACK DUCT, 12 INCH X 6° X 25'	MAC3348

Part No. A0000263975 Rev. D 03/05/2024

©2024 Generac Power Systems, Inc.
All rights reserved.
Specifications are subject to change without notice.
No reproduction allowed in any form without prior written consent
from Generac Power Systems, Inc.



Generac Power Systems, Inc.
S45 W29290 Hwy. 59, Waukesha WI 53189
GeneracMobileProducts.com | 844-ASK-GNRC | 844-275-4672