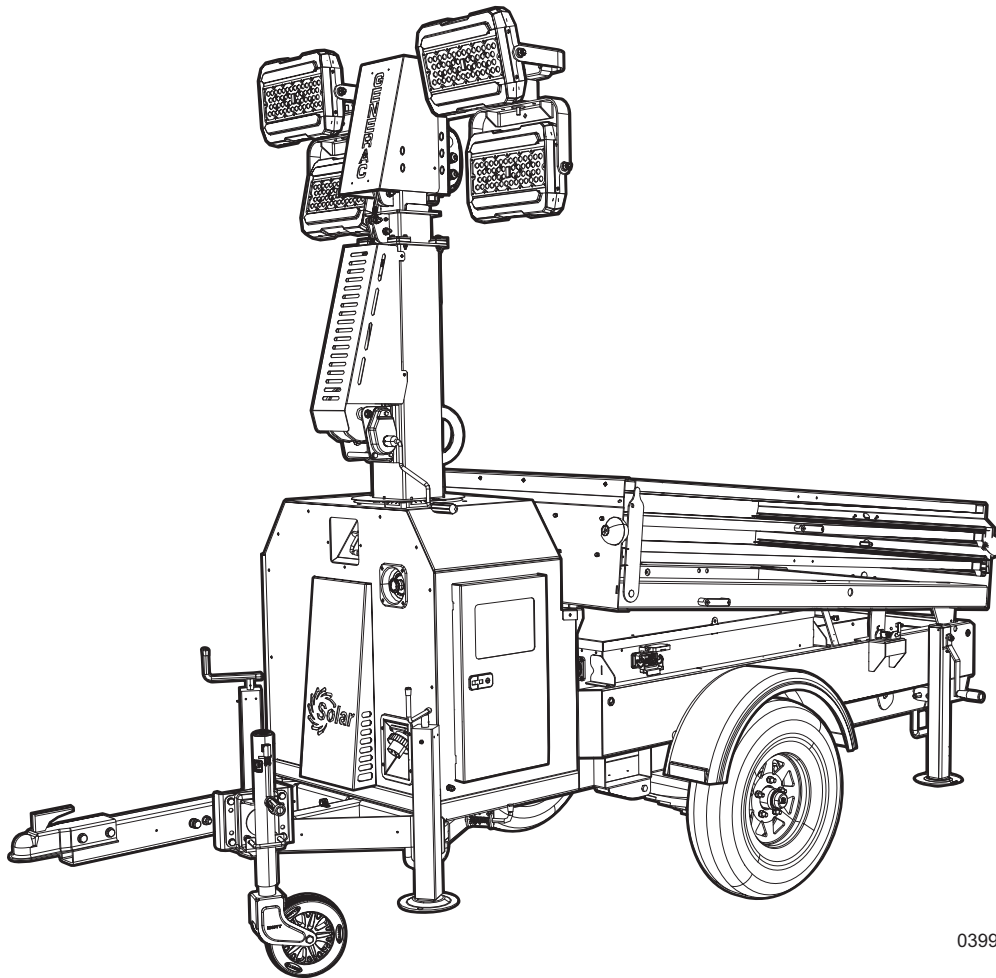


# ***VT-Solar v.1.5***

## *LED Light Tower Parts Manual*



03991

MODEL NUMBER: \_\_\_\_\_

SERIAL NUMBER: \_\_\_\_\_

DATE PURCHASED: \_\_\_\_\_

***SAVE THIS MANUAL FOR FUTURE REFERENCE***

 **WARNING**

**CANCER AND REPRODUCTIVE HARM**

[www.P65Warnings.ca.gov](http://www.P65Warnings.ca.gov)

(000393a)

 **WARNING**

Breathing diesel engine exhaust exposes you to chemicals known to the State of California to cause cancer and birth defects or other reproductive harm.

- Always start and operate the engine in a well-ventilated area.
- If in an enclosed area, vent the exhaust to the outside.
- Do not modify or tamper with the exhaust system.
- Do not idle the engine except as necessary.

For more information go to

[www.P65Warnings.ca.gov/diesel](http://www.P65Warnings.ca.gov/diesel)

(000394)

# Introduction

This parts manual was prepared based on the information available at the time of publication and is subject to change without notice. Generac Mobile Products reserves the right to change parts at any time. To check whether a revised parts manual is available, contact Generac Mobile Products.

DO NOT MODIFY or use this equipment for any application other than which it was designed for. To keep your equipment fully operational, it is suggested you maintain a stock of commonly used maintenance or service parts. A recommended spare parts list can be found in the back of this manual. To order service parts, please go to [www.generacmobileproducts.com](http://www.generacmobileproducts.com) or call Generac Mobile Products.



## **WARNING**

Consult Manual. Read and understand manual completely before using product. Failure to completely understand manual and product could result in death or serious injury. (000100a)

---

## **WARNING**

Environmental Hazard. Always recycle batteries at an official recycling center in accordance with all local laws and regulations. Failure to do so could result in environmental damage, death, or serious injury. (000228)

---

## **GENERAC MOBILE PRODUCTS LLC**

**215 Power Drive • Berlin, WI 54923 U.S.A.**

**Phone: 920-361-4442**

**FAX: 920-361-4416**

**Toll Free: 1-800-926-9768**

**[www.generacmobileproducts.com](http://www.generacmobileproducts.com)**

**For technical or parts QUESTIONS, contact Generac Mobile Products Technical Service at 1-800-926-9768.**

Engine Make: \_\_\_\_\_

Engine Serial Number: \_\_\_\_\_

Engine Model Number: \_\_\_\_\_

This Page Intentionally Left Blank

## Table of Contents

Introduction .....	iii
Parts Manual Instructions .....	1
Decals .....	2
Control Panel Assembly (1 of 2) .....	4
Control Panel Assembly (2 of 2) .....	6
Base Assembly .....	8
Fairing Assembly .....	10
Door Assembly .....	12
Inverter Door Assembly .....	14
Command Box Door Assembly .....	16
Mast Assembly .....	18
4 x 100W LED Lamp Assembly .....	20
Stabilizer Assembly .....	22
Plug Group CEE 230V .....	24
Rechargeable Battery Pack .....	26
Solar Panel Assembly .....	28
Trailer Assembly ..	30
Document Holder Group .....	32
Inverter/Charger Group .....	34
Recommended Spare Parts - Misc. ....	36

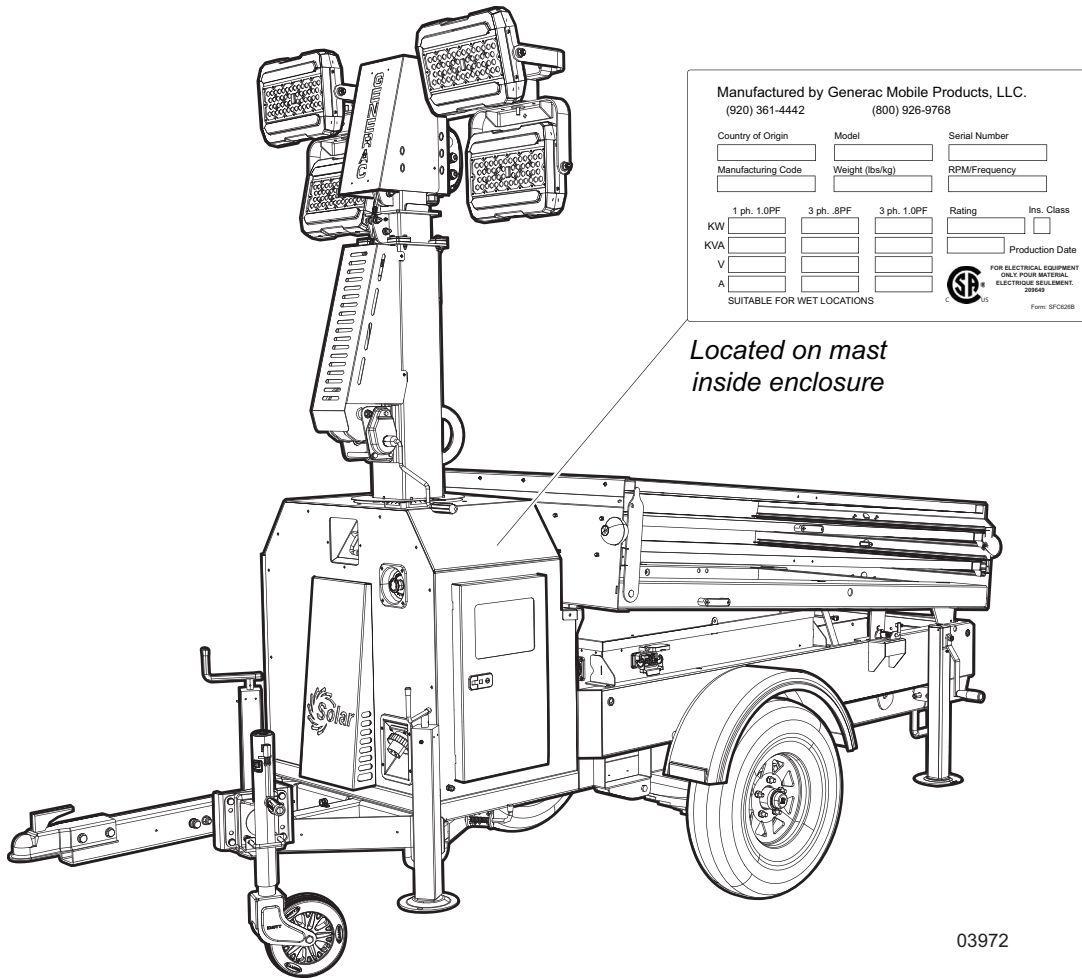


# Parts Manual Instructions

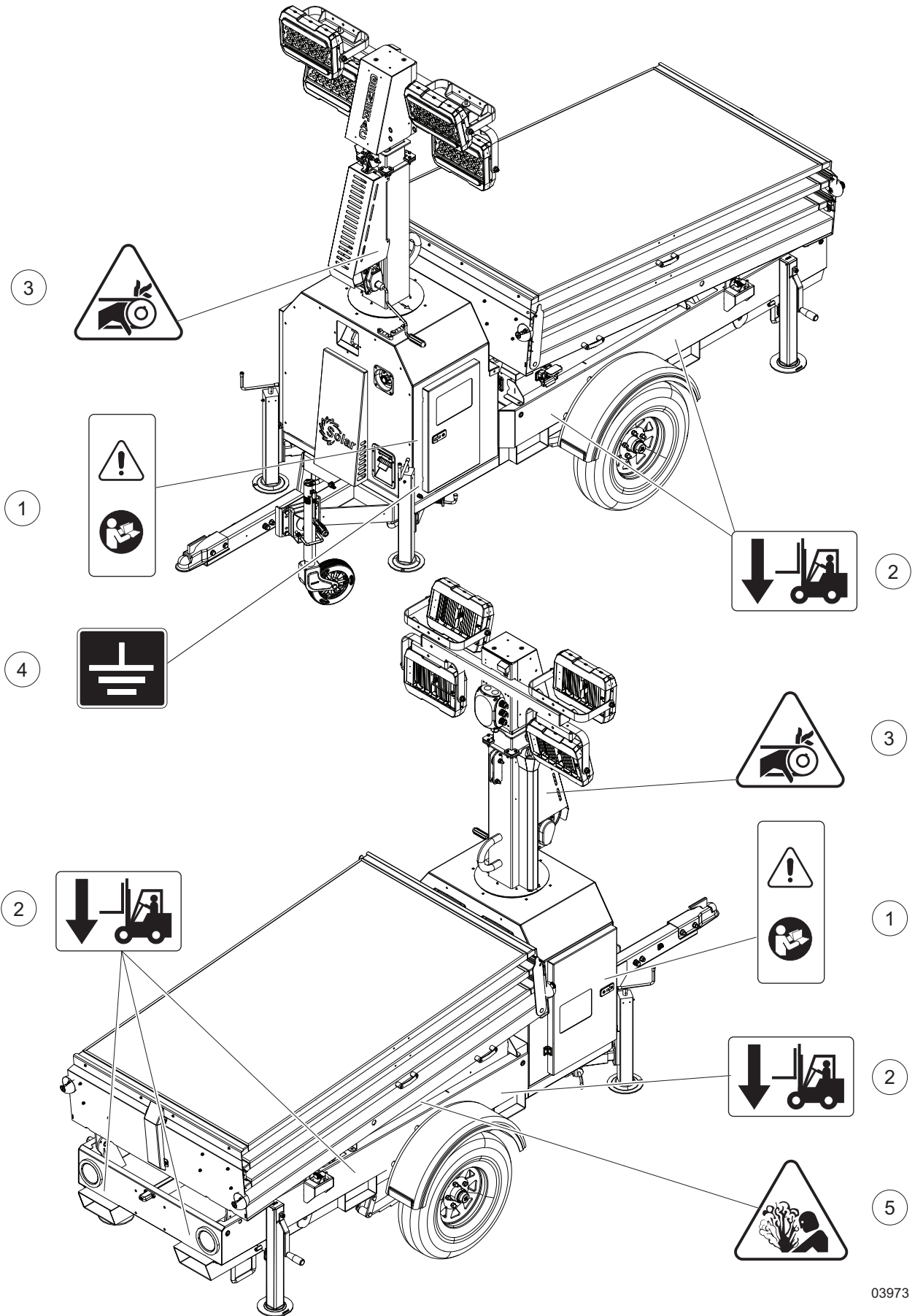
Product illustrations are only representations. Products supplied may vary from the illustrations in this parts manual. Parts not shown in the illustration are indicated by a double dash (--) in the item column.

Please be prepared to provide the following information when ordering replacement parts: model number, serial number (on unit serial tag), part number, purchase order number (if applicable), shipping address, shipping method.

Refer to the illustration below to locate the unit ID tag on the unit. Important information, such as the unit serial number, model number, and tire loading information are found on these tags. Record the information from these tags so it is available if the tags are lost or damaged. When ordering parts or requesting assistance, you may be asked to provide this information.



# DECALS



03973

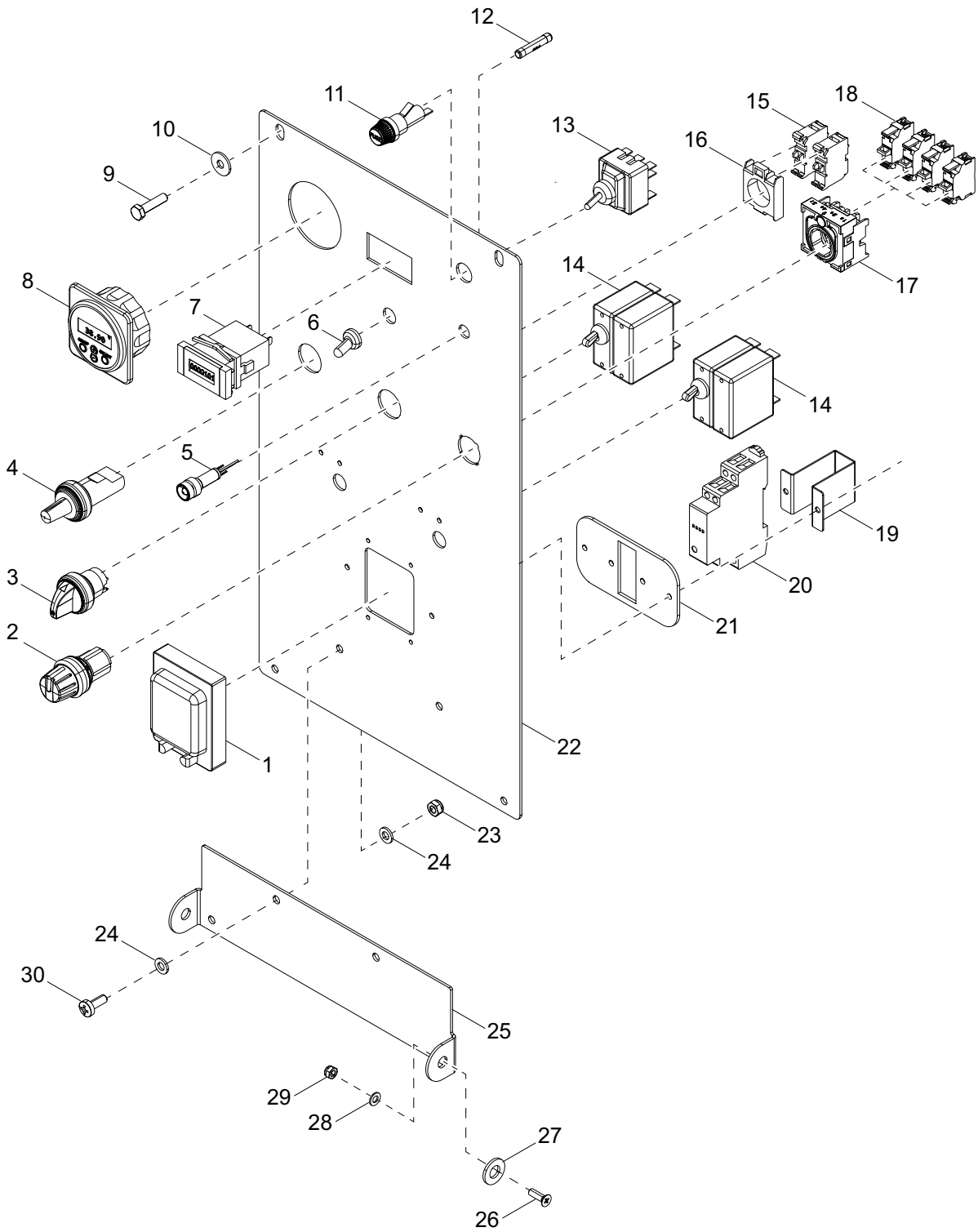


## DECALS

---

Item	Part No.	Qty	Description	Notes
1	A0000763414		DECAL-READ THE MANUAL	
2	A0000763413		DECAL-FORKLIFT	
3	A0000762098		DECAL-WARNING- PINCH POINT	
4	A0001584693		STICKER-GROUNDING-LT	
5	A0000762097		DECAL- DANGER POSSIBLE SPILLAGE OF CORROSIVE SUBSTANCES	

# CONTROL PANEL ASSEMBLY (1 OF 2)

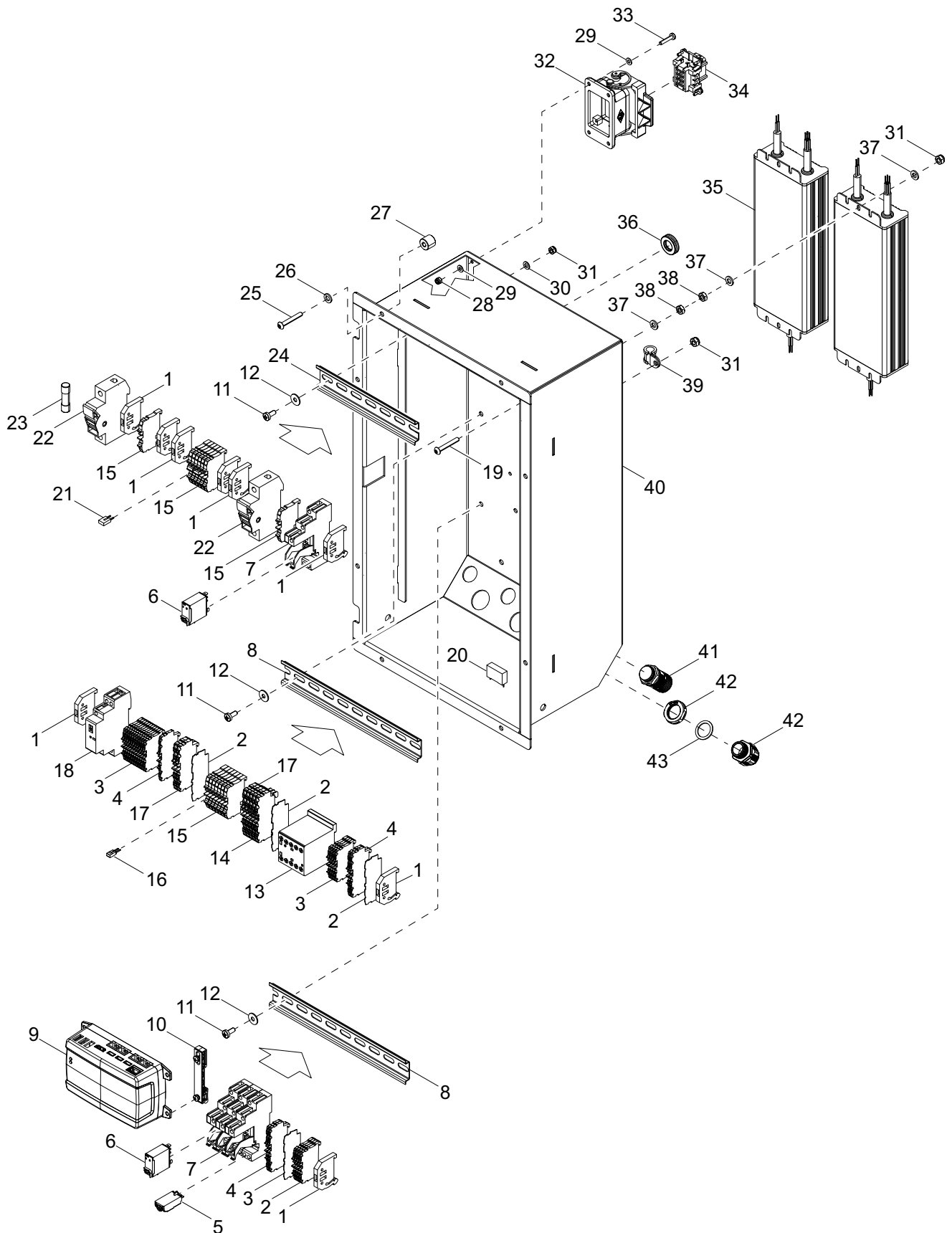


03974

## CONTROL PANEL ASSEMBLY (1 OF 2)

Item	Part No.	Qty	Description	Notes
1	A0004896018	1	PROTECTION CASE - 2 MODULES	
2	A0004898554	1	ROTATIVE SWITCH 4 - POSITION	
3	A0004896147	1	STABLE ON-OFF-ON LEVER SELECTOR	
4	A0004898529	1	ROTARY POTENTIOMETER	
5	A0004898548	1	12V RED INDICATOR LAMP -LED (ROUND)	
6	A0004895998	1	RUBBER CAP FOR SWITCH	
7	A0004947355	1	110V 60HZ HOUR METER WITH 48X24 ADAPTER	
8	A0004900038	1	BATTERY MONITOR BMV-700 9-90VDC	
9		4	SCREW, M6 X 25	
10		4	WASHER, 10.5 X 20 X .2 SS	
11	A0000717234	1	6.3X32 FUSE HOLDER	
12	A0004896150	1	10A 250V 6.3 X 32 UL/CSA CERAMICS FUSE	
13	A0004898537	1	3 POSITION 3-WAY DIVERTER	
14	A0005459530	2	BREAKER-20A 250V	
15	A0000717241	2	NO AUXILIARY CONTACT FOR IMPULSE BUTTON	
16	A0000717246	1	BUTTON BASE	
17	A0004898553	1	4 MODULES SUPPORT FOR 4-POS SWITCH	
18	A0004898556	4	NO CONTACT FOR 4 - POS. SELECTOR SWITCH	
19	A0004894212	1	BRACKET FOR 1P CIRCUIT BREAKER	
20	A0004896106	1	RELAY, 12V DC	
21	A0004895989	1	CIRCUIT BREAKER SUPPORT 1P	
22	A0004898549	1	FRONT PLATE WITH MANUAL MAST	
23		4	NUT, M10 ATB	
24	A0004407524	8	WASHER, M10 FLAT	
25	A0004897194	1	FRONT PANEL SUPPORT - BLACK	
26		2	SCREW, M5 X 20	
27		2	WASHER, M10 X 20 X .2 PLASTIC	
28	A0004407515	2	WASHER-M8-FLAT	
29		2	NUT, M8 ATB	
30		4	SCREW, PAN HEAD M X 16	

# CONTROL PANEL ASSEMBLY (2 OF 2)

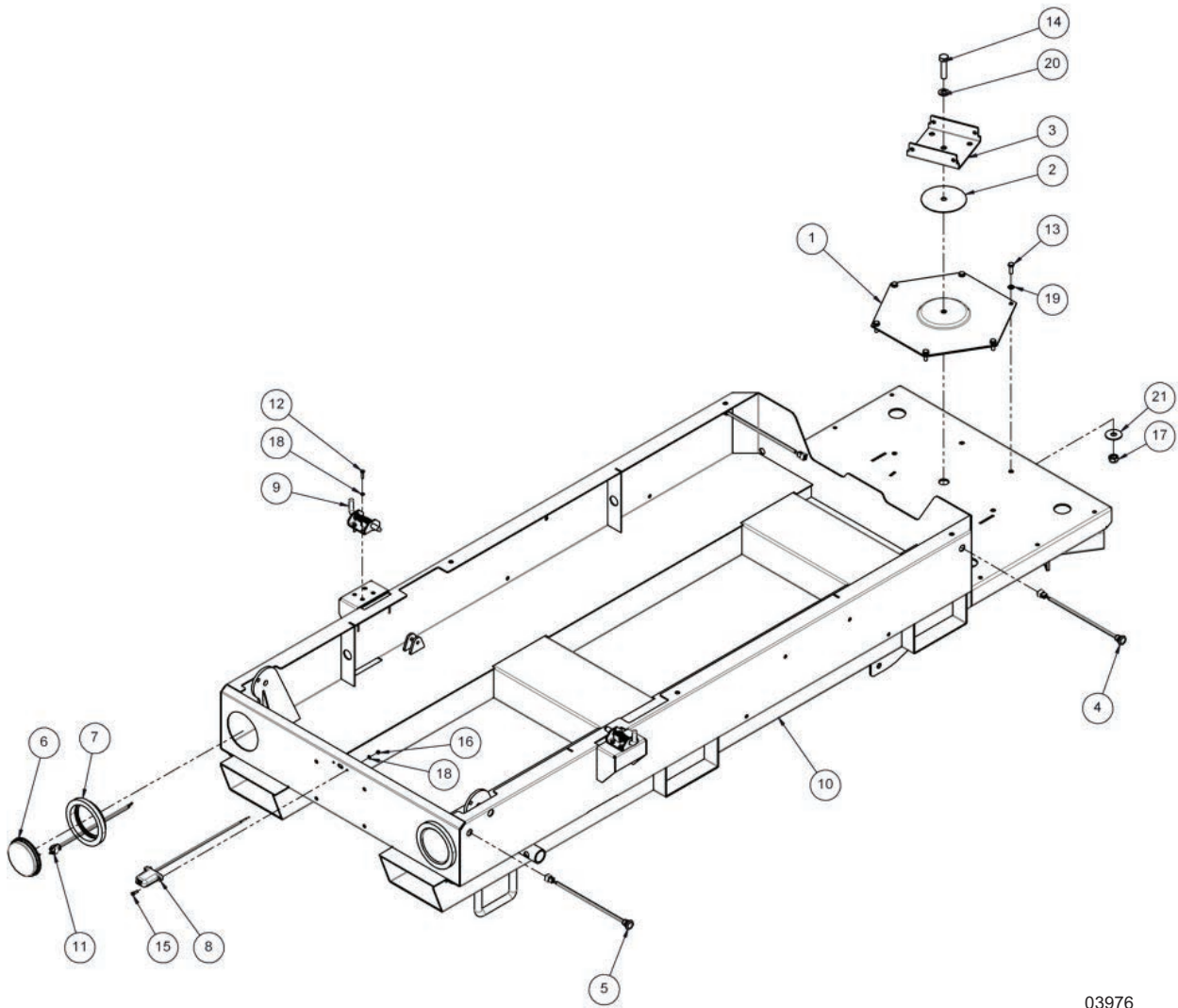


03975

## CONTROL PANEL ASSEMBLY (2 OF 2)

Item	Part No.	Qty	Description	Notes
1	A0000717530	6	STOP TERMINAL BOARD (PHOENIX TYPE 3-35)	
2	A0004897211	19	FEED THROUGH TERMINAL 2 CONDUCTORS	1.0MM GRAY
3	A0004897223	3	INTERMEDIATE END PLATE 4 CONDUCTORS	
4	A0004897213	3	FEED THROUGH TERMINAL 4 CONDUCTORS	1.0MM GRAY
5	A0004896036	3	S86 12/24V BI-FUNCTION TIMER MODULE	
6	A0000215359	3	END AND INTERMEDIATE PLATE (4MMQ CON)	
7	A0000745227	4	SOCKET, RELAY 1C	
8	A0004896008	2	DIN RAIL, 35 X 235	
9	A0004898543	1	SYSTEM CONTROLLER	
10	A0004897190	2	DIN 35 ADAPTER SMALL	
11		6	SCREW, M4 X 30 PHILLIPS PAN	
12		6	WASHER, PL 8,4 X 24 X 2 SS	
13	A0004896035	1	CONTACTOR, 4 PIN 20A 12V	
14	A0001079365	5	FEED THROUGH TERMINAL 4 CONDUCTORS	2.5MM YEL/GRN
15	A0000717538	14	FEED THROUGH TERMINAL 2 CONDUCTORS	2.5MM GRAY
16	A0000717549	1	CONNECTION, TERMINAL BOARD 2.5MM	2-WAY
17	A0001079364	2	FEED THROUGH TERMINAL 4 CONDUCTORS	2.5MM GRAY
18	A0000718230	1	CONTACTOR, MODULAR 12V AC/DC 25A	
19		8	SCREW, M4 X 25 TCCIC C4.8	
20	A0000216436	1	CAPACITOR, 100V	
21	A0004947357	1	CONNECTION, TERMINAL BOARD 1MM	2-WAY
22	A0001793683	2	FUSE HOLDER, MODULAR1P 10 X 38	
23	A0004896037	2	FUSE, 10A 500V 10 X 38	
24	A0004896008	1	DIN RAIL, 35 X 170	
25		8	SCREW TBEI M5 X 25 C 8.8	
26		15	WASHER, M6 FLAT SS	
27	A0004896113	8	SPACER, M6 X 13MM	
28		8	NUT, M6 HEX NYLOCK	
29		6	WASHER, M4 FLAT SS	
30		6	WASHER, M8 FLAT SS	
31		6	NUT, M8 NYLOCK	
32	A0004896016	1	BULKHEAD MOUNT, 6 POS W/LEVER	
33		4	SCREW, M4 X 20 PHILLIPS PAN	
34	A0004895993	1	INSERT, FEMALE 6 POS	
35	A0004897252	2	DRIVER LED 90-305VAC 320W 48V	
36	A0004897205	3	MEMBRANE, CABLE GLAND 21MM DIA	
37		12	WASHER, M6 FLAT SS	
38		8	NUT, M6 HEX	
39	A0004894200	1	CLAMP. M6	
40	A0004898578	1	ASSEMBLED COMMAND BOX NA - BLACK	
41	A0004896149	2	PANEL CONNECTOR, 5 PIN M20	
42	A0004896131	1	CABLE GLAND, M20 X 1.5 W/RING NUT	
43	A0000764115	1	GASKET, M20	

# BASE ASSEMBLY

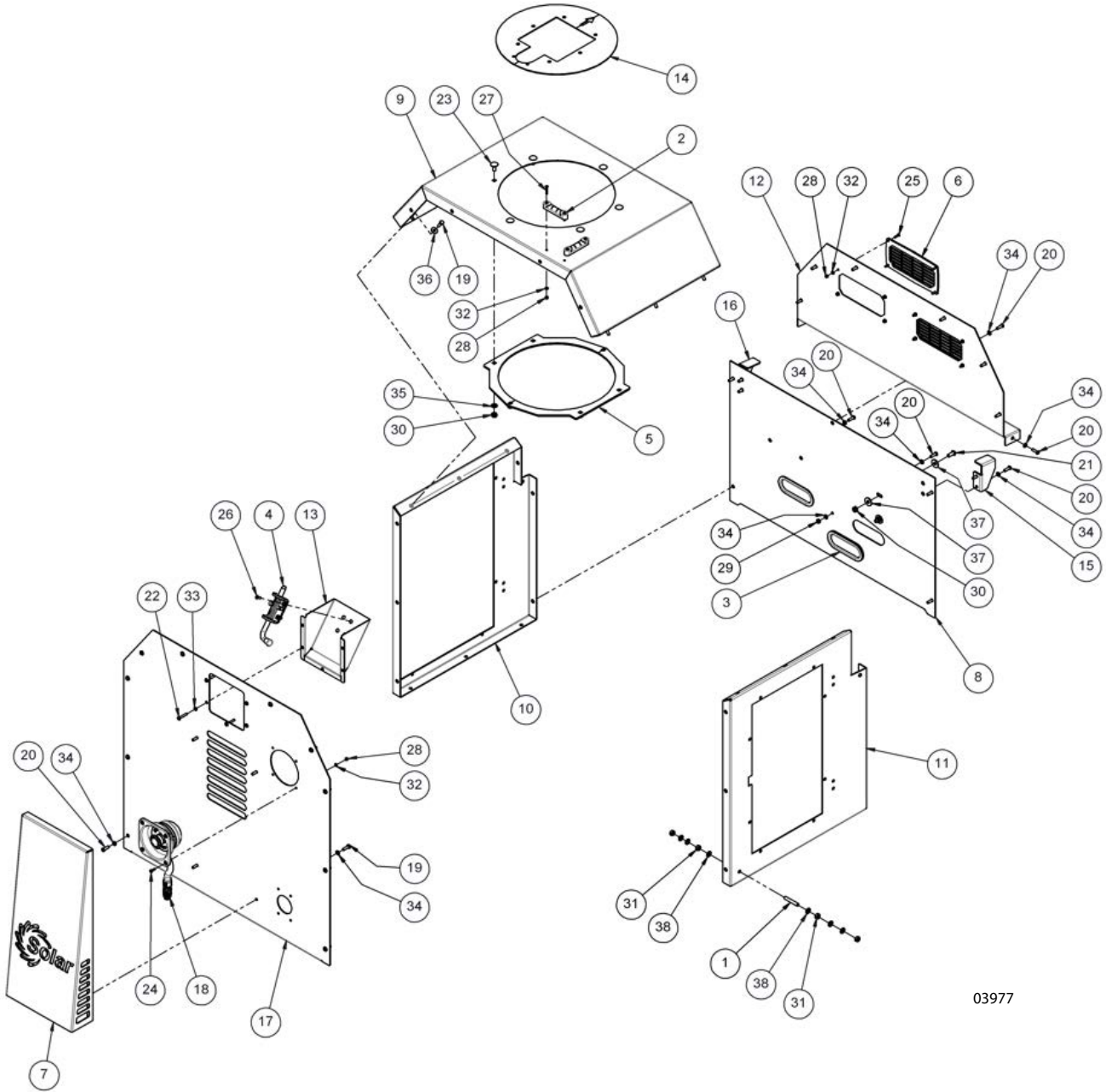


03976

**BASE ASSEMBLY**

<b>Item</b>	<b>Part No.</b>	<b>Qty</b>	<b>Description</b>	<b>Notes</b>
1	A0004898586	1	LOWER THRUST BEARING FLANGE	
2	A0000763418	1	DISC 14X120X2 FOR THRUST BEARING	
3	A0000763447	1	MAST FLANGE FOR THRUST BEARING	
4	A0004898587	2	COMPLETE LIGHT, AMBER SIDE MARKER	
5	A0004898595	2	COMPLETE LIGHT, RED SIDE MARKER	
6	A0004898602	2	LIGHT RED REAR TAIL/TURN	
7	A0004898604	2	GROMMET, REAR LIGHT, RUBBER 4.5 IN	
8	A0004898608	1	LIGHT, LICENSE PLATE	
9	A0004898613	2	COMPACT SPRING BOLT WITH LOCK	
10	A0004898619	1	ASSEMBLED BASE- BLACK	
11	A0004898630	2	PLUG, REAR LIGHT, 3-WIRE WITH GROMMET (UL)	
12		8	SCREW TE M5 X 20 CL 8.8	
13		6	SCREW TE M8 X 25 CL 8.8	
14		1	SCREW TE M14 X 60 CL 8.8	
15		2	SCREW TCEI M5 X 15 CL8.8	
16		2	NUT ATB B M5	
17		6	NUT ATB B M14	
18		2	WASHER PN 5,3 X 10 X 1 SS	
19	A0004407515	6	WASHER PN 8,4 X 16 X 1,6 SS	
20		1	WASHER PN 15 X 28 X 2,5 SS	
21		6	WASHER PL 15 X 44 X 3 SS	

# FAIRING ASSEMBLY



03977

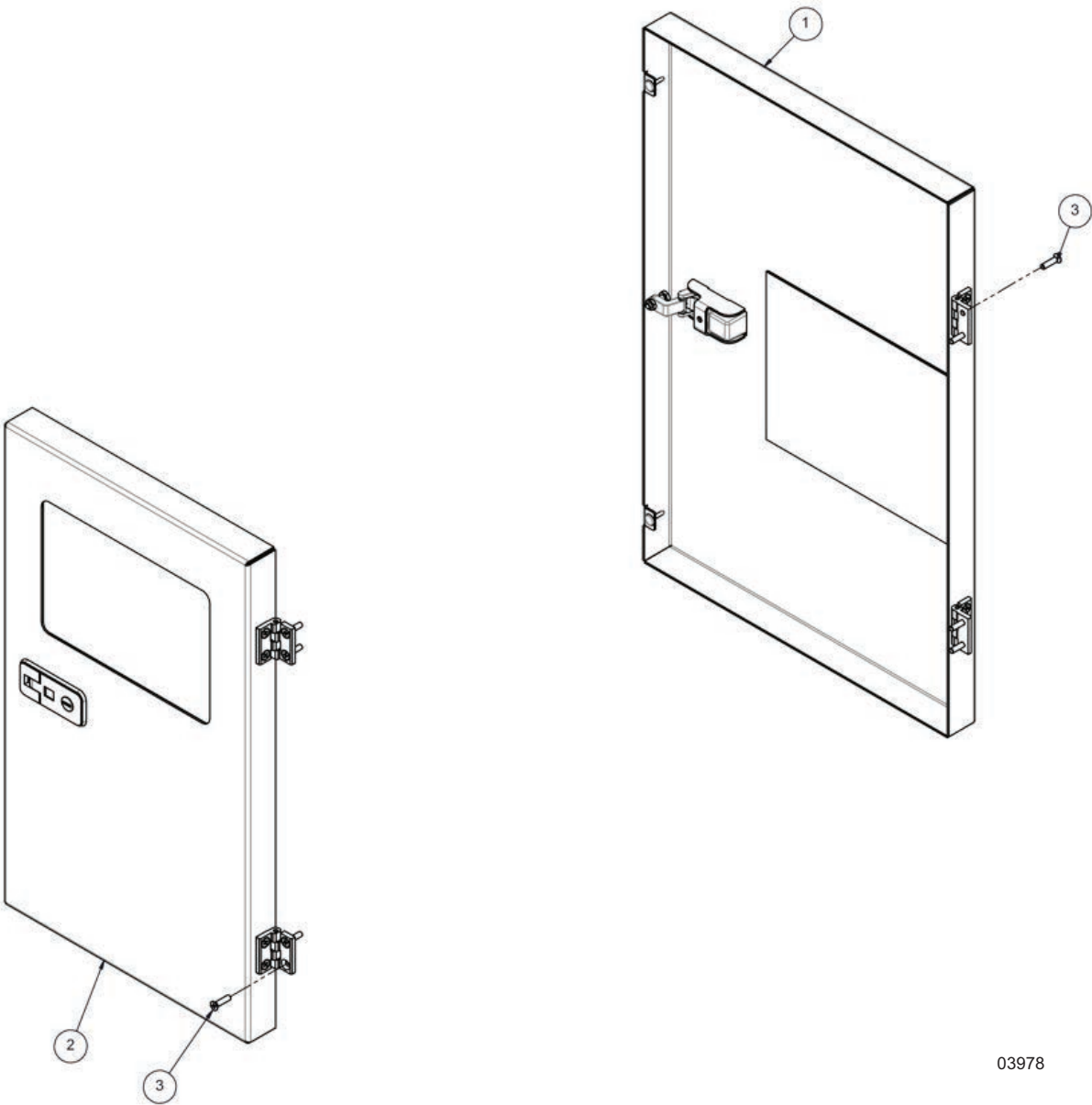
X



## FAIRING ASSEMBLY

Item	Part No.	Qty	Description	Notes
1	A0000748380	1	M8 X 50 BRASS THREADED BAR	
2	A0000216115	2	SPIRIT LEVEL	
3	A0004898631	2	GASKET WITH METAL CORE AND U FORM	
4	A0000216289	1	SPRING BOLT WITH PINS	
5	A0000763384	1	FLANGE, MAST GUIDE	
6	A0004898632	2	200 X 100 BLACK PLASTIC GRID	
7	A0004898633	1	FRONT COVER	
8	A0004898637	1	COVER PANEL	
9	A0004898641	1	TOP PANEL FOR MANUAL MAST	
10	A0004898643	1	RIGHT SIDE PANEL FOR MANUAL MAST	
11	A0004898645	1	LEFT SIDE PANEL FOR MANUAL MAST	
12	A0004898651	1	REAR PANEL FOR MANUAL MAST	
13	A0004898715	1	SUPPORT BOX -SPRING BOLT	
14	A0004898719	1	MAST ENCLOSURE DISK	
15	A0004898722	1	LEFT BRACKET SUPPORT TILTING CARRIAGE	
16	A0004898729	1	RIGHT BRACKET SUPPORT TILTING CARRIAGE	
17	A0004898735	1	FRONT PANEL MANUAL MAST W/ 120V SOCKET	
18	A0004898737	1	STOP BUTTON 2NC WIRING & 5P CONNECTOR	
19		8	SCREW TE M6X20 CL 8.8	
20		12	SCREW TBEI M6X20 CL 10.9	
21		1	SCREW TBEI M8X20 CL 10.9	
22		5	SCREW TBEI M5 X 30 CL10.9	
23		6	SCREW TTQS M8 X 20 CL 4.8	
24		4	SCREW TCCIC M4 X 14 CL 4.8	
25		8	SCREW TSIC M4X16 CL 4.8	
26		4	SCREW TSIC M5 X 16 CL 4.8	
27		4	SCREW TSIC M4X25 CL 4.8	
28		16	NUT ATB B M4	
29		1	NUT ATB B M6	
30		7	NUT ATB B M8	
31		4	NUT N M8 - BRASS	
32		16	WASHER PN 4,3 X 9 X 0,8 SS	
33		5	WASHER PN 5, 3 X 10 X 1 SS	
34		22	WASHER PN 6,4X12X1,6 SS	
35		6	WASHER PN 8,4 X 16 X 1,6 SS	
36		4	WASHER PL 6,4 X 18 X 1,6 SS	
37		2	WASHER PL 8,4 X 24 X 2 SS	
38		6	WASHER PN 8,4X16X1,6 BRASS	

# DOOR ASSEMBLY



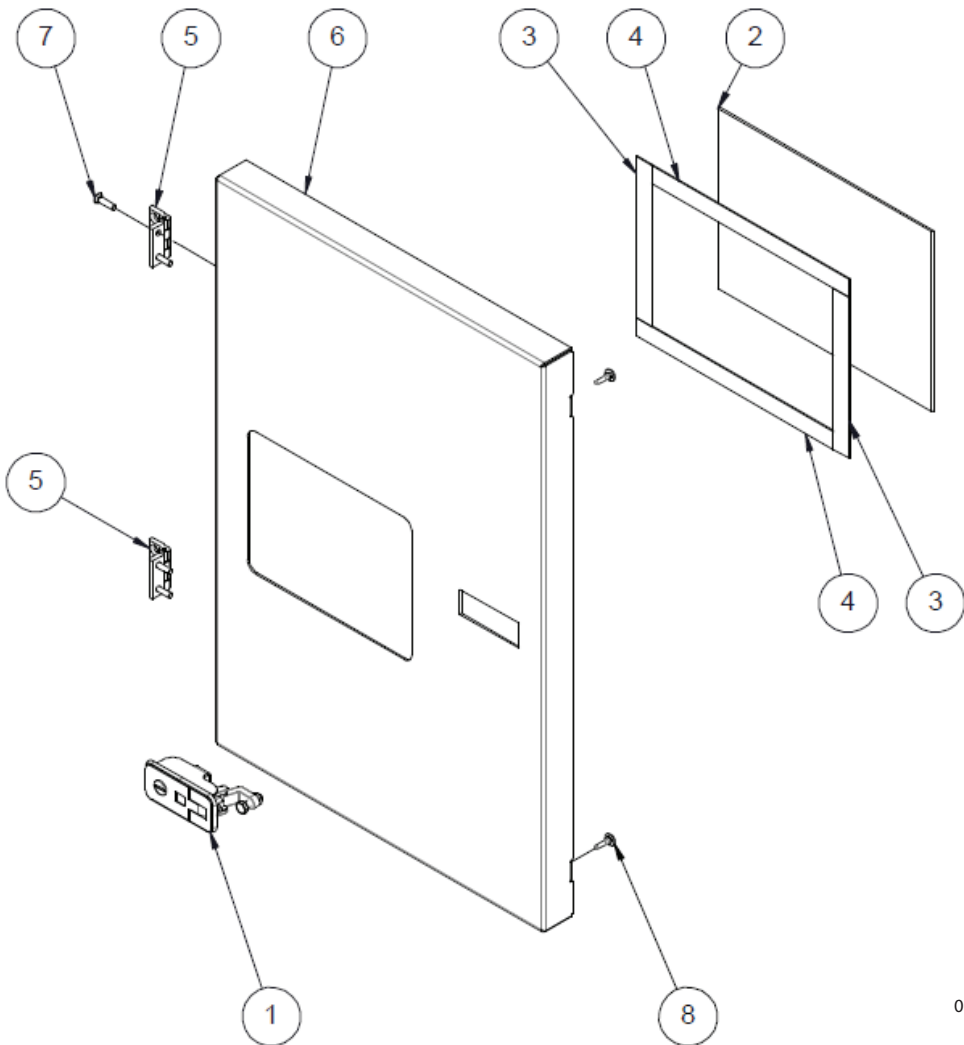
03978

## DOOR ASSEMBLY

---

Item	Part No.	Qty	Description	Notes
1	A0004899111	1	PRE-ASSEMBLED INVERTER DOOR - WHITE	
2	A0004899114	1	PRE-ASSEMBLED COMMAND BOX DOOR - WHITE	
3		4	SCREW TSIC M5 X 20 CL 4.8	

# INVERTER DOOR ASSEMBLY



03979

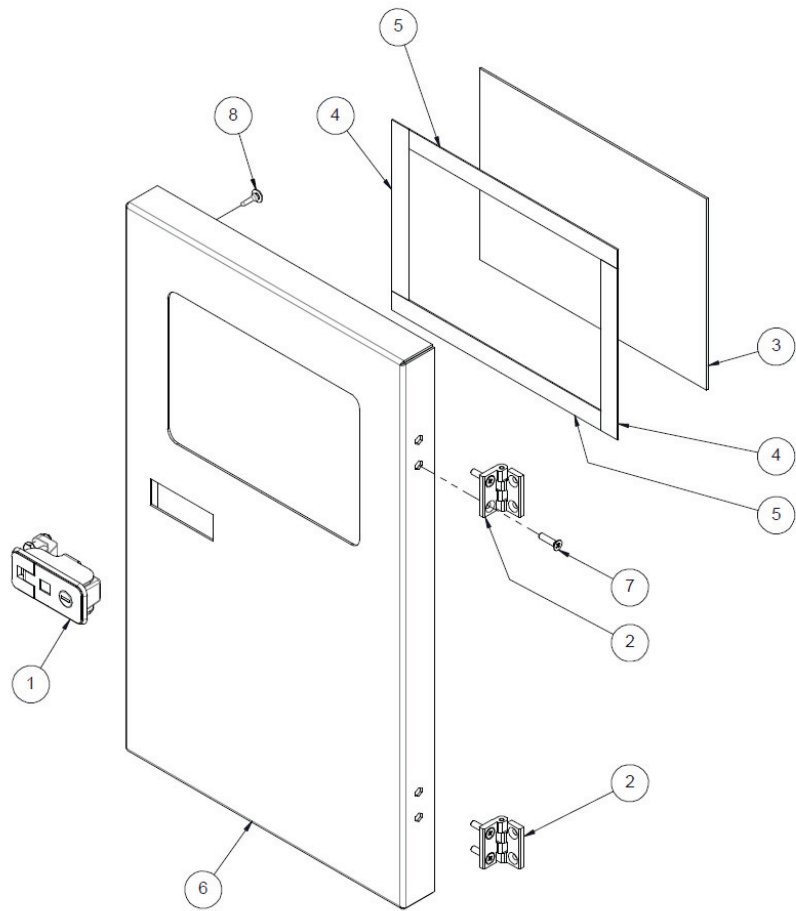
## INVERTOR DOOR ASSEMBLY

---

Item	Part No.	Qty	Description	Notes
--	A0004899111		PRE-ASSEMBLED INVERTER DOOR - WHITE	
1	A0004899115	1	CLOSURE WITH LOCK	
2	A0004899117	1	LEXAN PANEL	
3		2	VHB ADHESIVE TAPE 4910 L 170 mm	
4		2	VHB ADHESIVE TAPE 4910 L 240 mm	
5	A0004899182	2	SYMMETRICAL HINGE 40X40	
6	A0004899186	1	INVERTER DOOR - WHITE	
7		4	SCREW TSIC M5X20 CL 4.8	
8	56536	2	DOOR JAMB STOPPER, RUBBER	

# COMMAND BOX DOOR ASSEMBLY

---



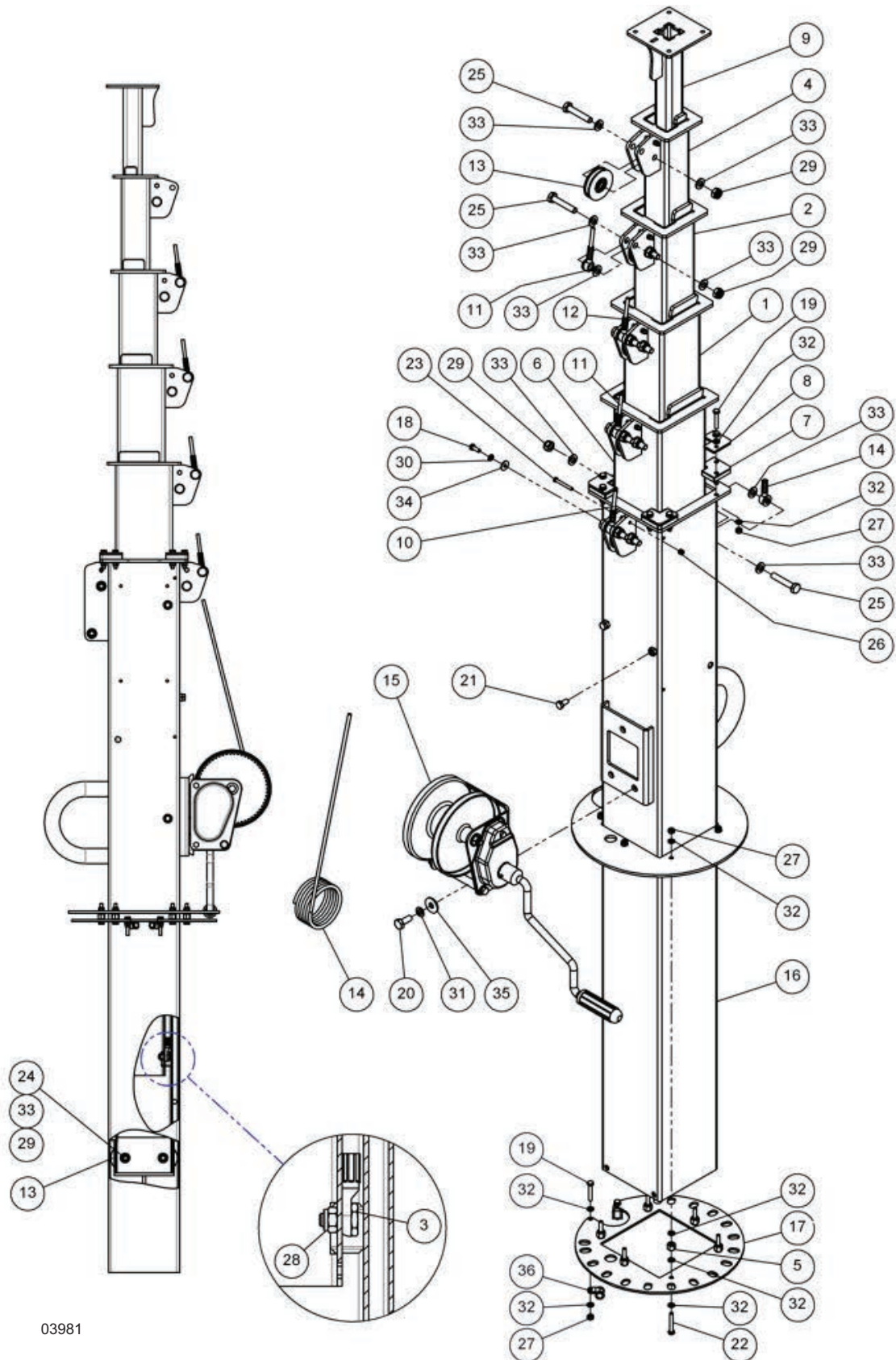
03980

## COMMAND BOX DOOR ASSEMBLY

---

Item	Part No.	Qty	Description	Notes
--	A0004899114	1	COMMAND BOX DOOR-PRE-ASSEMBLED	
1	A0004899115	1	CLOSURE WITH LOCK	
2	A0004899182	2	SYMMETRICAL HINGE 40X40	
3	A0004899117	1	LEXAN PANEL	
4		2	VHB ADHESIVE TAPE 4910 L 170 mm	
5		2	VHB ADHESIVE TAPE 4910 L 240 mm	
6	A0004899239	1	COMMAND BOX DOOR - WHITE	
7		4	SCREW TSIC M5 X 20 CL 4.8	
8	56536	2	DOOR JAMB STOPPER, RUBBER	

# MAST ASSEMBLY



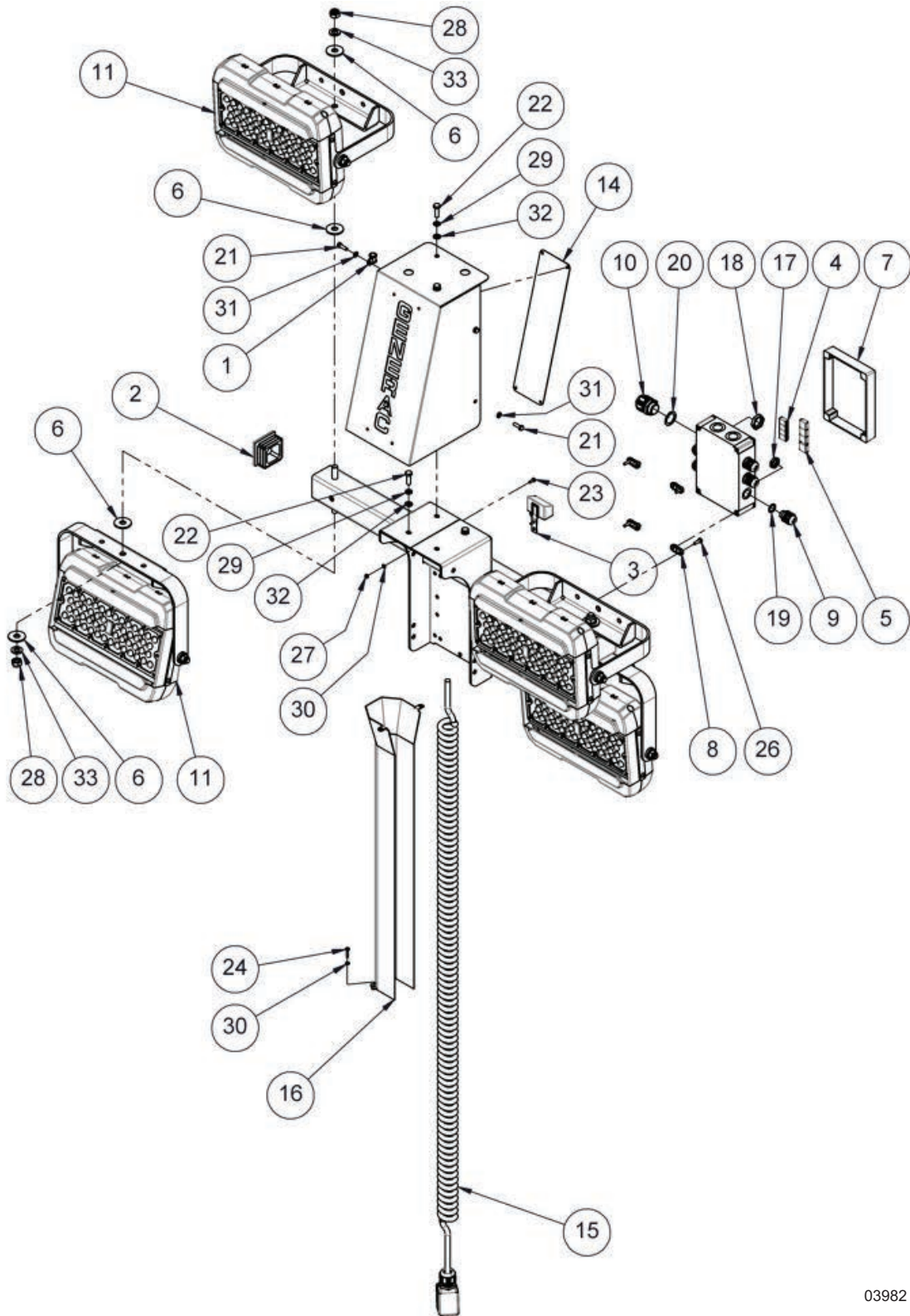
03981



## MAST ASSEMBLY

Item	Part No.	Qty	Description	Notes
1	A0000764065	1	3° SECTION MAST ASSEMBLED 100 X 100 X 3	
2	A0000764066	2	4° SECTION MAST ASSEMBLED 80 X 80 X 3	
3	A0004899524	1	M8 SCREW HEAD FOR MAST LIFTING CABLE	
4	A0000764102	1	5° SECTION MAST ASSEMBLED 60 X 60 X 3	
5	A0004899525	1	HEXAGONAL COLUMN M6	
6	A0000763085	1	2° SECTION MAST ASSEMBLED 120 X 120 X 3	
7	A0000763088	4	ANGULAR FOR MAST	
8	A0004899528	4	NYLON ANGULAR BLOCKING PLATE	
9	A0000763544	1	6° SECTION MAST ASSEMBLED 40 X 40 X 4	
10	A0000216359	1	COMPLETE GALV. STEEL CABLE D.6 L.1440	
11	A0000216360	1	COMPLETE GALV. STEEL CABLE D.6 L.1460	
12	A0000216368	1	COMPLETE GALV. STEEL CABLE D.6 L.1455	
13	A0000300988	1	D.60 WHEEL FOR STEEL CABLE	SPECIFY DIA
14	A0000765854	1	COMPLETE GALV. STEEL CABLE D.6 L.4300	FOR WINCH
15	A0000763370	1	WINCH MANUAL 900 KG	
16	A0004899529	1	1° SECTION MAST ASSEMBLED 150 X 150 X 3	
17	A0004899530	1	MAST STOP DISK	
18		1	SCREW TE M6 X 16 CL 8.8	
19		8	SCREW TE M6 X 35 CL 8.8	
20		3	SCREW TE M10 X 25 CL 8.8	
21		2	SCREW TE M8 X 16 CL 8.8	
22		6	SCREW TE M6 X 40 CL 8.8	
23		5	SCREW TE (PT) M5 X 40 CL 8.8	
24		2	SCREW TE (PT) M10 X 50 CL 8.8	
25		2	SCREW TE (PT) M10 X55 CL 8.8	
26		5	NUT ATB A M5	
27		9	NUT ATB B M6	
28		1	NUT ATB B M8	
29		2	NUT ATB B M10	
30		1	WASHER EL 6,1 X 11, 8 X 1,6	
31		3	WASHER EL 10,2 X 18,1 X 2,2	
32		30	WASHER PN 6,4 X 12 X 1,6 SS	
33		12	WASHER PN 10,5 X 20 X 2 SS	
34		1	WASHER PL 6,4 X 18 X 1,6 SS	
35		3	WASHER PL 10,5 X 30 X 2,5 SS	
36		2	RSGU1 10/15 M6 CLAMP	

# 4 X 100W LED LAMP ASSEMBLY



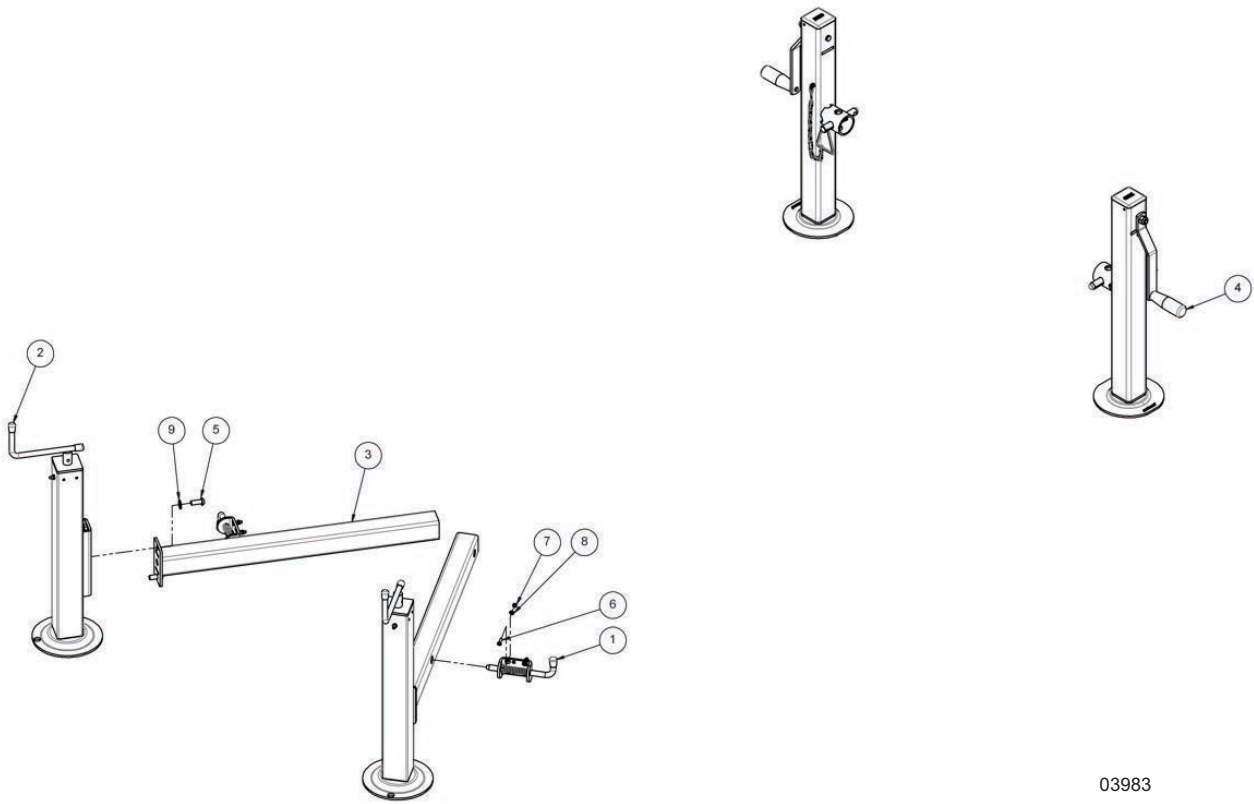
03982

## 4 X 100W LED LAMP ASSEMBLY

Item	Part No.	Qty	Description	Notes
1		1	RSGU1 10/15 M6 CLAMP	
2	A0000762115	2	60X60 FINNED COVER	
3	A0000216084	1	LIGHT SENSOR	
4	A0000763368	4	JUNCTION CONNECTOR 2P	
5	A0004899532	4	JUNCTION CONNECTOR 3P	
6	A0000763448	8	DI13 DE37 TH.3 PLASTIC WASHER	
7	A0004899533	1	JUNCTION BOX UL/CSA 180 X 130 X 75	
8	A0004899536	4	BRACKET KIT FOR UL/CSA BOX 180 X 130 X 75	
9	A0001079861	5	M16 X 1,5 UL/CSA WIRE HOLDER	
10	A0001079866	1	M25 X 1,5 (16MM)(-4°C) WIRE HOLDER	
11	A0004899538	4	FLOODLIGHT LED 100W	
12	A0004899542	4	FLOODLIGHT SUPPORT - BLACK	
13	A0004899545		FLOODLIGHT SUPPORT CLOSING PLATE - BLACK	
14	A0004899859	1	BOTTOM SHEET FLOODLIGHT CLOSING PLATE - ORANGE	
15	A0004899864	1	7G X1,5MMQ COIL CORD WITH 6P MALE	
16	A0004899868	1	COIL CORD GUIDE - BLACK	
17	A0001079863	5	M16 COUNTER NUT	
18	A0000883280	1	M25 COUNTER NUT	
19	A0001079862	5	M16 FLAT GASKET	
20	A0001079865	1	M25 FLAT GASKET	
21		4	SCREW TE M6 X 20 CL 8.8	
22		4	SCREW TE M8 X 25 CL 8.8	
23		1	SCREW TCCIC M4 X 12 CL 4.8	
24		4	SCREW TCCIC M4 X 20 CL 4.8	
25	A0004407516	0	SCREW TCCIC M5 X 20 CL 4.8	
26		4	SCREW TCCIC M5 X 16 CL 4.8	
27		2	NUT ATB B M4	
28		4	NUT ATB B M12	
29		4	WASHER EL 8,2 X 14,8 X 2	
30		4	WASHER PN 4,3 X 9 X 0,8 SS	
31		4	WASHER PN 6,4 X12 X1,6 SS	
32		4	WASHER PN 8,4 X16 X1,6	
33		8	WASHER PN 13 X 24 X 2,5 SS	

# STABILIZER ASSEMBLY

---



03983

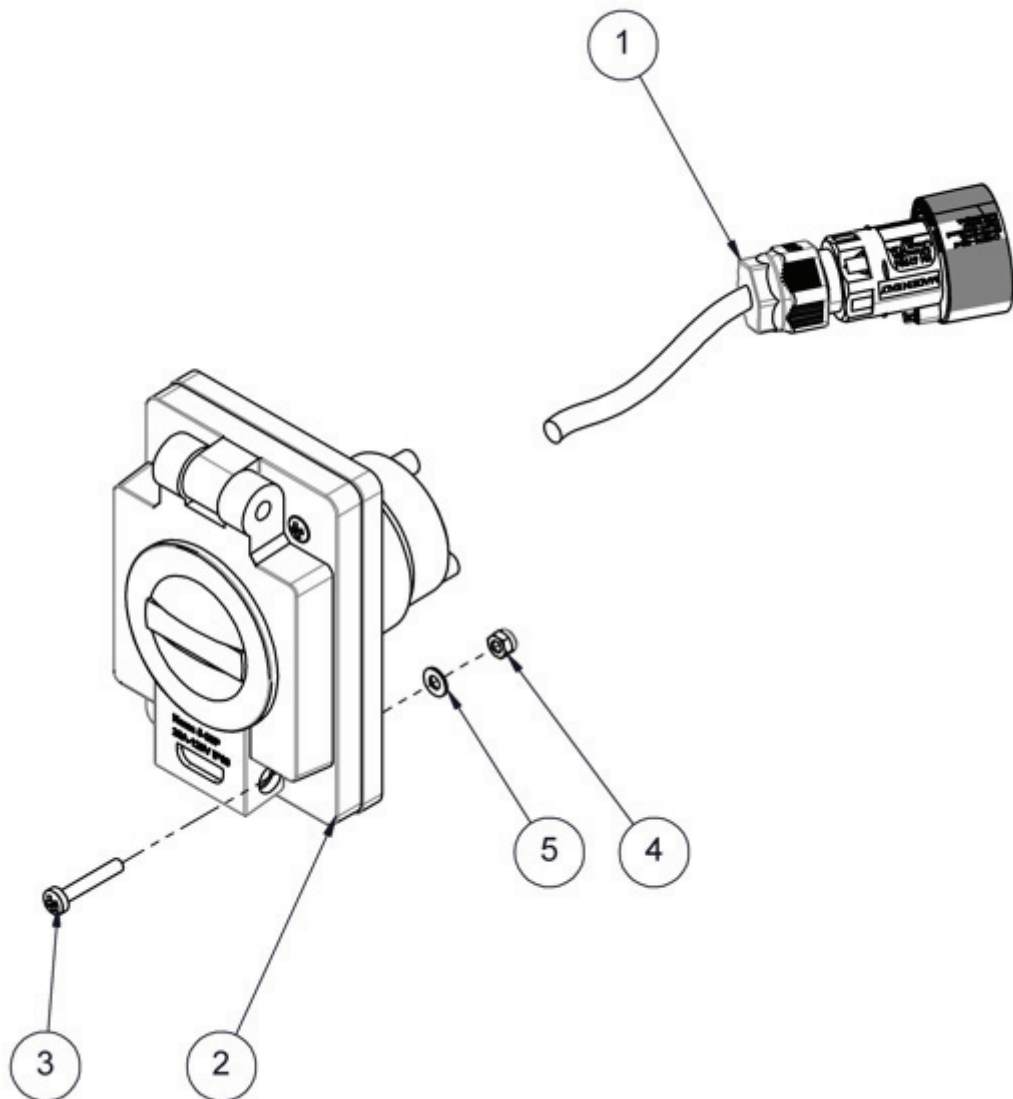
## STABILIZER ASSEMBLY

---

Item	Part No.	Qty	Description	Notes
1	56516	2	SPRING BOLT WITHOUT PINS	
2	A0004899871	2	STABILIZER	
3	A0004899872	2	ASSEMBLED TUBULAR FOR STABILIZER	
4	A0004899988	2	ROTATABLE STABILIZER	
5		8	SCREW TBEI M10 X 25 CL 4.8	
6		4	SCREW TSIC M5 X 20 CL 4.8	
7		4	NUT ATB B M5	
8		4	WASHER PN 5,3 X 10 X 1 SS	
9		8	WASHER PN 10,5 X 20 X 2 SS	

# PLUG GROUP CEE 230V

---



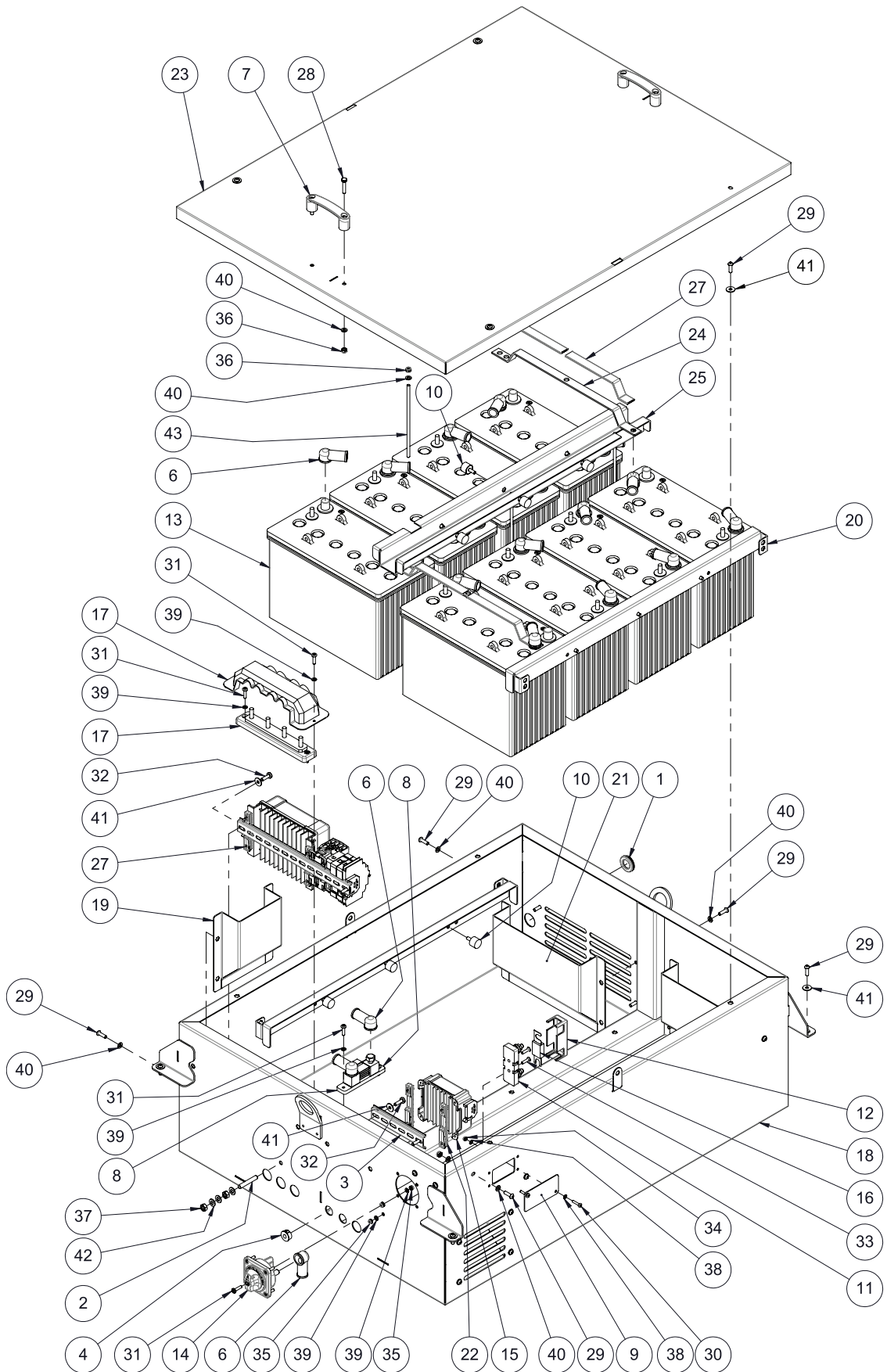
03984

## PLUG GROUP CEE 230

---

Item	Part No.	Qty	Description	Notes
1	A0004899993	1	MAINS INPUT PLUG HARNESS [SOLAR V.1.5 NA]	
2	A0004899995	1	RECEPTACLE 120V/20A INLET (5-20P) WITH COVER - YELLOW	
3		4	SCREW TCCIC M4 X 25 CL 4.8	
4		4	NUT ATB B M4	
5		4	WASHER PN 4,3 X 9 X 0,8	

# RECHARGEABLE BATTERY PACK



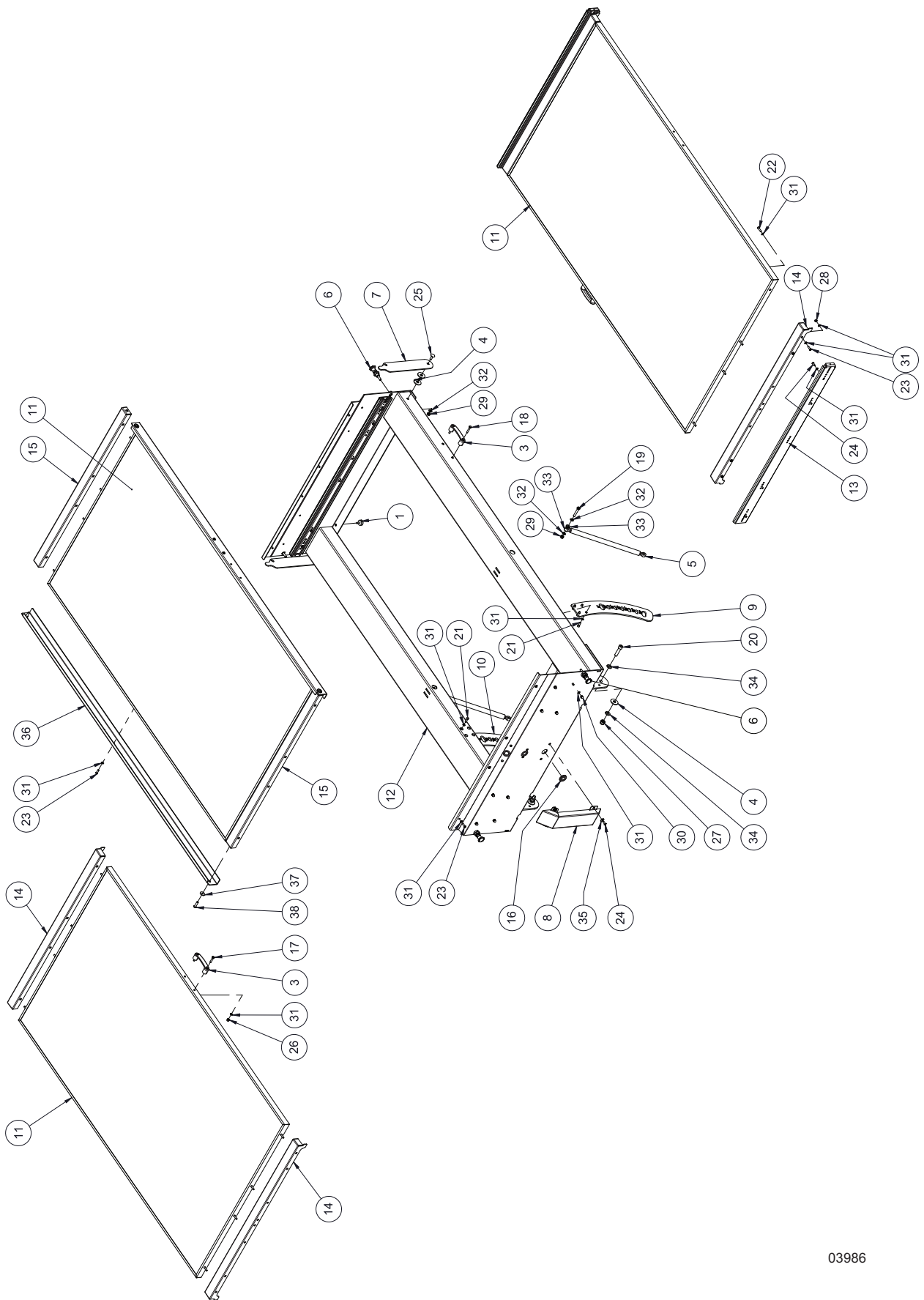
03985



## RECHARGEABLE BATTERY PACK

Item	Part No.	Qty	Description	Notes
1	A0004900000	1	MEMBRANE CABLE GLAND D.21 X 35	
2	A0000748380	1	M8 X 50 BRASS THREADED BAR	
3	A0004900001	1	DIN RAIL TH 35-7,5 L = 150	
4	56609	1	PLASTIC CAP D. 20,6	
5	11327	1	STOP TERMINAL BOARD	
6	A0000747931	16	RUBBER CAP PROTECTION FOR BATTERIES	
7	A0004900034	2	PLASTIC HANDLE CENTER DISTANCE 93 MM	(BLUE CAPS)
8	A0004900042	1	SHUNT 500A 50MA	
9	A0004900049	1	CONNECTOR CAP 10P ILME - BLACK	
10	A0000507211	12	D.20 X15 M6 X16 55SH ANTI-VIBRATION	
11	A0004900051	1	FUSE HOLDER FOR FT2 FUSE (FP1020)	
12	A0004900417	1	FUSE HOLDER COVER FOR FT2 (CP1020)	
13	A0004900433	8	BATTERY EV31A-A AM F10M8 12V 120AH C20	
14	A0004915780	1	MAN BATTERY DISCONNECT SWITCH 48V 300A	
15	A0004915782	1	DC-C CONVERTER ORION-TR 48/12-9A 110W	
16	A0004915784	1	125A 48V FT2 FUSE	
17	A0004915785	1	BUS BAR 250A 4P + COVER	
18	A0004915812	1	ASSEMBLED BATTERY COMPARTMENT - WHITE	
19	A0004915831	2	LATERAL AIR INTAKE - BLACK	
20	A0004915861	2	BATTERIES STOP BRACKET - BLACK	
21	A0004915866	2	INTERNAL PROTECTION FOR REAR AIR INTAKE - BLACK	
22	A0004915939	2	DIN 35 ADAPTER LARGE	
23	A0004915972	1	ASSEMBLED BATTERY BOX COVER - W	
24	A0004916004	2	COPPER JUMPER FOR BATTERY CONNECTION	
25	A0004916007	1	CENTRAL BATTERIES STOP BRACKET - BLACK	
26	A0004916033	1	SOLAR PANELS CONNECT KIT WITH MPPT 150/35	
27	A0004916035	4	HEAT SHRINK SLEEVE	
28		4	SCREW TE M6 X 30 CL 8.8	
29		19	SCREW TBEI M6 X 20 CL 10.9	
30		2	SCREW TCCIC M4 X 20 CL 4.8	
31		10	SCREW TCCIC M5 X 20 CL 4.8	
32		4	SCREW TCCIC M6 X 20 CL 4.8	
33		4	SCREW TSIC M5 X 20 CL 4.8	
34		2	NUT ATB B M4	
35		4	NUT ATB B M5	
36		6	NUT ATB B M6	
37		4	NUT N M8 - BRASS	
38		4	WASHER PN 4,3 X 9 X 0,8 SS	
39		10	WASHER PN 5,3 X 10 X 1 SS	
40		19	WASHER PN 6,4 X 12 X 1,6 SS	
41		10	WASHER PL 6,4 X 18 X 1,6 SS	
42		6	WASHER PN 8,4 X 16 X 1,6 BRASS	
43	A0004916040	1	THREADED ROD M6 180 MM	

# SOLAR PANEL ASSEMBLY

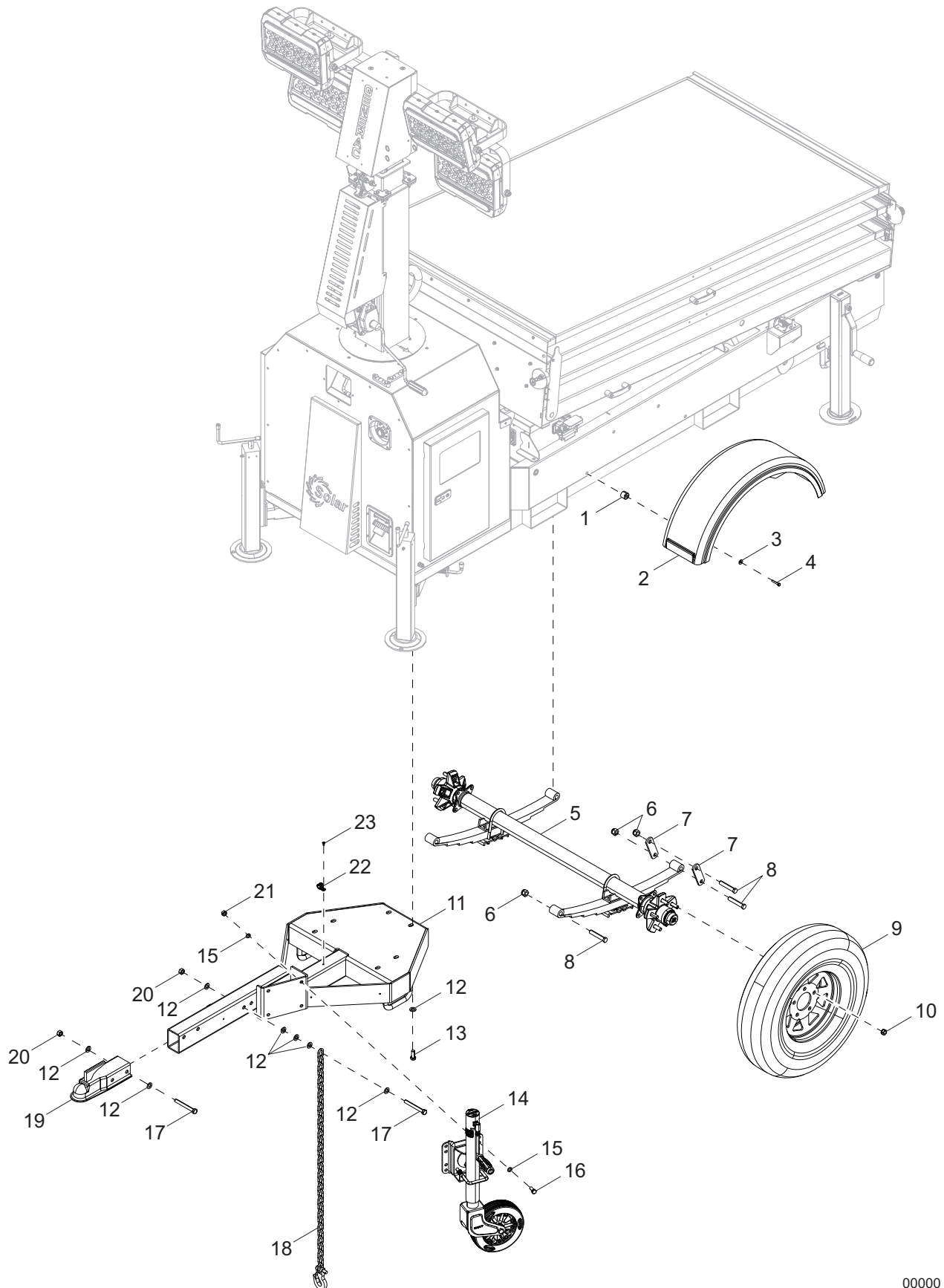


03986

## SOLAR PANEL ASSEMBLY

Item	Part No.	Qty	Description	Notes
1	A0004900000	1	MEMBRANE CABLE GLAND D.21X35	
2	A0002959677	2	D.25 X 10,1 X M6 ANTI-VIBRATION	
3	A0004900034	8	PLASTIC HANDLE CENTER DISTANCE 93 MM	(BLUE CAPS)
4	A0000763448	2	DI13 DE37 TH.3 PLASTIC WASHER BLACK	
5	A0004916049	2	GAS SPRING 1000N	
6	A0004916053	4	SPRING PLUNGER	
7	A0004916061	2	ANTI-THEFT BRACKET	
8	A0004916064	1	REAR COVER - WHITE	
9	A0004916065	1	GRADUATED RIGHT ARCH	
10	A0004916066	1	GRADUATED LEFT ARCH	
11	A0004916068	3	SOLAR PANEL 400W MONO 1755 X 1038 X30	
12	A0004916069	1	ASSEMBLED TILTING CARRIAGE - WHITE	
13	A0004916073	2	HEAVY DUTY FULL - EXTENSION GUIDE	
14	A0004916078	4	BRACKET FOR 1750 X 1038 X 30 SOLAR PANEL	
15	A0004916082	2	ADAPTER FOR L-1038 SOLAR PANEL	
16		12	SCREW TE M6 X 30 CL 8.8	
17		4	SCREW TE M6 X 35 CL 8.8	
18		4	SCREW TE (PT) M8 X 50 CL 8.8	
19		8	SCREW TCEI M6 X 20 CL 8.8	
20		2	SCREW TCEI M12 X 50 CL 8.8	
21		24	SCREW TBEI M6 X 25 CL 8.8	
22		12	SCREW TBEI M6 X 20 CL 8.8	
23		8	SCREW TBEI M6 X 16 CL 8.8	
24		2	SCREW TTQS M8 X 25 CL 4.8	
25		16	NUT ATB A M6	
26		2	NUT ATB A M12	
27		12	NUT ATB B M6	
28		2	NUT ATB B M8	
29		16	NUT ECCSA M6	
30		80	WASHER PN 6,4 X 12 X 1,6 SS	
31		8	WASHER PN 8,4 X 16 X 1,6 SS	
32		8	WASHER PN 10,5 X 20 X 2 SS	
33		4	WASHER PN 13 X 24 X 2,5 SS	
34		4	WASHER PL 6,4 X 18 X 1,6 SS	
35	A0005459525	2	PHOTO PANEL, LATERAL REINFORCEMENT	
36		4	WASHER PL 8,4 X 24 X 2 SS	
37		4	SCREW TBEI M8 X 30 C10.9	

# TRAILER ASSEMBLY



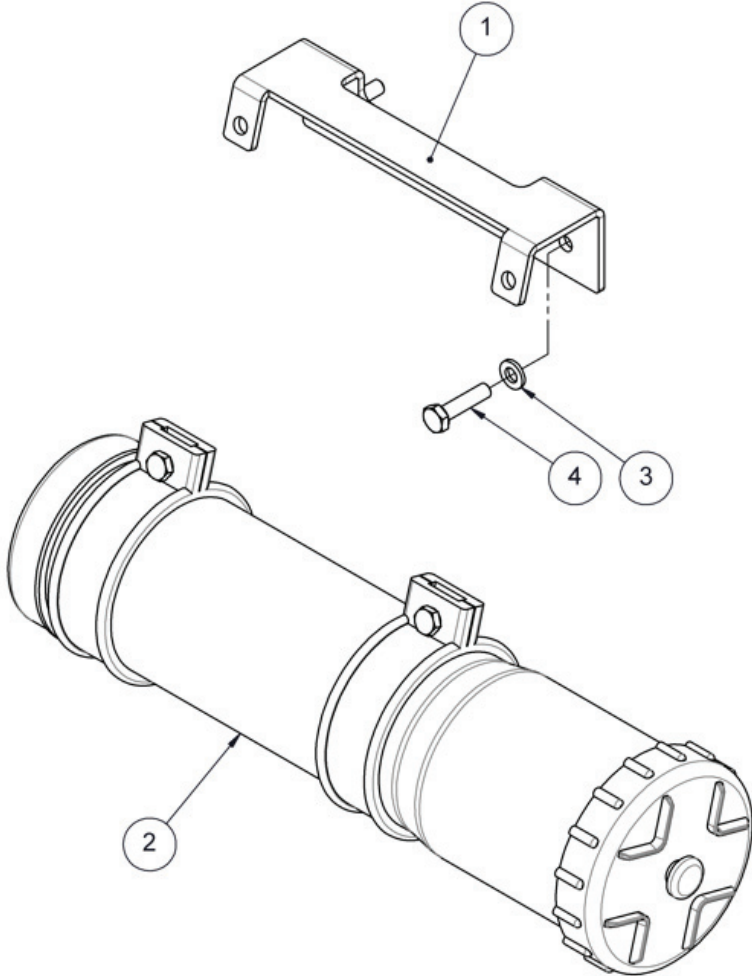
00000

## TRAILER ASSEMBLY

Item	Part No.	Qty	Description	Notes
1	0J5254	8	BUMPER-HANDLE STOP	
2	16560	2	FENDER, PLASTIC SHELL - 13 IN TIRE	
3	0H7899	8	WASHER FLAT M6 X 18MM	
4	G049721	8	SCREW HHC M6-1.0 X 35 C8.8 CLR	
5	A0004197650	1	AXLE SOLAR LIGHT TOWER 3300LBS	
6	60504	6	NUT, .562-18 LHEX G5 ZC	
7	19637	4	PLATE, SHACKLE BRACKET - 3.125	
8	60503	3	SCREW, SHACKLE, .562-18X3.000 HEX G	
9	15976	2	WHEEL, ST175/80D13, 1360# - 6PR	
10	60096	10	NUT, .500-20 LUG G5	
11	A0004081740	1	ST03 WELDMENT HITCH TONGUE	
12	G049808	20	WASHER FLAT M12	
13	G052645	6	SCREW HHC M12-1.75 X 30 C8.8	
14	A0005120232	1	JACK WHEEL SIDE WIND 1200LB BRKT MNT	
15	G070264	8	WASHER FLAT M10	
16	G049814	4	SCREW HHC M10-1.5 X 25 C8.	
17	G052623	4	SCREW HHC M12-1.75 X 100 PC8.8	
18	23367	2	CHAIN, SAFETY - 7,800 LBS RATED	
19	16830	1	COUPLER, 2.00 BALL/2.50 CHANNEL ZP	
20	0D7119	4	NUT HEX LOCK M12-1.75 NY INS	
21	A0000566363	8	NUT HEX LOCK M10-1.5 NY INS	
22	16143	2	CLAMP, TUBING - .500	
23	60268	2	RIVET, .188 DIA X .126 TO .250 GRIP SSB6-4S	

**DOCUMENT HOLDER GROUP**

---



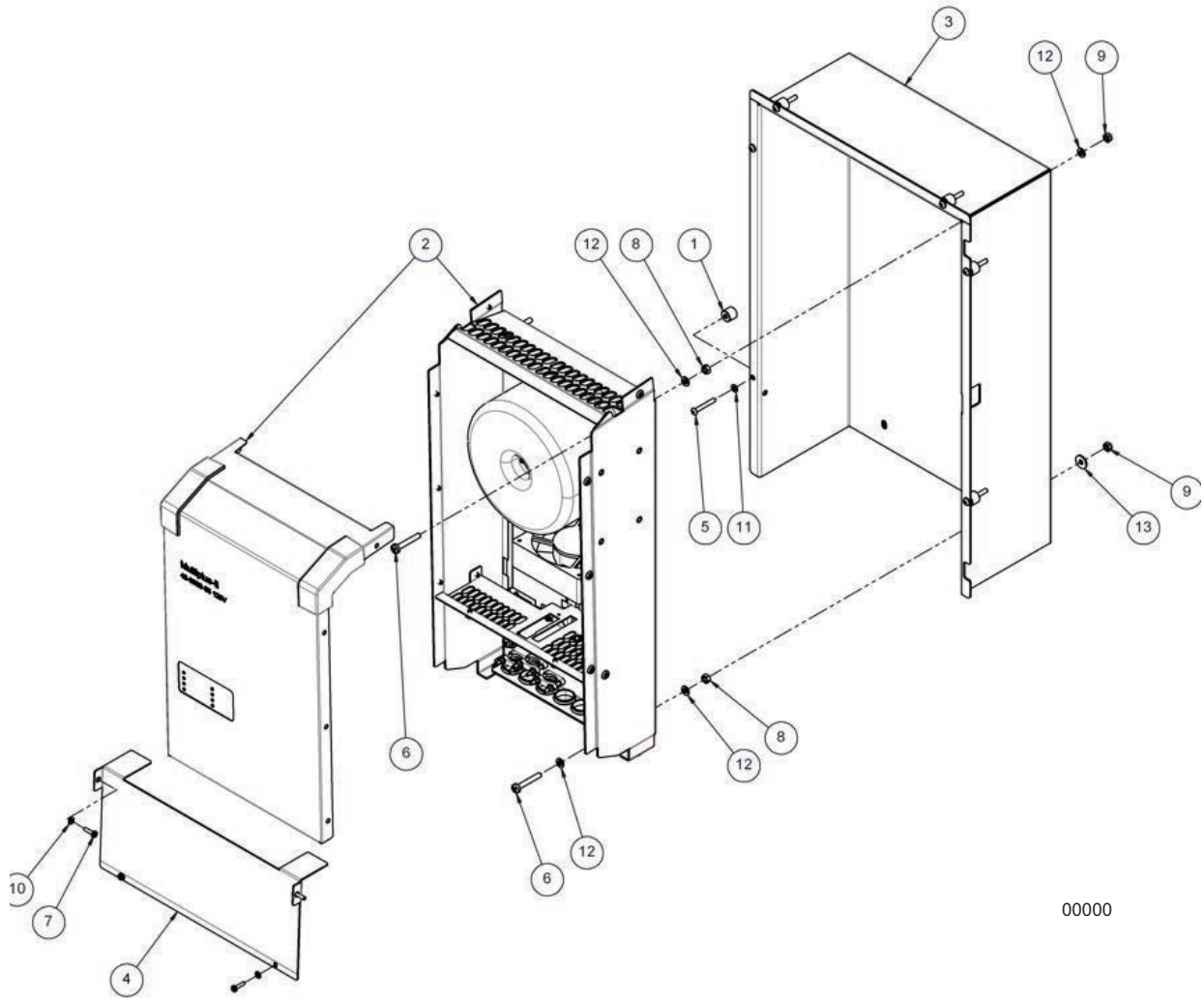
00000

## DOCUMENT HOLDER GROUP

---

Item	Part No.	Qty	Description	Notes
1	A0000763367	1	PLASTIC TUBE DOCUMENT HOLDER	
2	A0004916083	1	DOCUMENT HOLDER - BLACK	
3		1	WASHER PN 6,4 X 12 X 1,6 SS	
4	A0004407524	1	SCREW TE M6 X 25 CL 8.8	

# INVERTER/CHARGER GROUP



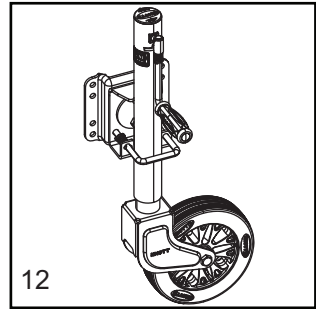
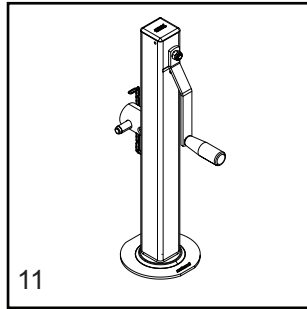
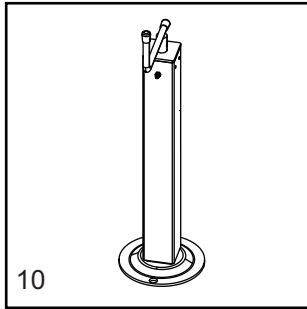
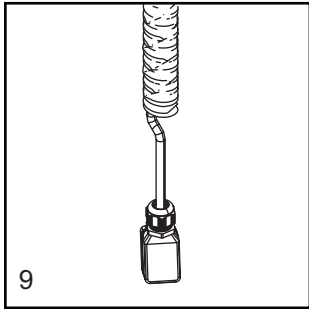
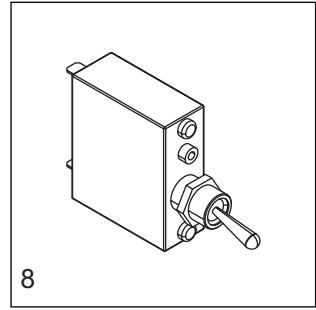
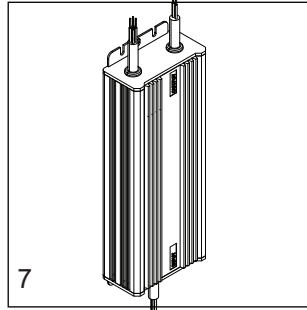
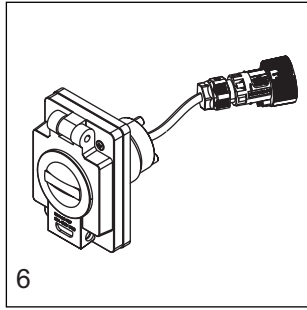
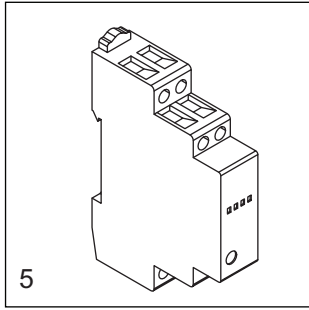
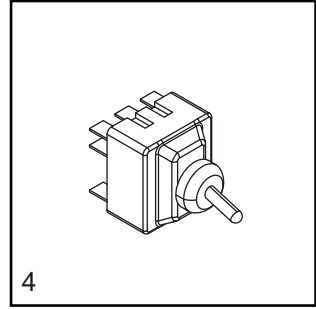
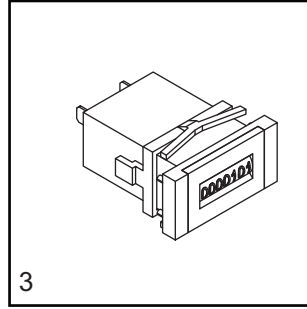
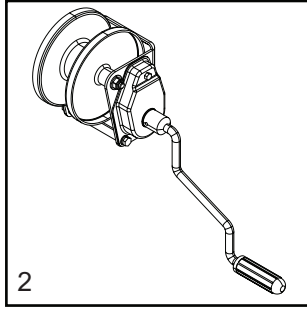
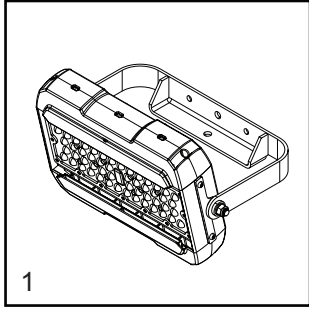
00000



## INVERTER/CHARGER GROUP

Item	Part No.	Qty	Description	Notes
1	A0004896113	6	PLASTIC SPACER 15 X 5.3 X13	
2	A0004916093	1	INVERTER/CHARGER 48/3000/35-50 120V	
3	A0004916097	1	INVERTER BOX120V - BLACK	
4	A0004916104	1	120V INVERTER COVER - BLACK	
5		6	SCREW TBEI M5 X 35 CL 10.9	
6		4	SCREW TCCIC M6 X 40 CL 4.8	
7		4	SCREW TCCIC M4 X 16 CL 4.8	
8		12	NUT N M6	
9		4	NUT ATB B M6	
10		4	WASHER PN 4,3 X 9 X 0,8 SS	
11		6	WASHER PN 5,3 X 10 X 1 SS	
12		8	WASHER PN 6,4 X 12 X 1,6 SS	
13		4	WASHER PL 6,4 X 18 X 1,6 SS	

# RECOMMENDED SPARE PARTS



00000

**MAST**

1. FLOODLIGHT LED 100W .....	A0004899538
2. WINCH MANUAL 900 KG .....	A0000763370
3. 110V 60HZ HOUR METER WITH 48X24 ADAPTER .....	A0004947355
4. ROTARY POTENTIOMETER .....	A0004898529
5. 12V DC 1 MOD TWILIGHT RELAY .....	A0004896106
6. DRIVER LED 90-305VAC 320W 48V .....	A0004897252
7. CIRCUIT BREAKER 20A RATED.....	A0004897190
8. 7G X1,5MMQ COIL CORD WITH 6P MALE .....	A0004899864
9. JACK, SIDEWINDER .....	A0004899871
10. JACK, TOP WIND.....	A0004899988
11. JACK WHEEL SIDE WIND 1200LB BRKT MNT .....	A0005120232

This Page Intentionally Left Blank

---

---

Part No. A0004974416 Rev. B 01/23/2024

©2024 Generac Power Systems, Inc.

All rights reserved.

Specifications are subject to change without notice.

No reproduction allowed in any form without prior written consent  
from Generac Power Systems, Inc.

**GENERAC** | **MOBILE**

Generac Power Systems, Inc.  
S45 W29290 Hwy. 59, Waukesha WI 53189  
[GeneracMobileProducts.com](http://GeneracMobileProducts.com) | 844-ASK-GNRC | 844-275-4672