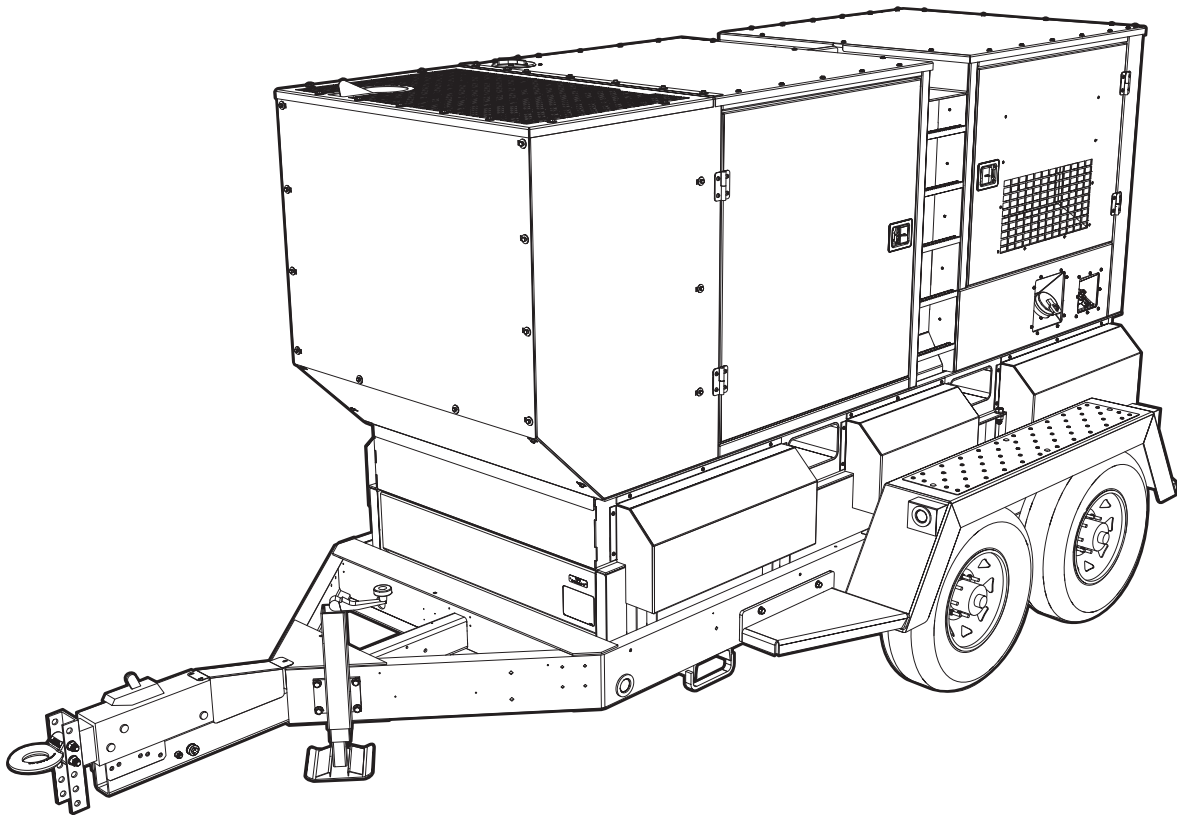


# **MDG150DF4**

## *Diesel Generator Parts Manual*

*S/N 3002692330 and above*



02419

MODEL NUMBER \_\_\_\_\_

SERIAL NUMBER: \_\_\_\_\_

DATE PURCHASED: \_\_\_\_\_

***SAVE THIS MANUAL FOR FUTURE REFERENCE***

 **WARNING**

**CANCER AND REPRODUCTIVE HARM**

[www.P65Warnings.ca.gov](http://www.P65Warnings.ca.gov).

(000393a)

 **WARNING**

Breathing diesel engine exhaust exposes you to chemicals known to the State of California to cause cancer and birth defects or other reproductive harm.

- Always start and operate the engine in a well-ventilated area.
- If in an enclosed area, vent the exhaust to the outside.
- Do not modify or tamper with the exhaust system.
- Do not idle the engine except as necessary.

For more information go to

[www.P65Warnings.ca.gov/diesel](http://www.P65Warnings.ca.gov/diesel).

(000394)

# Introduction

This parts manual was prepared based on the information available at the time of publication and is subject to change without notice. Generac Mobile Products reserves the right to change parts at any time. To check whether a revised parts manual is available, contact Generac Mobile Products.

DO NOT MODIFY or use this equipment for any application other than which it was designed for. To keep your equipment fully operational, it is suggested you maintain a stock of commonly used maintenance or service parts. A recommended spare parts list can be found in the back of this manual. To order service parts, please go to [www.generacmobileproducts.com](http://www.generacmobileproducts.com) or call Generac Mobile Products.



## **WARNING**

Consult Manual. Read and understand manual completely before using product. Failure to completely understand manual and product could result in death or serious injury. (000100a)

---

## **WARNING**

Environmental Hazard. Always recycle batteries at an official recycling center in accordance with all local laws and regulations. Failure to do so could result in environmental damage, death or serious injury. (000228)

---

## **GENERAC MOBILE PRODUCTS LLC**

**215 Power Drive • Berlin, WI 54923 U.S.A.**

**Phone: 920-361-4442**

**FAX: 920-361-4416**

**Toll Free: 1-800-926-9768**

**[www.generacmobileproducts.com](http://www.generacmobileproducts.com)**

**For technical or parts QUESTIONS, contact Generac Mobile Products Technical Service at 1-800-926-9768.**

Engine Make: \_\_\_\_\_

Engine Serial Number: \_\_\_\_\_

Engine Model Number: \_\_\_\_\_





# Table of Contents

Introduction .....	iii
General Information .....	1
Unit Decals - Exterior .....	2
Unit Decals - Interior .....	4
Unit Decals - Control Panel .....	6
Unit Decals - Power Panel .....	8
Enclosure Panels .....	10
Roof and Doors to Unit .....	12
Enclosure Frame Assembly .....	14
Front Enclosure Assembly .....	16
Door Assembly - Controls - Top and Bottom .....	18
Door Assembly - Rear Left .....	20
Door Assembly - Rear .....	22
Door Assembly - Front Left .....	24
Door Assembly - Front Right .....	26
Fuel Panel Assembly .....	28
Alternative Fuel Panel Assembly (if Equipped) .....	30
Receptacle / E-stop Panel Assembly .....	32
Receptacle Panel Assembly .....	34
Control Panel Door Assembly .....	36
Control Panel Assembly (2 of 2) .....	38
Control Panel Assembly (1 of 2) .....	40
Breaker/Lug Box Assembly .....	42
Breaker and Lug Assembly .....	44
Air Filter Assembly .....	46
Cooling System Assembly .....	48
Cooling System Hoses .....	50
Lift Structure .....	52
Engine and Generator To Unit .....	54
Engine Block Heater (If Equipped) .....	56
Supplementary Load Accessory (If Equipped) .....	58
Engine Assembly .....	60
Generator Assembly .....	62
Generator Assembly (V-Flex Option) .....	64
Exhaust & After Treatment Assembly .....	66
Exhaust Support & DEF Assembly .....	68
Skid and Fuel Tank Assembly .....	70
Trailer Assembly .....	72
Axle Assembly .....	74
Brake Line Assembly .....	76
Recommended Spare Parts - Engine and Service Kits .....	78
Recommended Spare Parts - Electrical and Trailer .....	80



# General Information

Products supplied may vary from the illustrations in this parts manual. Parts not shown in the illustration are indicated by a double dash (--) in the item column.

When ordering replacement parts, be prepared to provide the model number, serial number, part number, purchase order number (if required), customer ID, shipping address and desired shipping method.

**Note:** Illustrated below are the unit identification tag and the VIN tag. These tags contain the model number, serial number, vehicle identification number (VIN) and tire loading information.

## UNIT ID Tag

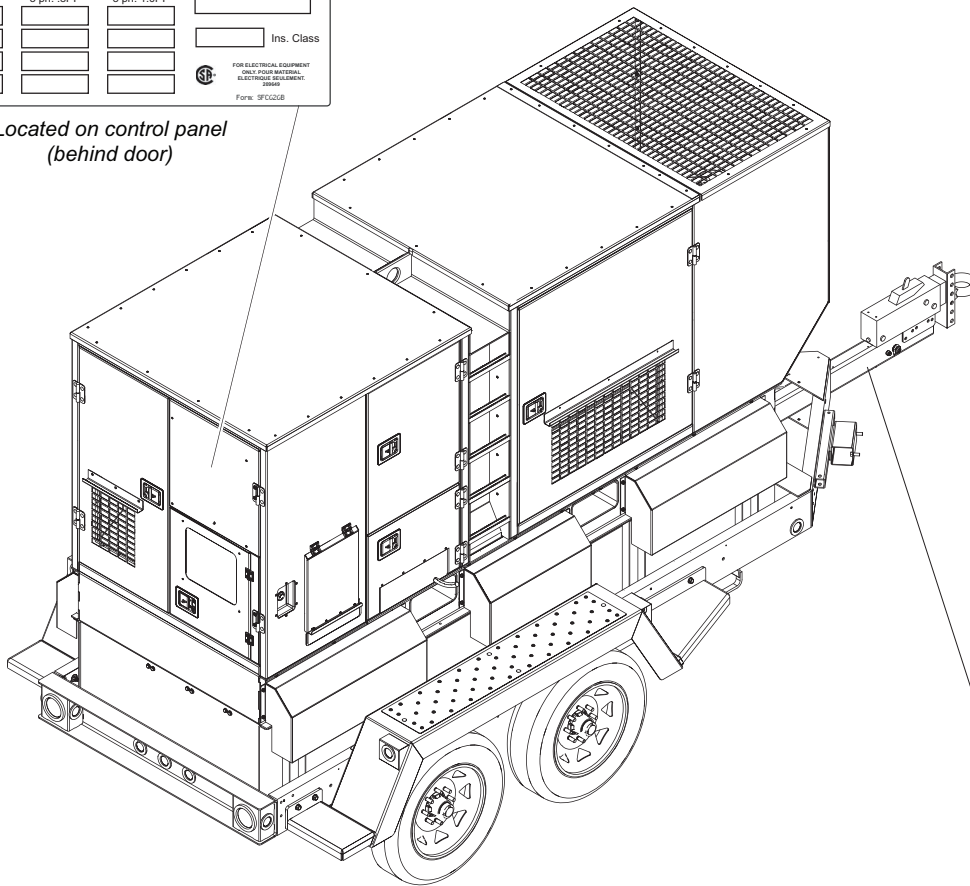
Manufactured by Magnum Power Products, LLC.,  
a subsidiary of Generac Power Systems, Inc.  
(920) 361-4442 (800) 926-9768

Country of Origin	Model	Serial Number
Manufacturing Code	Weight (lbs/kg)	RPM/Frequency
1 ph. 1.0PF	3 ph. .8PF	3 ph. 1.0PF
KW		
KVA		
V		
A		
		Rating
		Ins. Class


FOR ELECTRICAL EQUIPMENT  
ONLY: POOR MATERIAL  
ELECTRICAL SELECTION  
= DANGER

Form: 5FCC026

Located on control panel  
(behind door)

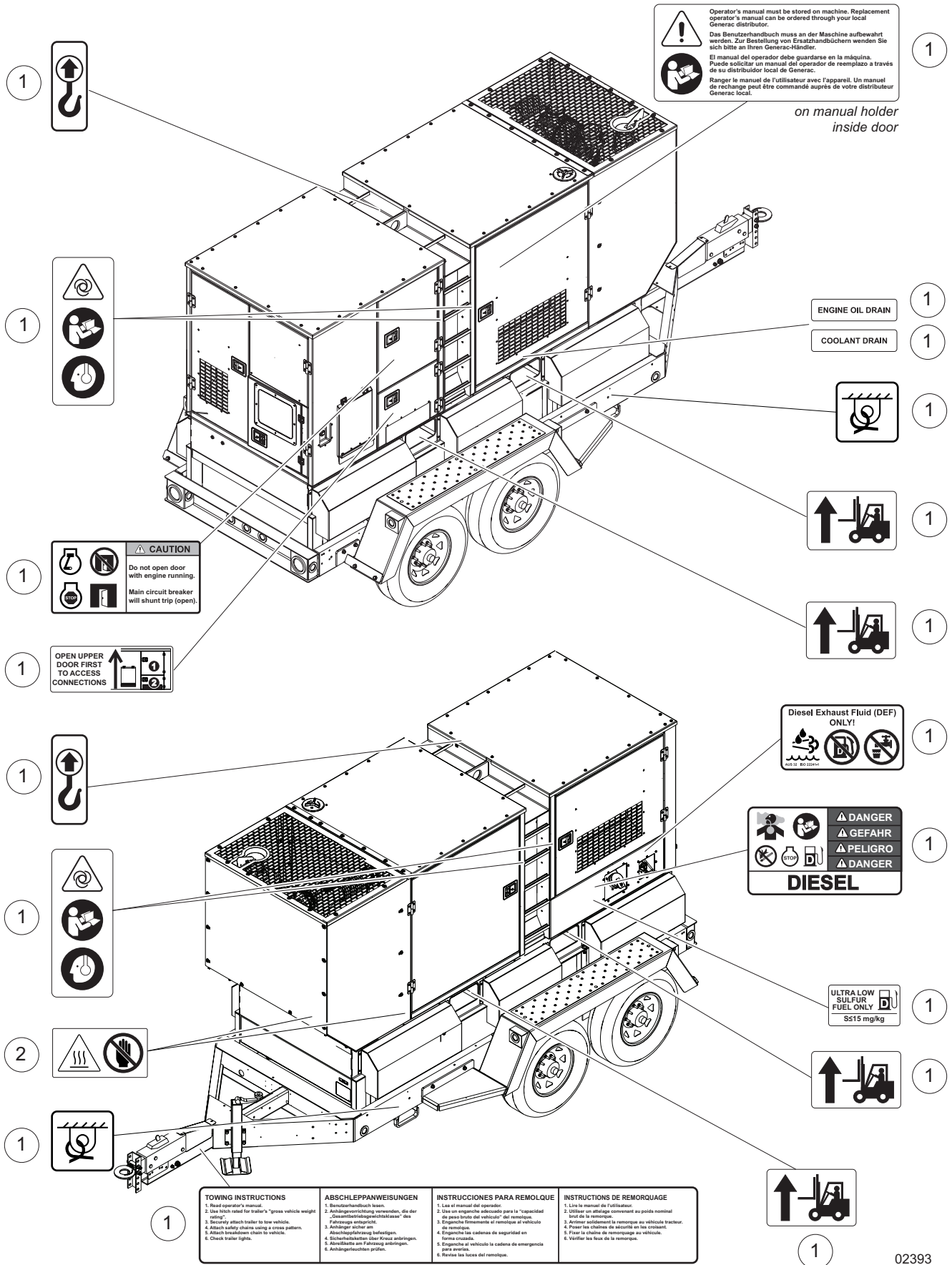


## VIN Tag

MANUFACTURED BY/FABRIQUE PAR: Magnum Power Products LLC	COLD INF. PRESS./ DATE: 00/0000	 <b>TIRE AND LOADING INFORMATION</b> <b>RENSEIGNEMENTS SUR LES PNEUS ET LE CHARGEMENT</b>
GVWR/PNBV: 000KG (0000LBS)	PRESS. DE / GONF A FROID - KPA(PSI/LPC) SGL / DUAL	
GAWR / PNBE	TIRE / PNEU	RIM / JANTE
EACH AXLE		
<small>THIS VEHICLE CONFORMS TO ALL APPLICABLE STANDARDS PRESCRIBED UNDER THE U.S. FEDERAL MOTOR VEHICLE SAFETY STANDARDS(FMVSS) AND CANADIAN MOTOR VEHICLE SAFETY REGULATIONS IN EFFECT ON THE DATE OF MANUFACTURE.  <small>CE VEHICULE EST CONFORME A TOUTES LES NORMES QUI LIUI SONT APPLICABLES EN VERTU DU REGLEMENT SUR LA SECURITE DES VEHICULES AUTOMOBILES DU CANADA EN VIGUEUR A LA DATE SA FABRICATION.</small> </small>		
VIN/N.I.V.: 000000000000000000		MODEL: <b>XXX000</b> TYPE: <b>TRAILER</b>
<small>SEE OWNER'S MANUAL FOR ADDITIONAL INFORMATION          VOIR LE MANUEL DE L'USAGER POUR PLUS DE RENSEIGNEMENTS</small>		

02288

# UNIT DECALS - EXTERIOR

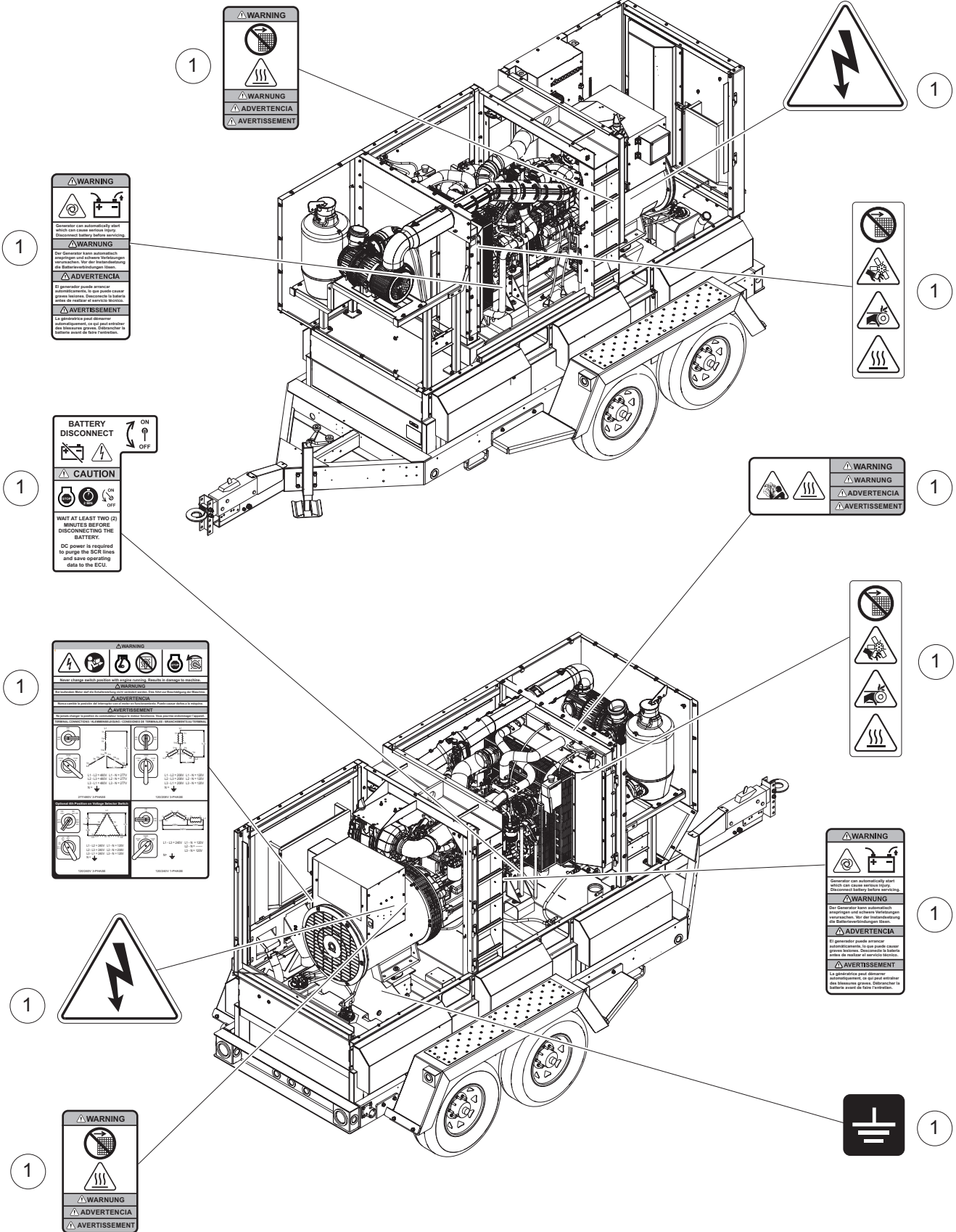


## UNIT DECALS - EXTERIOR

---

<b>Item</b>	<b>Part No.</b>	<b>Qty</b>	<b>Description</b>	<b>Notes</b>
1	51551	1	Decal set, safety	
2	51552	2	Decal, high temp warning	

# UNIT DECALS - INTERIOR



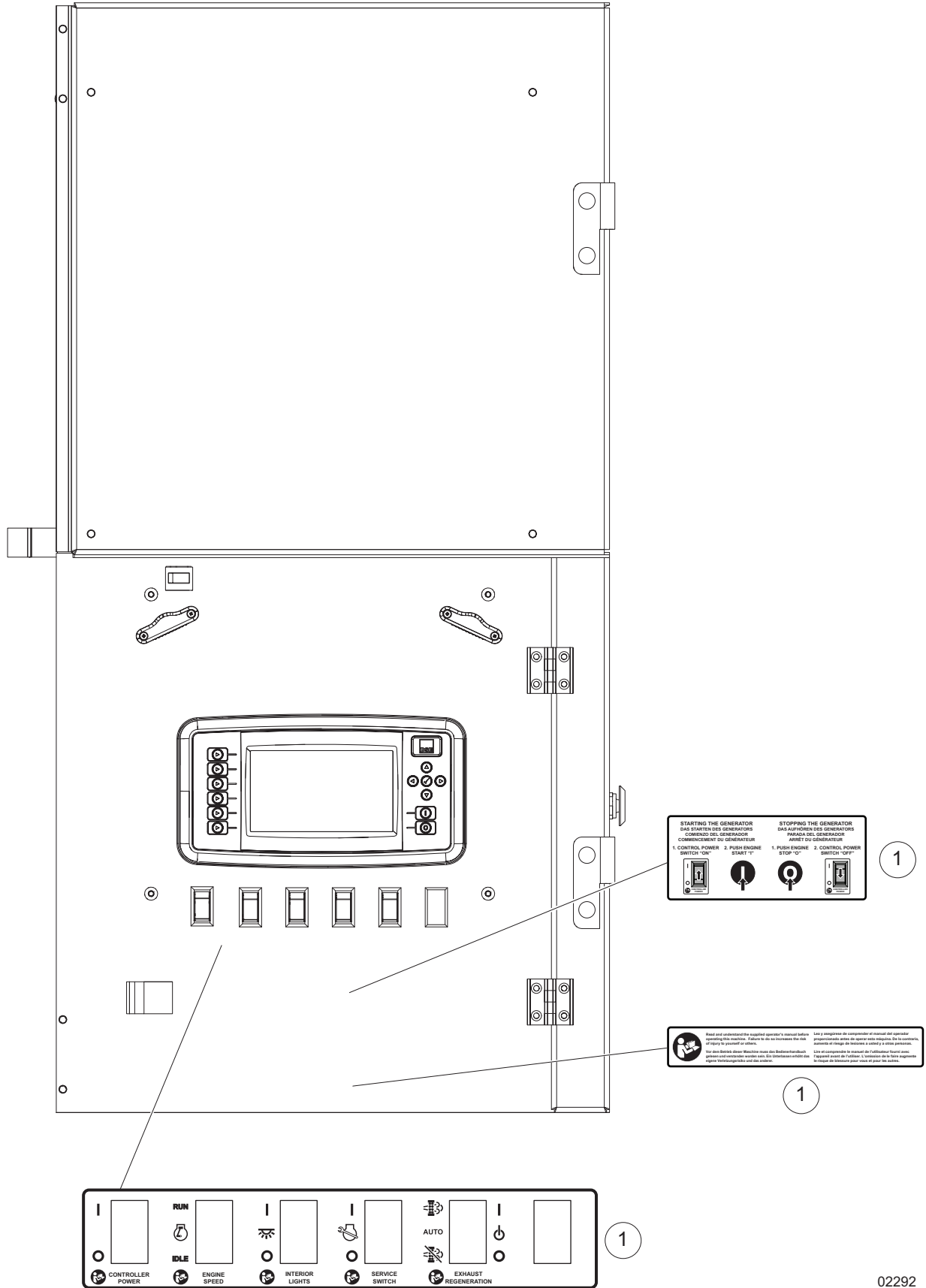
02427

## UNIT DECALS - INTERIOR

---

Item	Part No.	Qty	Description	Notes
1	51551	1	Decal set, safety	

# UNIT DECALS - CONTROL PANEL



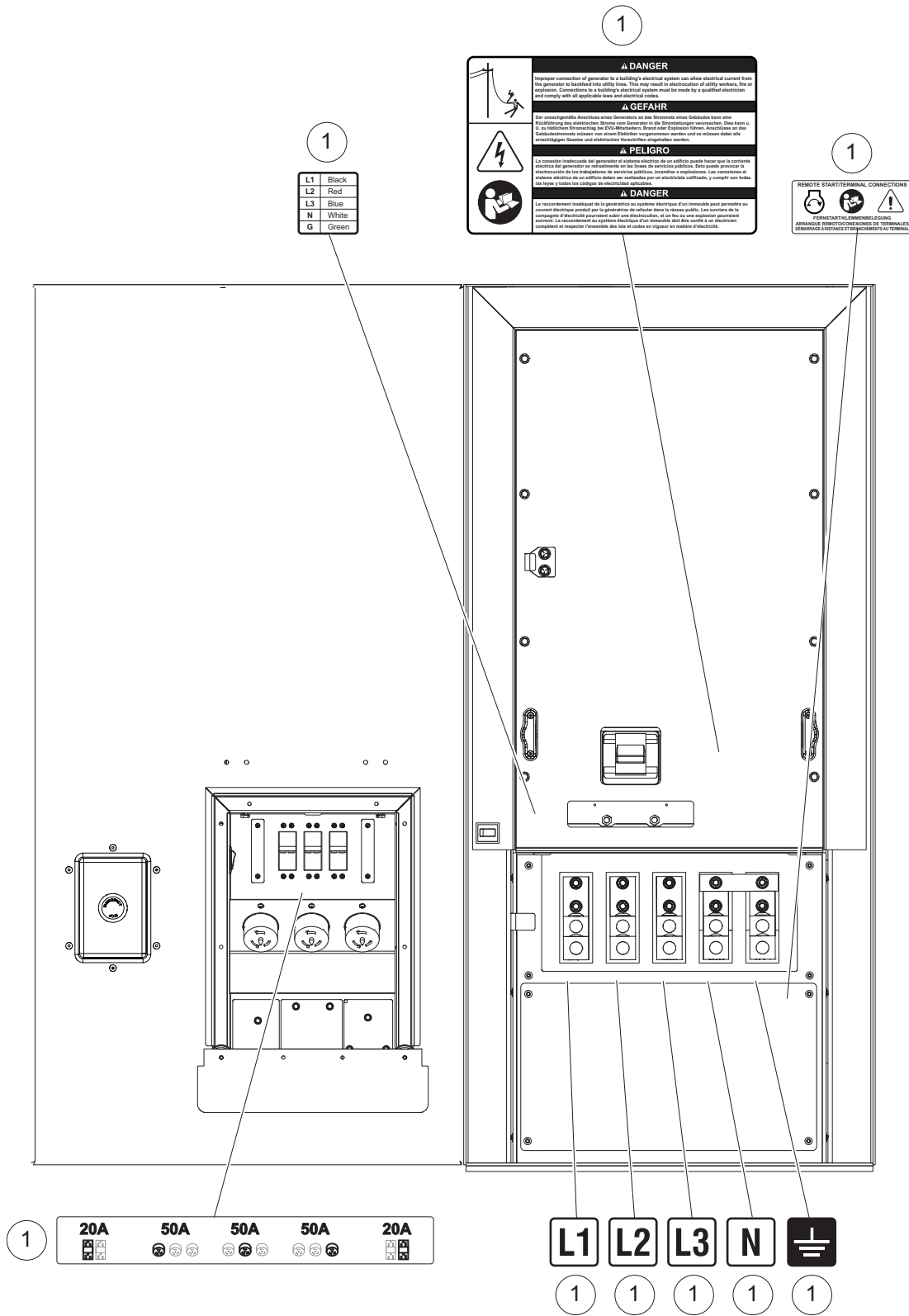


## UNIT DECALS - CONTROL PANEL

---

Item	Part No.	Qty	Description	Notes
1	51550	1	Decal set, controls	

# UNIT DECALS - POWER PANEL



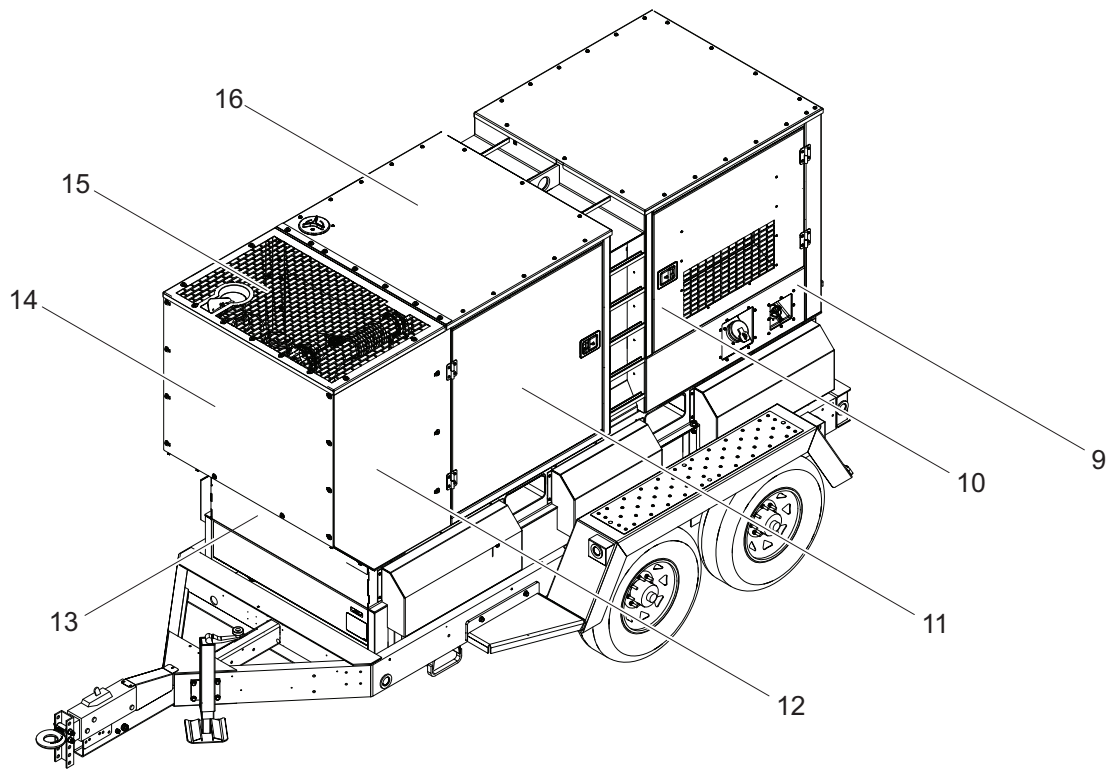
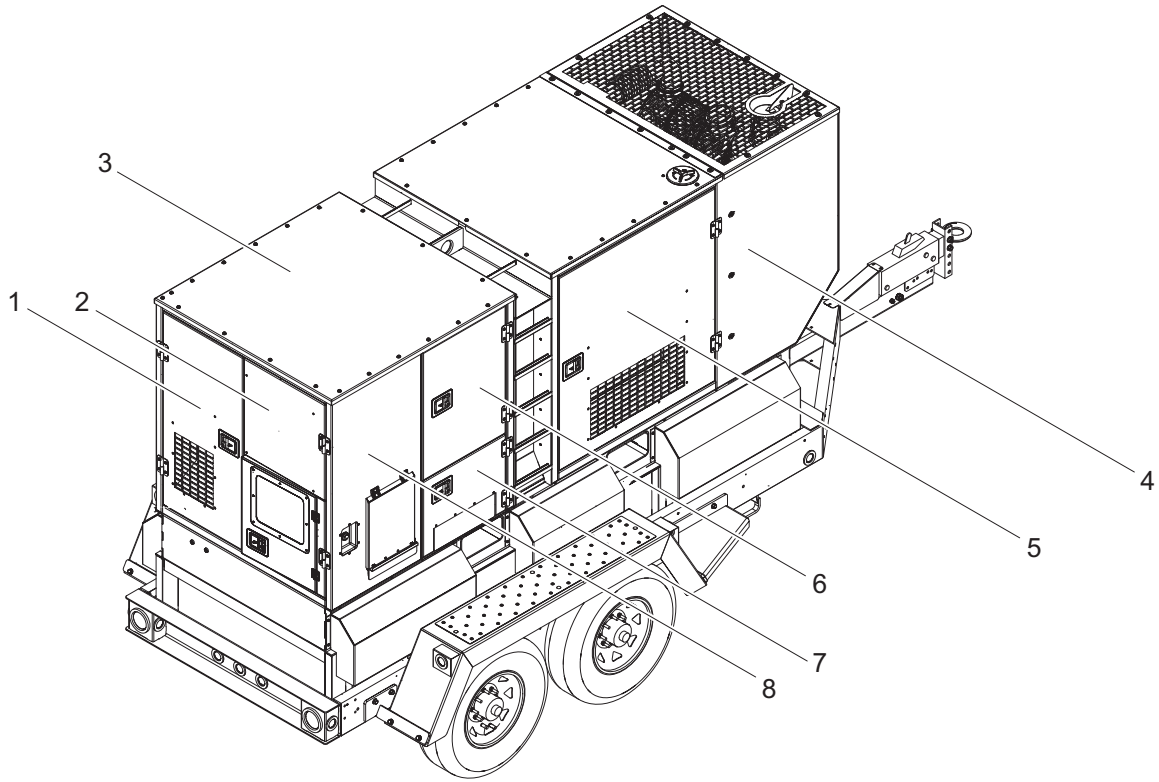
02329

## UNIT DECALS - POWER PANEL

---

Item	Part No.	Qty	Description	Notes
1	51551	1	Decal set, safety	

# ENCLOSURE PANELS

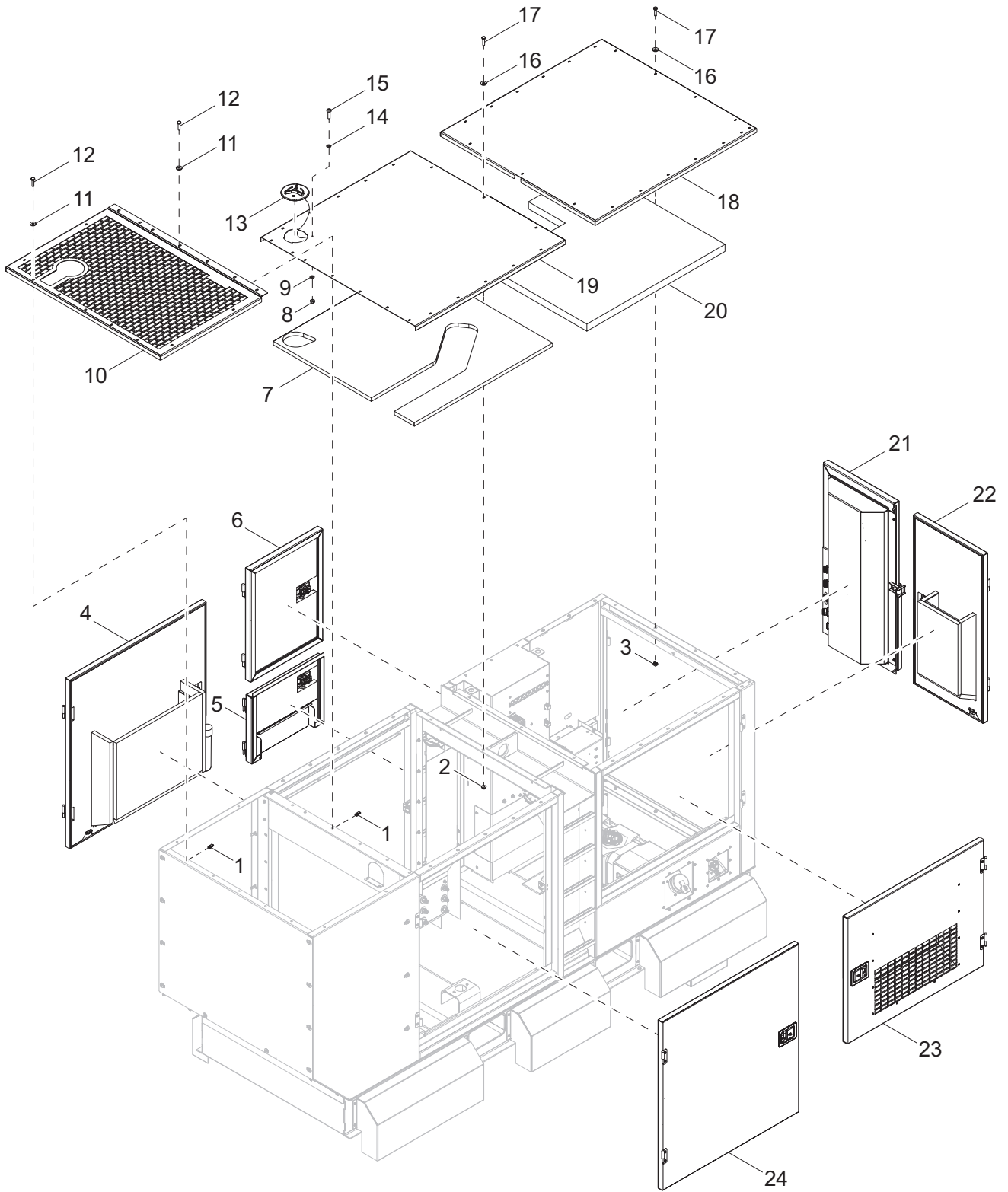


02397

## ENCLOSURE PANELS

<b>Item</b>	<b>Part No.</b>	<b>Qty</b>	<b>Description</b>	<b>Notes</b>
1	10000018236	1	Assembly, rear door	<a href="#">Page 22</a>
2	10000017497	1	Assembly, controls door	<a href="#">Page 36</a>
3	10000018574	1	Panel, top plate - back	<a href="#">Page 12</a>
4	10000023551	1	Assembly, front panel - right	<a href="#">Page 16</a>
5	10000016301	1	Assembly, front door - right	<a href="#">Page 26</a>
6	10000017429	1	Assembly, control door - top	<a href="#">Page 18</a>
7	10000017467	1	Assembly, control door - bottom	<a href="#">Page 18</a>
8	10000018322	1	Assembly, receptacle / e-stop panel	<a href="#">Page 30</a>
9	10000023506	1	Assembly, fuel panel	<a href="#">Page 28</a>
10	10000018133	1	Assembly, rear door - left	<a href="#">Page 20</a>
11	10000016216	1	Assembly, front door - left	<a href="#">Page 24</a>
12	10000023525	1	Assembly, front panel - left	<a href="#">Page 16</a>
13	10000023508	1	Assembly, front access panel	<a href="#">Page 16</a>
14	10000023519	1	Assembly, front panel	<a href="#">Page 16</a>
15	10000019010	1	Panel, roof - fwd	<a href="#">Page 12</a>
16	10000018537	1	Panel, top cover - front	<a href="#">Page 12</a>

# ROOF AND DOORS TO UNIT

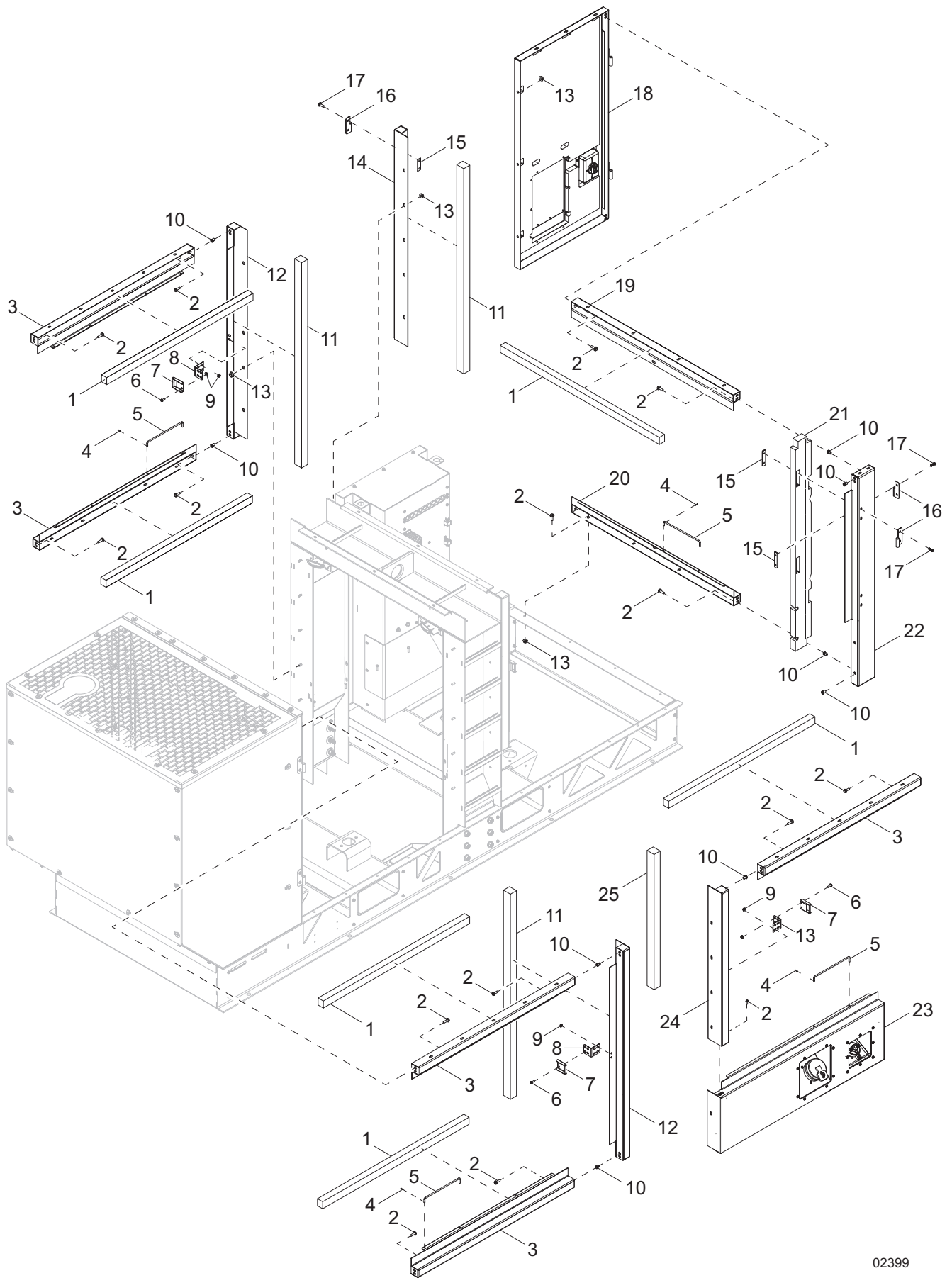


02398

## ROOF AND DOORS TO UNIT

Item	Part No.	Qty	Description	Notes
1	60505	16	Nut, .312-18 u-clip - long type	
2	60161	6	Nut, .250-20 serrated flange, G5	
3	15424	27	Nut, .250-20 cage, G5	
4	10000023613	1	Assembly, front door - curbside	
5	10000017475	1	Assembly, control door - bottom	
6	10000017429	1	Assembly, control door - top	
7	10000023526	1	Foam, front roof panel	
8	60061	1	Nut, 10-32 nylock	
9	60067	1	Washer, #10 flat	
10	10000019010	1	Panel, front roof	
11	60452	1	Washer, .312 flat - bonded rubber	
12	60507	12	Screw, .312-18 x 1.00 standard hex - SS	
13	0C2634A	1	Cover, radiator access	
14	61222	1	Washer, #10 sealing	
15	60398	1	Screw, 10-32 x .500 pan Phillips	
16	10000024181	33	Washer, sealing .275ID 1.00 OD	
17	60620	33	Screw, .250-20 x 1.00 standard hex - SS	
18	10000018574	1	Panel, roof - rear	
19	10000018537	1	Panel, roof - forward	
20	10000017494	1	Foam, top back	
21	10000017497	1	Assembly, controls door	
22	10000023516	1	Assembly, door back - left	
23	10000023561	1	Assembly, door rear- left	
24	10000023507	1	Assembly, door front - left	

# ENCLOSURE FRAME ASSEMBLY



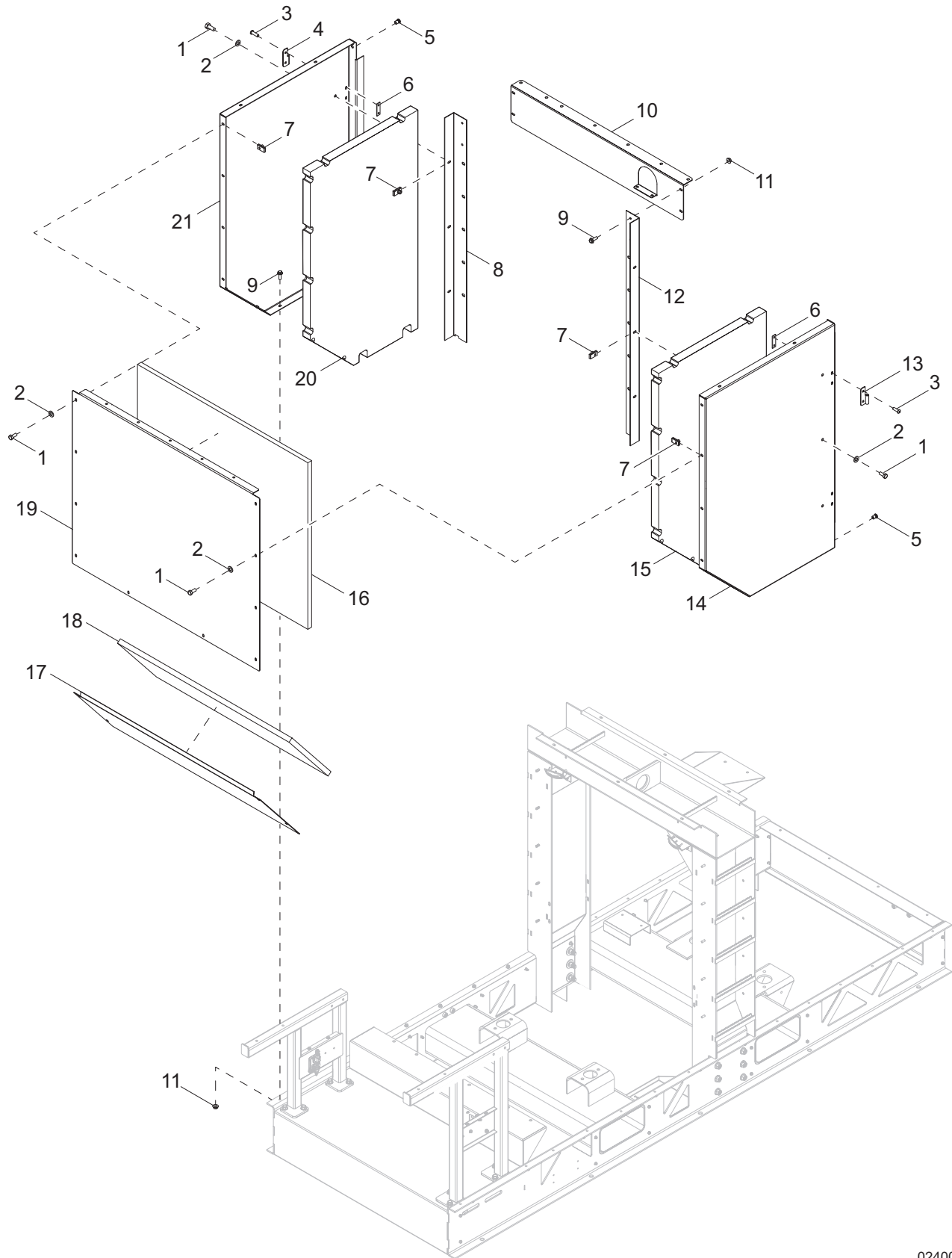
02399



## ENCLOSURE FRAME ASSEMBLY

Item	Part No.	Qty	Description	Notes
1	10000023535	6	Foam, spacer panel	
2	60616	58	Screw, .312-18 x 1.25 serrated flange hex	
3	10000018547	5	Support, top - long	
4	60048	4	Pin, roll .125 x .625	
5	18900ZC	4	Rod, door prop	
6	63358	6	Screw, .250-20 x .625 hex	
7	10000013494	3	Weldment, striker	
8	10000013491	3	Striker, side angle	
9	60161	12	Nut, .250-20 serrated flange, G5	
10	63097	16	Insert, threaded .312-18 hex .027-.150 grip	
11	10000023563	2	Foam, door side frame	
12	10000019388	1	Panel frame, side	
13	60175	6	Screw, .250-20 x .500 serrated flange hex, G5	
14	10000020211	1	Upright, breaker door	
15	10000011935	12	Plate, hinge back - threaded	
16	18460B	6	Hinge, left (female)	
17	63346	12	Screw, .312-18 x 1.00 Scytrx- SS	
18	10000018322	1	Assembly, receptacle / E-stop panel	
19	10000019398	1	Panel frame, top - rear	
20	10000019441	1	Panel frame, bottom - rear	
21	10000023571	1	Foam, rear panel - left	
22	10000018580	1	Panel, rear - left	
23	10000023506	1	Assembly, panel - left rear	
24	10000018527	1	Panel frame, top - small	
25	10000023564	1	Foam, door frame panel	

# FRONT ENCLOSURE ASSEMBLY

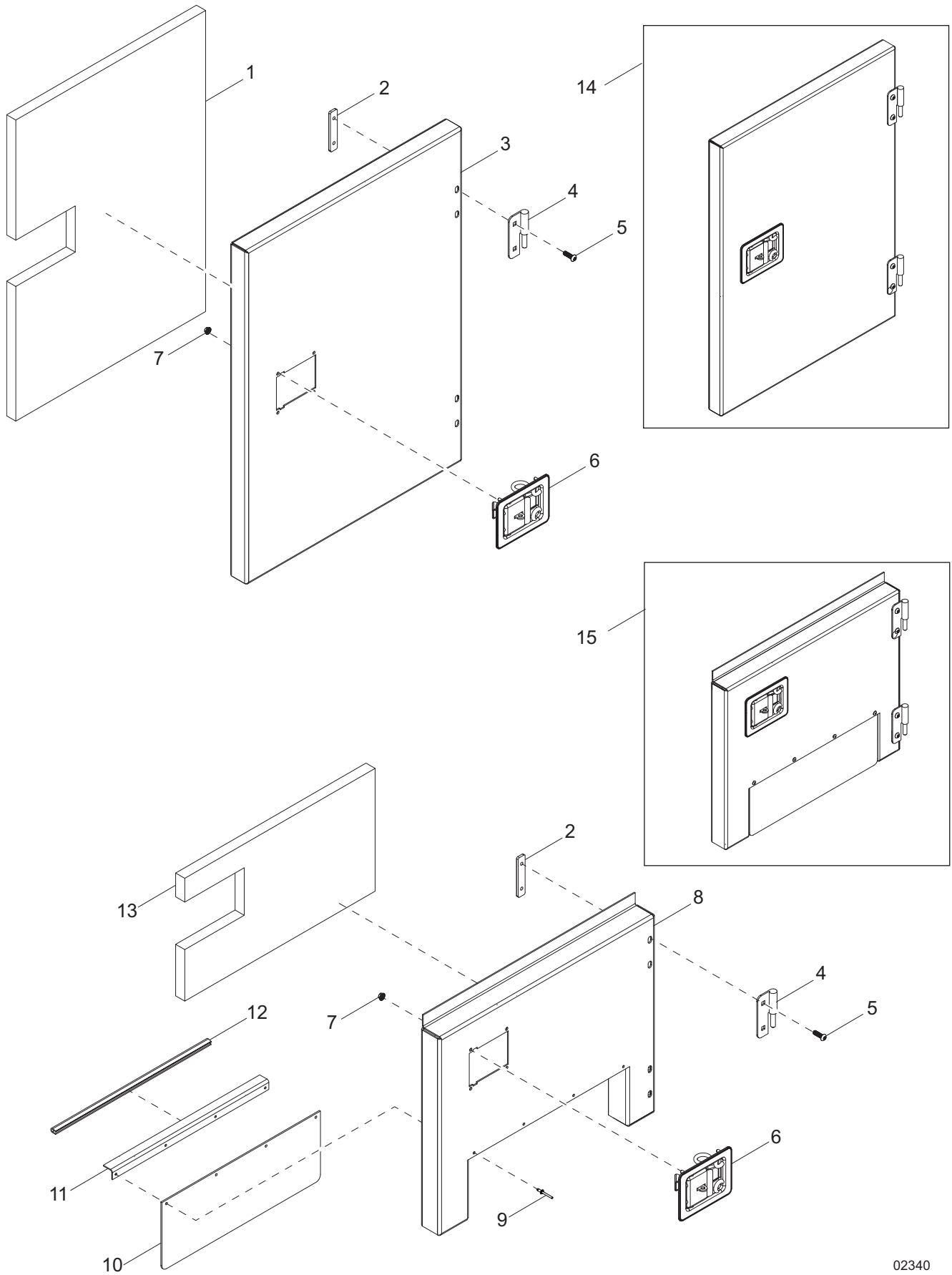


02400

## FRONT ENCLOSURE ASSEMBLY

Item	Part No.	Qty	Description	Notes
1	60507	16	Screw, .312-18 x 1.00 standard hex - SS	
2	60452	16	Washer, .312 flat w/bonded rubber - SS	
3	63346	8	Screw, .312-18 x 1.00 Scytrx - SS	
4	18460B	2	Hinge, left (female)	
5	63097	8	Insert, threaded .312-18 hex .027-.150 grip	
6	36672ZC	4	Plate, hinge back - threaded	
7	60505	16	Nut, .312-18 u-clip - long type	
8	1000020195	1	Panel, bulkhead - right	
9	60616	4	Screw, .312 x .750 serrated flange hex, G5	
10	10000018539	1	Panel, bulkhead - top	
11	60095	4	Nut, .312-18 serrated flange	
12	10000020213	1	Panel, bulkhead - left	
13	18462B	2	Hinge, right (female)	
14	10000018991	1	Panel, front - left	
15	10000024713	1	Foam, front panel - left	
16	10000023553	1	Foam, front panel,	
17	10000018934	1	Panel, access	
18	10000017580	1	Insulation, heat skid - front	
19	10000018974	1	Panel, front	
20	10000024543	1	Foam, front panel - right	
21	10000018973	1	Panel, front - right	

# DOOR ASSEMBLY - CONTROLS - TOP AND BOTTOM

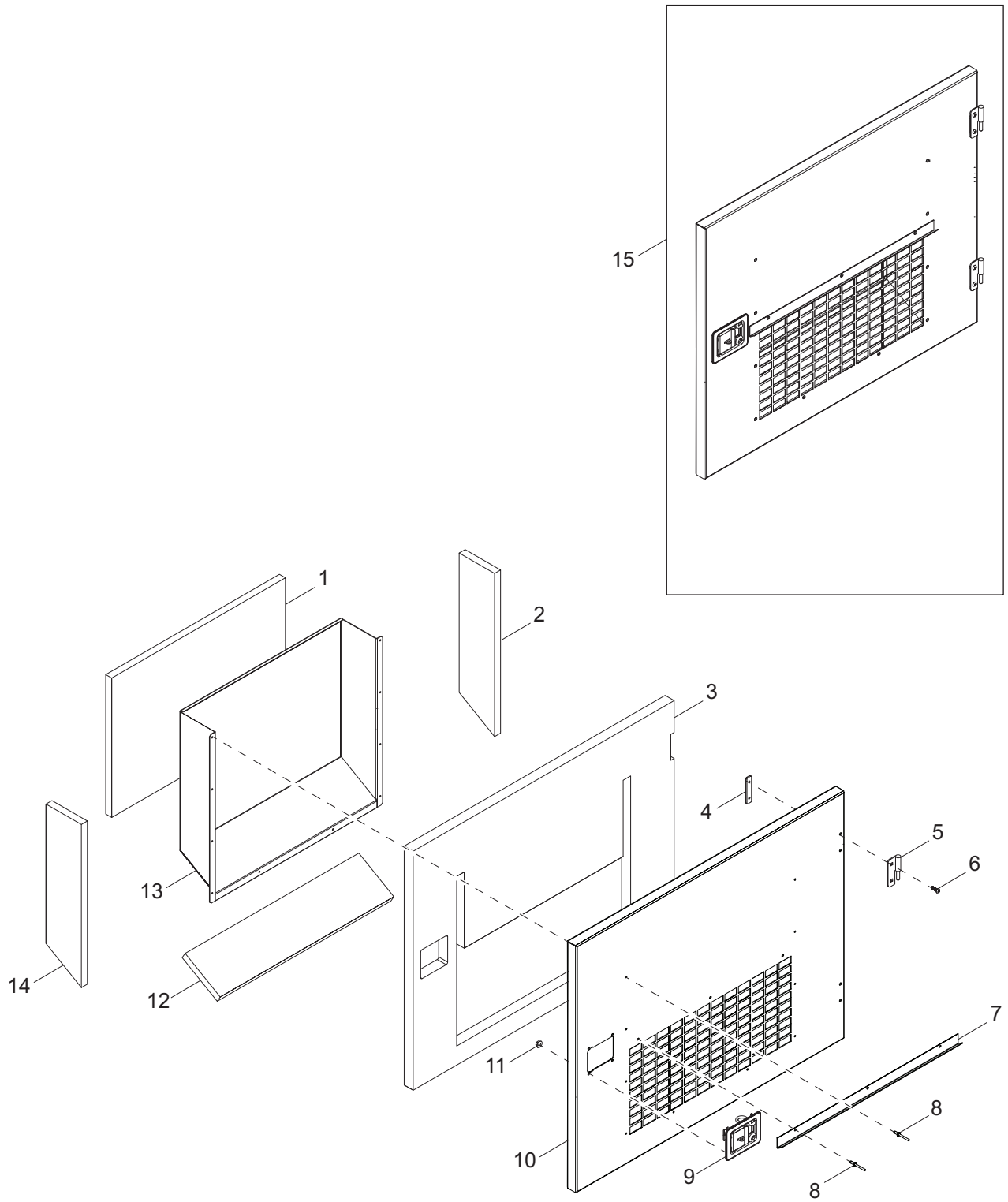


02340

## DOOR ASSEMBLY - CONTROLS - TOP AND BOTTOM

Item	Part No.	Qty	Description	Notes
1	10000017399	1	Foam, controls door	
2	10000011935	4	Plate, hinge back - threaded	
3	54024W	1	Door, controls - top	
4	18461B	4	Hinge, left - male	
5	63346	8	Screw, .312-18 x 1.00 Scytrx - SS	
6	54777	2	Latch, paddle slam - black	
7	60036	8	Nut, M6-1.00 serrated flange, G8.8	
8	54026W	1	Door, controls - bottom	
9	60268	4	Rivet, .188 diameter x .126 to .250 grip	
10	54027	1	Flap	
11	54028W	1	Bracket, door flap	
12	56326	1	Guard, edge	
13	10000017493	1	Foam, lower control door	
14	10000017429	1	Assembly, control door - top	Items 1-7
15	10000017467	1	Assembly, control door - bottom	Items 2, 4-13

# DOOR ASSEMBLY - REAR LEFT

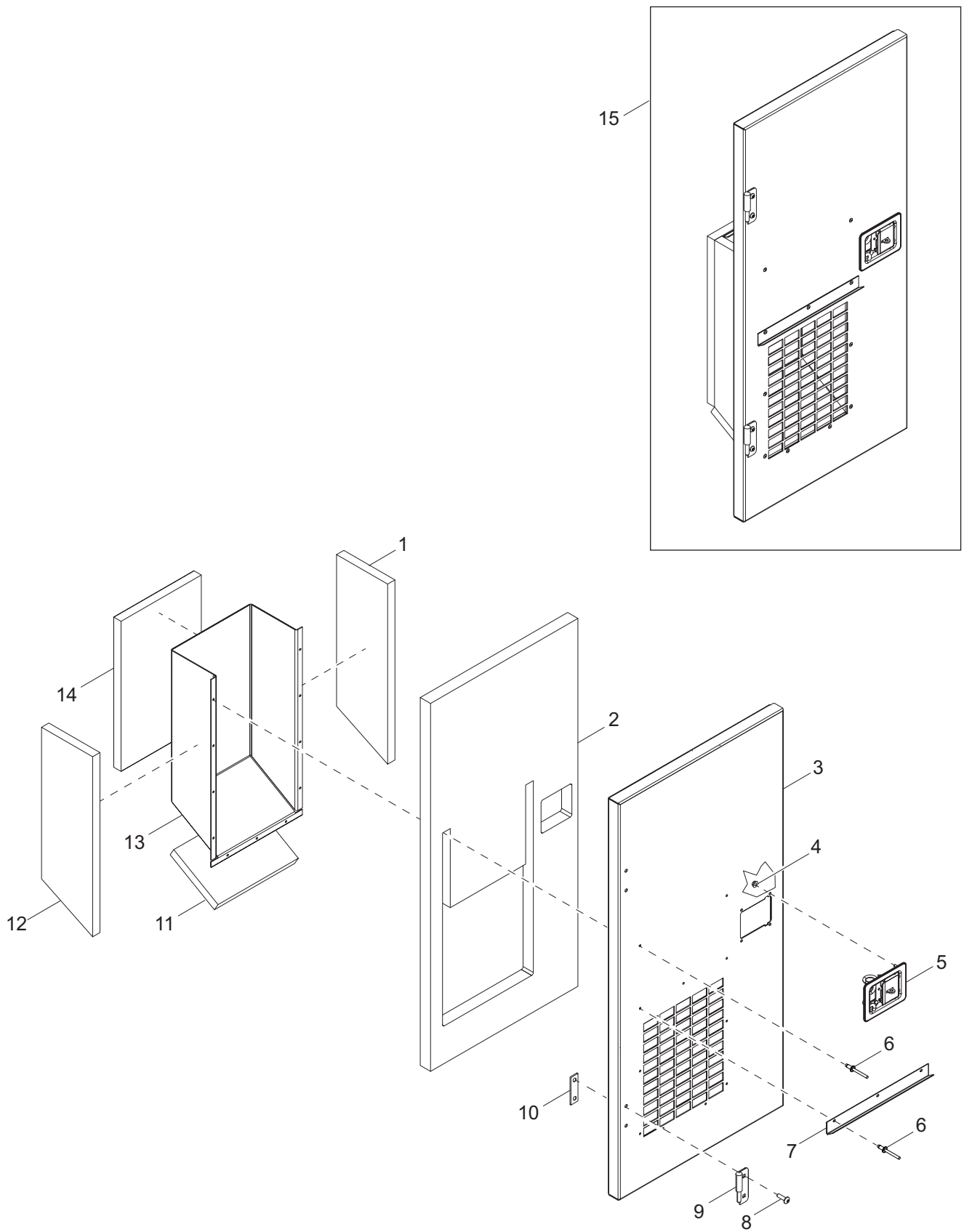


02401

## DOOR ASSEMBLY - REAR LEFT

Item	Part No.	Qty	Description	Notes
1	10000023601	1	Foam, vent back	
2	10000023586	1	Foam, vent side	
3	10000023591	1	Foam, rear door - left	
4	10000011935	2	Plate, hinge back - threaded	
5	18461B	2	Hinge, left - male	
6	63346	4	Screw, .312-18 x 1.00 Scytrx - SS	
7	10000023558	1	Rain gutter, large door	
8	60268	13	Rivet, .188 x .126 to .250 grip - SS	
9	54777	1	Latch, paddle slam - black	
10	10000018526	1	Panel, rear door - left	
11	60036	4	Nut, M6-1.00 serrated flange, G8.8	
12	10000023610	1	Foam, vent bottom	
13	10000018538	1	Vent, rear - left	
14	10000023567	1	Foam, vent side	
15	10000023561	1	Assembly, rear door - left	

# DOOR ASSEMBLY - REAR



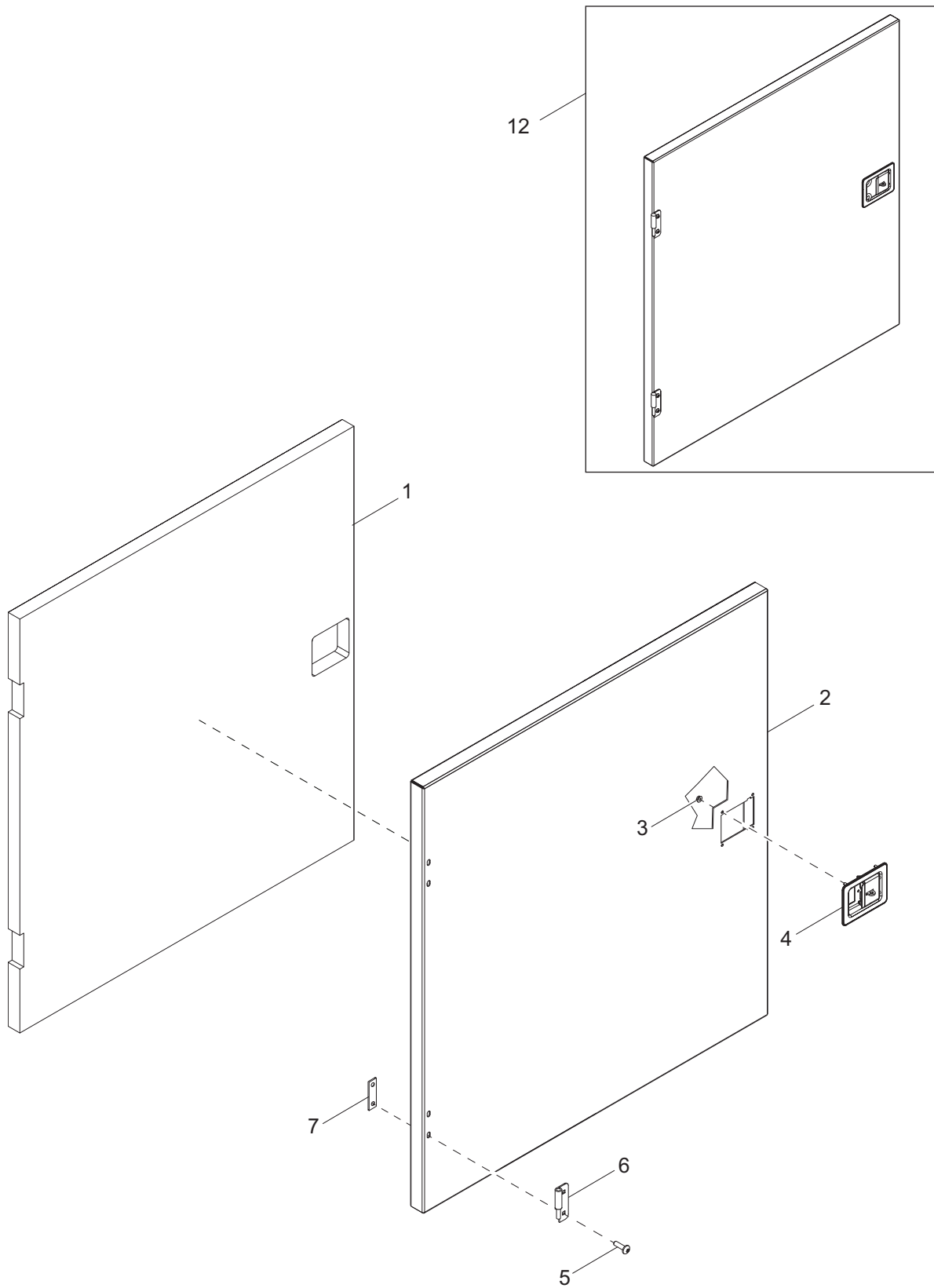
02402



## DOOR ASSEMBLY - REAR

Item	Part No.	Qty	Description	Notes
1	10000023586	1	Foam, vent side	
2	10000024587	1	Foam, rear access door	
3	10000018553	1	Panel, rear access door	
4	60036	4	Nut, M6-1.00 serrated flange, G8.8	
5	54777	1	Latch, paddle slam - black	
6	60268	11	Rivet, .188 x .163 to .250 grip - SS	
7	10000023616	1	Rain gutter, small door	
8	63346	4	Screw, .312-18 x 1.00 Scytrx - SS	
9	18459B	2	Hinge, right - male	
10	10000011935	2	Plate, hinge back - threaded	
11	10000023588	1	Foam, vent - bottom	
12	10000023567	1	Foam, vent - left	
13	10000018555	1	Panel, vent - rear door	
14	10000023611	1	Foam, vent - back	
15	10000023516	1	Assembly, rear access door	

# DOOR ASSEMBLY - FRONT LEFT



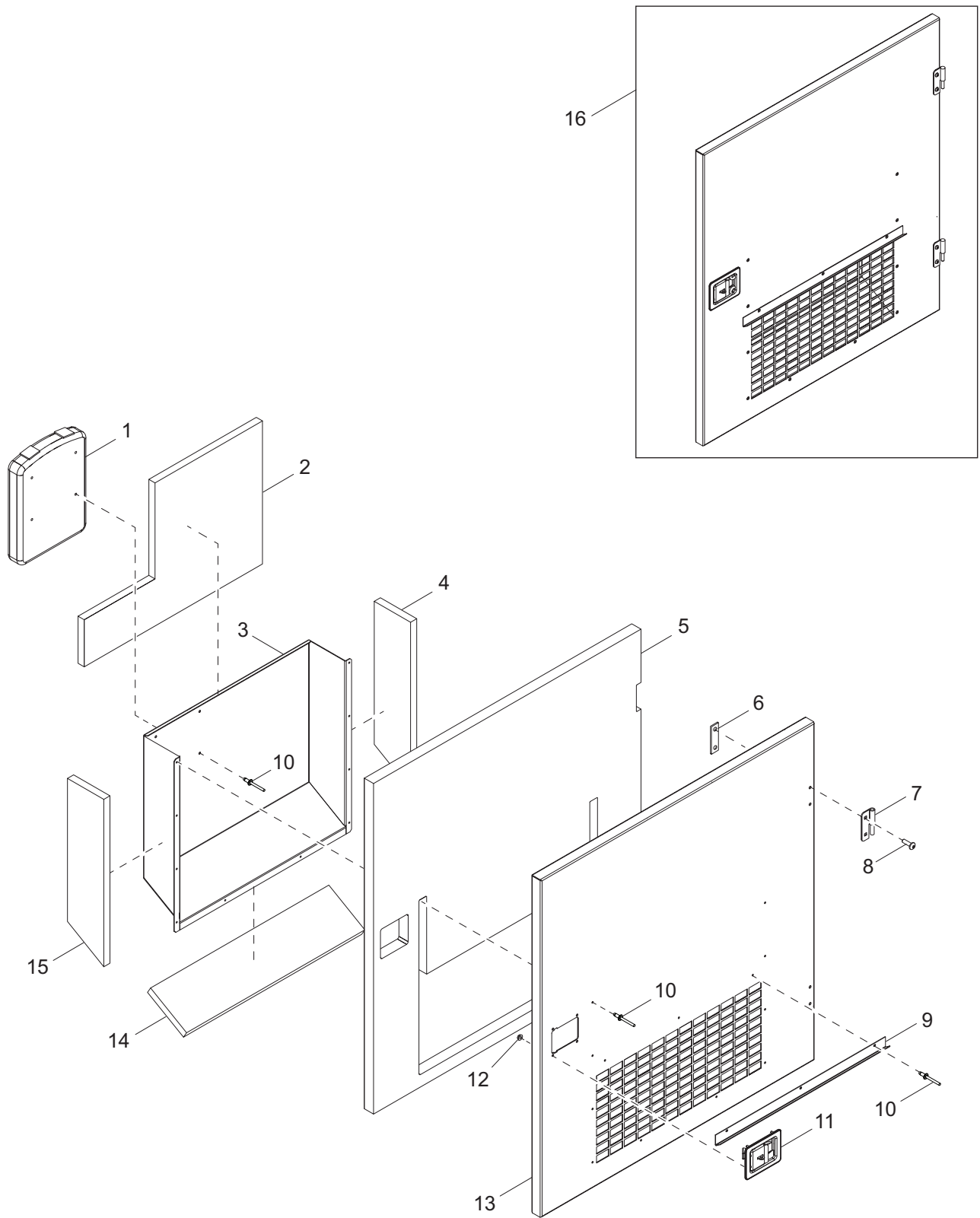
02403

## DOOR ASSEMBLY - FRONT LEFT

---

Item	Part No.	Qty	Description	Notes
1	10000023589	1	Foam, front door - left	
2	10000018525	1	Panel, front door - left	
3	60036	4	Nut, M6-1.00 serrated flange, G8.8	
4	54777	1	Latch, paddle slam - black	
5	63346	4	Screw, .312-18 x 1.0 Scytrx - SS	
6	18459B	2	Hinge, right (male)	
7	36672ZC	2	Plate, hinge back - threaded	
8	10000023507	1	Assembly, front door - left	

# DOOR ASSEMBLY - FRONT RIGHT

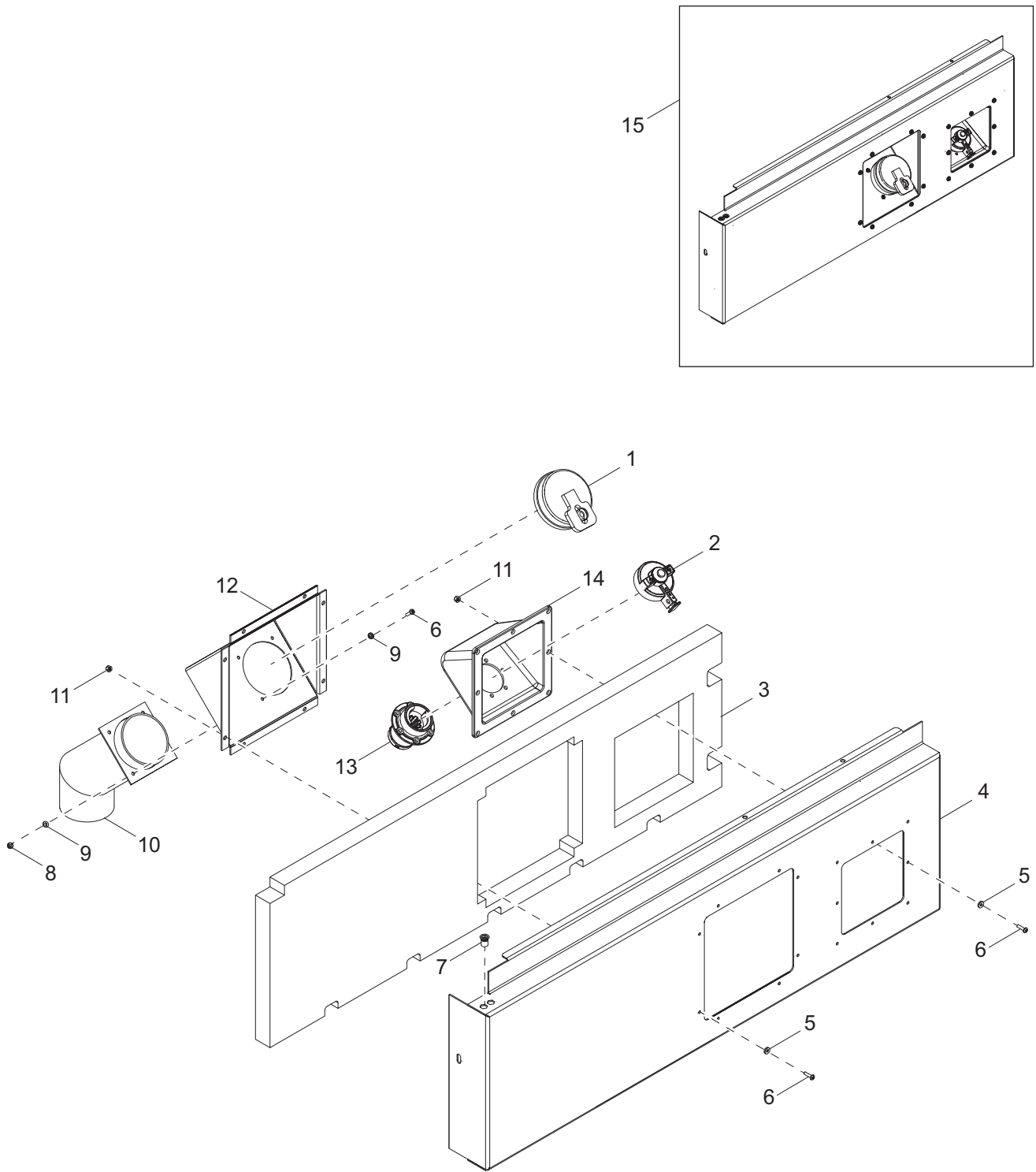


02404

## DOOR ASSEMBLY - FRONT RIGHT

Item	Part No.	Qty	Description	Notes
1	24540	1	Holder, manual - plastic	
2	10000023352	1	Foam, vent back	
3	10000018538	1	Panel, rear vent - right	
4	10000023586	1	Foam, vent side	
5	10000023568	1	Foam, side door - right	
6	36672ZC	2	Plate, hinge back - threaded	
7	18461B	2	Hinge, left - male	
8	63346	4	Screw, .312-18 x 1.0 Scytrx - SS	
9	10000023558	1	Rain gutter, large door	
10	60268	17	Rivet, .188 diameter x .126 to .250 grip - SS	
11	54777	1	Latch, paddle slam - black	
12	60036	4	Nut, M6-1.00 serrated flange, G8.8	
13	10000018548	1	Panel, front - right	
14	10000023610	1	Foam, vent bottom	
15	10000023567		Foam, vent side	
16	10000023613	1	Assembly, front door - right	

# FUEL PANEL ASSEMBLY

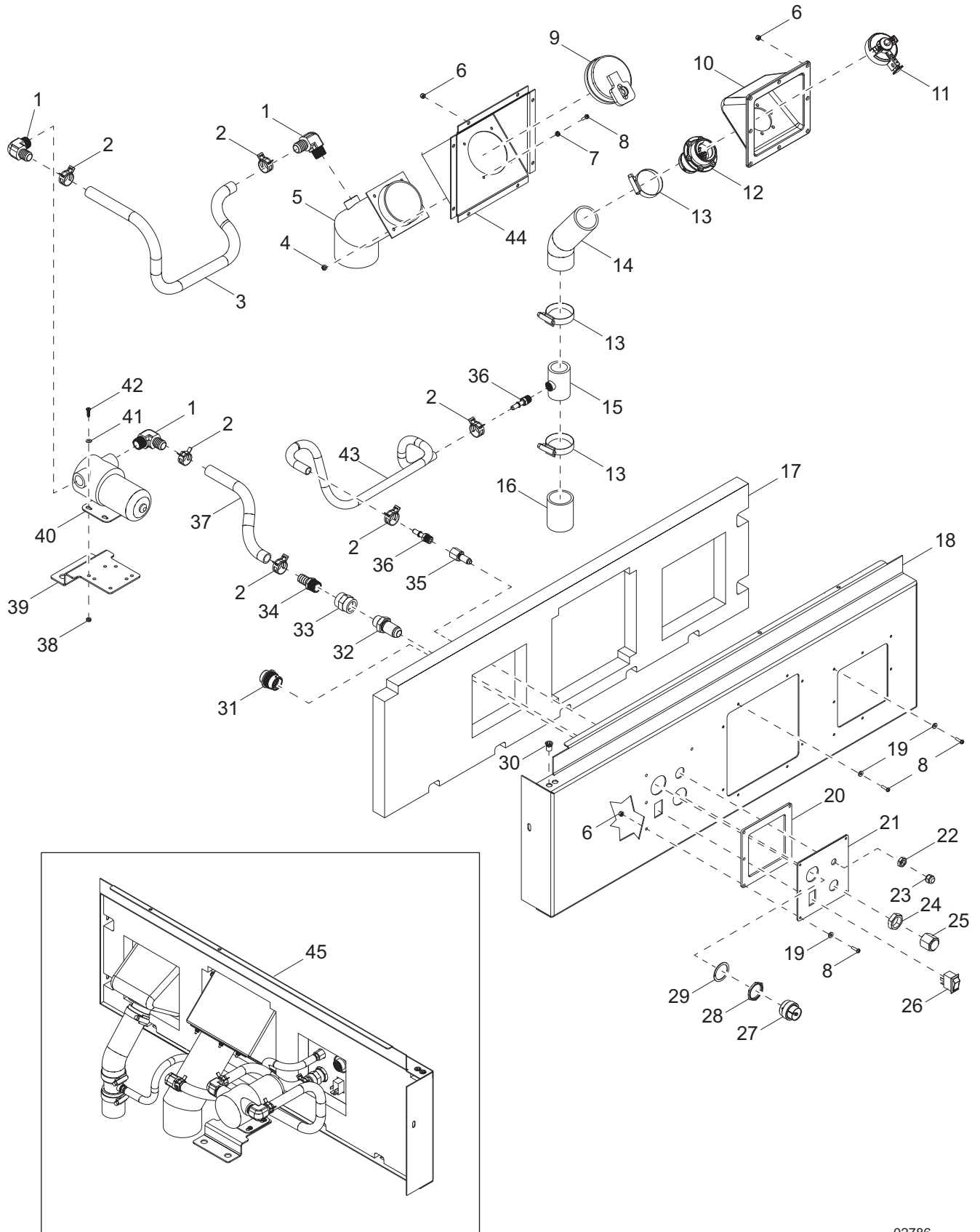


02405

## FUEL PANEL ASSEMBLY

Item	Part No.	Qty	Description	Notes
1	55104	1	Cap, fuel fill 3.50 - green	
2	54005	1	Cap, DEF fill	
3	10000023612	1	Foam, fill panel	
4	10000018554	1	Panel, rear - left	
5	61222	16	Washer, #10 sealing	
6	61180	20	Screw, 10-32 x .750 pan Phillips	
7	63097	8	Insert, threaded .313-18 hex .027-.150 grip	
8	60061	4	Nut, 10-32 nylock	
9	60067	8	Washer, #10 flat - SS	
10	23710B	1	Weldment, 3.50 fuel fill neck	
11	61045	16	Nut, 10-32 serrated flange	
12	23697B	1	Panel, fuel inlet	
13	54006	1	Adapter, DEF fill	
14	54007	1	Assembly, fluid guard	
15	10000023506	1	Assembly, rear panel - left	

# ALTERNATIVE FUEL PANEL ASSEMBLY (IF EQUIPPED)



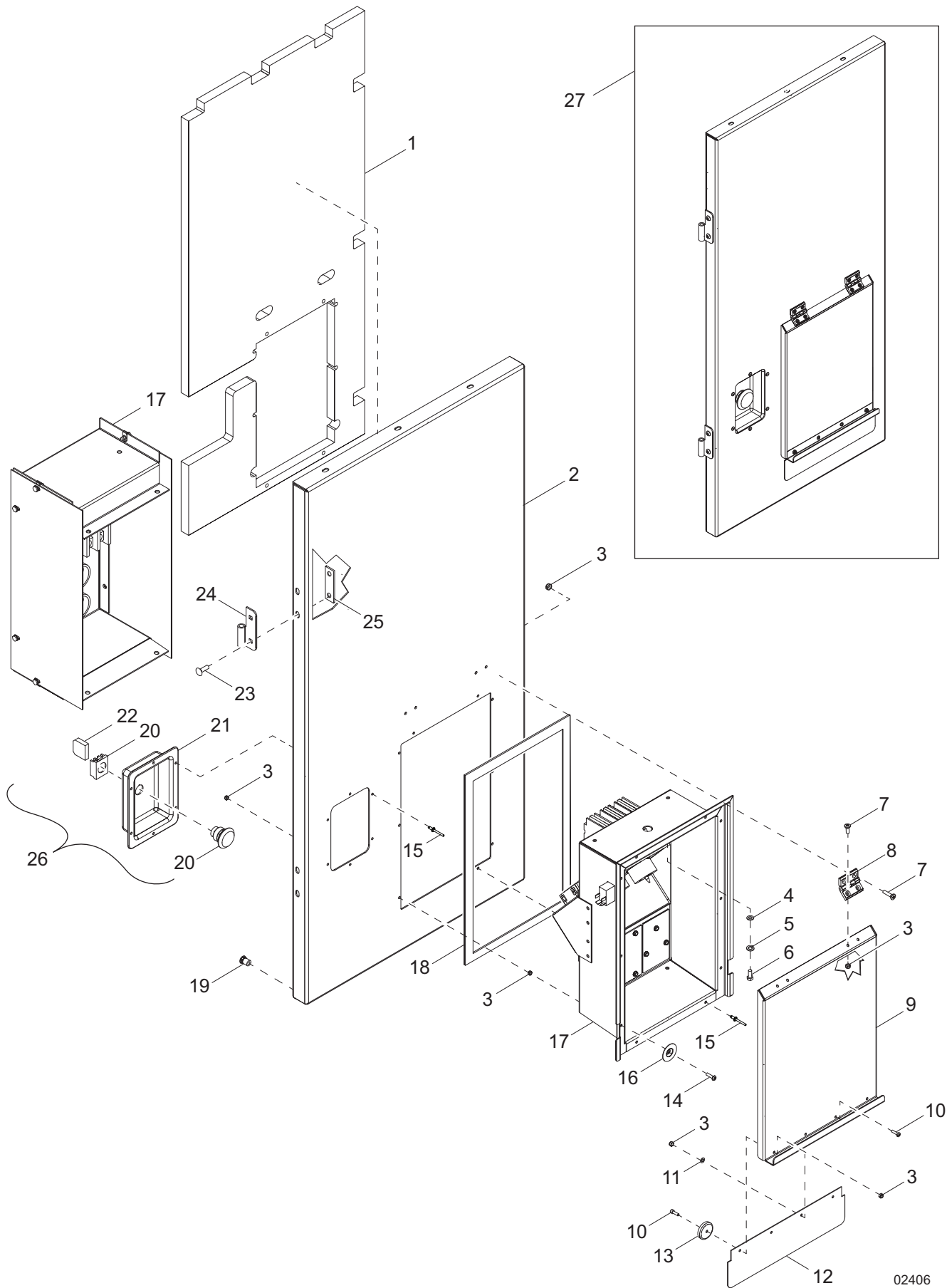
02786



## ALTERNATIVE FUEL PANEL ASSEMBLY (IF EQUIPPED)

Item	Part No.	Qty	Description	Notes
1	27673	3	Fitting, 90° .750MNPT x .750 barb - brass	
2	10000037182	6	Clamp, hose - spring type CTB-27ST	
3	50332	2.0 ft	Hose, fuel .750 ID 35 PSI SAE 30R7	
4	60061	4	Nut, 10-32 nylock	
5	10000034515	1	Weldment, 4.00 fuel fill neck	
6	61045	21	Nut, 10-32 serrated flange	
7	60067	8	Washer, #10 flat - SS	
8	61180	25	Screw, 10-32 x .750 pan Phillips	
9	55104	1	Cap, fuel fill 3.50 - green	
10	54007	1	Assembly, fluid guard	
11	54005	1	Cap, DEF fill	
12	54006	1	Adapter, DEF fill	
13	60316	3	Clamp, hose SAE 032 (1.56 -2.50)	
14	10000035477	1	Hose, DEF fill, top	
15	10000034623	1	Weldment, tap sleeve 2.0 OD - SS	
16	10000035506	1	Hose, DEF fil - bottom	
17	10000034485	1	Foam, fill panel	
18	10000034483	1	Panel, RS rear	
19	61222	21	Washer, #10 sealing	
20	10000037021	1	Gasket, rubber seal	
21	10000034440	1	Plate, external fuel and DEF tanks	
22	10000034637	1	Nut, lock .625-18 - SS	
23	10000035057	1	Fitting, cap nut .562-18 - SS	
24	10000034673	1	Nut, 1.125-12 lock	
25	10000035077	1	Fitting, cap nut 1.0625-12	
26	66995	1	Switch, rocker DPST on-off	
27	10000034701	1	Cap, dust	
28	10000034643	1	Nut, panel size 18	
29	10000034656	1	Washer, lock size 18 - SS	
30	63097	2	Insert, threaded .313-18 hex .028-.150 grip	
31	10000034619	1	Connector, bulkhead	
32	10000034683	1	Fitting, 1.125-12 ML 37° flare - .750-14 MNPT	
33	10000034694	1	Fitting, .750 FNPT x .750 FNPT	
34	30866	1	Fitting, straight .750 MNPT x .750 barb - brass	
35	10000034642	1	Fitting, .625-18 male JIC x .625-18 FNPT - SS	
36	10000034686	2	Fitting, straight .375NPT x .375 barb - SS	
37	50332	1.5 ft	Hose, fuel .750 ID 35 PSI SAE 30R7	
38	60457	4	Nut, 10-24 nylock, G2	
39	10000036076	1	Bracket, fuel pump	
40	10000034664	1	Fuel pump, lift 8 GPM 12V .75 NPT fittings	
41	60237	4	Washer, #10 flat .495/.036	
42	60850	4	Screw, 10-32 x .750 pan Phillips, G2	
43	10000037064	1.5 M	Hose, DEF heated suction	
44	23697B	1	Panel, fuel inlet	
45	10000036858	1	Assembly, external tanks group	
--	10000035480	2	Bracket, AC/DC converter	
--	10000035271	1	Converter, AC to DC 90-264VAC - 24VDC 40A	
--	10000036836	1	Harness, aux tank	

# RECEPTACLE / E-STOP PANEL ASSEMBLY

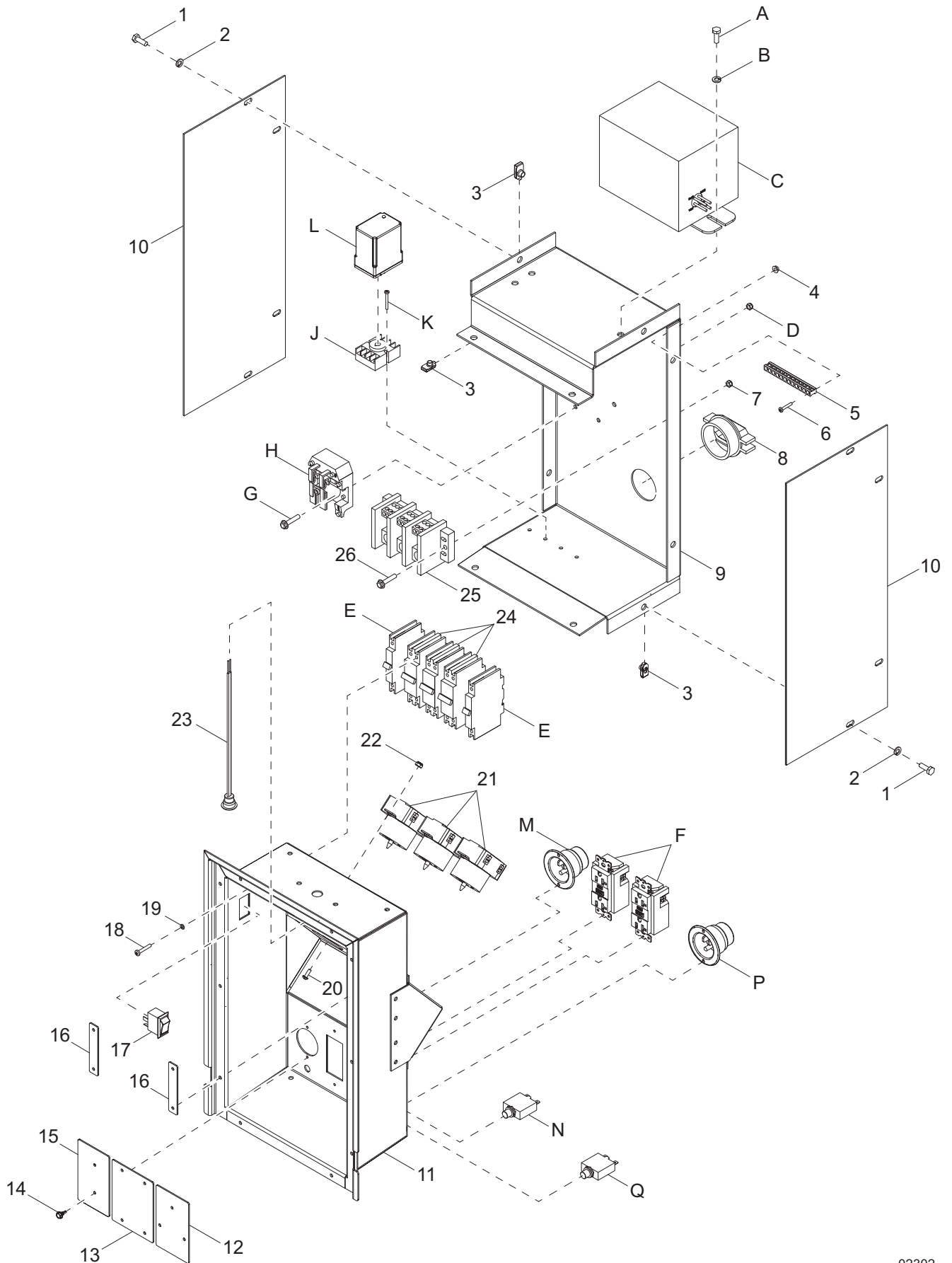


02406

## RECEPTACLE / E-STOP PANEL ASSEMBLY

Item	Part No.	Qty	Description	Notes
1	10000023620	1	Foam, receptacle/E-stop panel	
2	10000019360	1	Panel, receptacle/E-stop	
3	60061	16	Nut, 10-32 nylock	
4	60243	4	Washer, .250 flat .735/.060	
5	60286	4	Washer, .250 split lock	
6	60281	4	Screw, .250-20 x .750 standard hex, G5	
7	10000019958	8	Screw, 10-32 x .625 flat head Phillips - SS	
8	35394	2	Hinge, door - small	
9	51719W	1	Door, receptacle box	
10	60277	4	Screw, 10-32 x .500 pan Phillips - SS	
11	60269	2	Washer, #8 flat .433/.036	
12	51721	1	Flap, receptacle door - rubber	
13	51725	2	Cup, magnet 1-15/64 diameter -14# pull	
14	61180	2	Screw, 10-32 x .750 pan Phillips - SS	
15	60260	14	Rivet, .188 diameter x .375 to .500 grip - SS	
16	62140	2	Washer, cup #10 1.50/.03	
17	54990	1	Assembly, receptacle/breaker box	
18	55059	1	Gasket, receptacle door	
19	63231	4	Insert, threaded .250-20 hex .027-.165 grip	
20	65470	1	Switch, E-stop operator	
21	30645	1	Panel, emergency stop	
22	65580	1	Block, E-stop contactor	
23	63346	4	Screw, .312-18 x 1.00 Scytrx sq - SS	
24	18460B	2	Hinge, left (male)	
25	10000011935	2	Plate, hinge back - threaded	
26	22550SRV	1	Assembly, e-stop	Items 20-22
27	10000018322	1	Assembly, receptacle / e-stop panel	Excludes 54990

# RECEPTACLE PANEL ASSEMBLY



02302

## RECEPTACLE PANEL ASSEMBLY

Item	Part No.	Qty	Description	Notes
1	60281	12	Screw, .250-20 x .750 hex, G5	
2	60286	12	Washer, .250 split lock	
3	61143	12	Nut, .250-20 u-clip, short type	
4	61045	2	Nut, 10-32 serrated flange	
5	14204	1	Kit, ground bar	
6	60397	2	Screw, 10-32 x 1.00 pan Phillips, G2	
7	60036	2	Nut, M6-1.00 serrated flange hex, G8.8	
8	65788	1	Strain relief, 2.0 Romex w/nut	
9	54991B	1	Box, back receptacle	
10	51715B	2	Panel, back receptacle	
11	54989B	1	Box, receptacle/breaker/outlet LED	
12	10000009636	1	Cover, block heater receptacle	
13	10000009672	1	Cover, buck transformer receptacle	
14	60364	9	Screw, 10-16 x .500 hex, G2 - self drilling	
15	10000009645	1	Cover, battery charger receptacle	
16	10000009680	2	Cover, 20A breaker	
17	66995	1	Switch, rocker - DPST, on-off	
18	60046	16	Screw, 6-32 x .750 pan Phillips, G2	
19	60058	16	Washer, #6 split lock	
20	62054	6	Screw, 8-32 x .500 pan Phillips, SS	
21	18089	3	Receptacle, 240V/50A twist lock	
22	60270	6	Nut, 8-32 nylock, G6	
23	39651	1	Light, controls	
24	18092	3	Breaker, 50A, 240V - 2 pole	
25	65356	1	Block, terminal - 3 pole	
26	60024	2	Screw, M6-1.00 x 25 serrated flange hex	

*Buck Transformer w/Receptacles (if equipped):*

A	60281	2	Screw, .250-20 x .750 hex, G5
B	60286	2	Washer, .250 split lock
C	21487	1	Transformer, 1.13:1, 1-phase, 500VA
D	60036	2	Nut, M6-1.00 serrated flange hex, G8.8
E	18091	2	Breaker, 20A, 240V - 1 pole
F	14130	2	Receptacle, 120V/20A GFI
G	60024	2	Screw, M6-1.00 x 25 serrated flange hex
H	65461	1	Relay, 30A DPDT - 120VAC
J	65644	1	Base, relay - 8 position
K	60288	4	Screw, 6-32 x 1.250 pan Phillips, G2
L	66340	1	Relay, voltage sensing (132 in - 126 out)

*Battery Charger (if equipped):*

M	65285	1	Receptacle, 125V/15A inlet
N	15568	1	Breaker, 15A 120V - 1 pole, push button

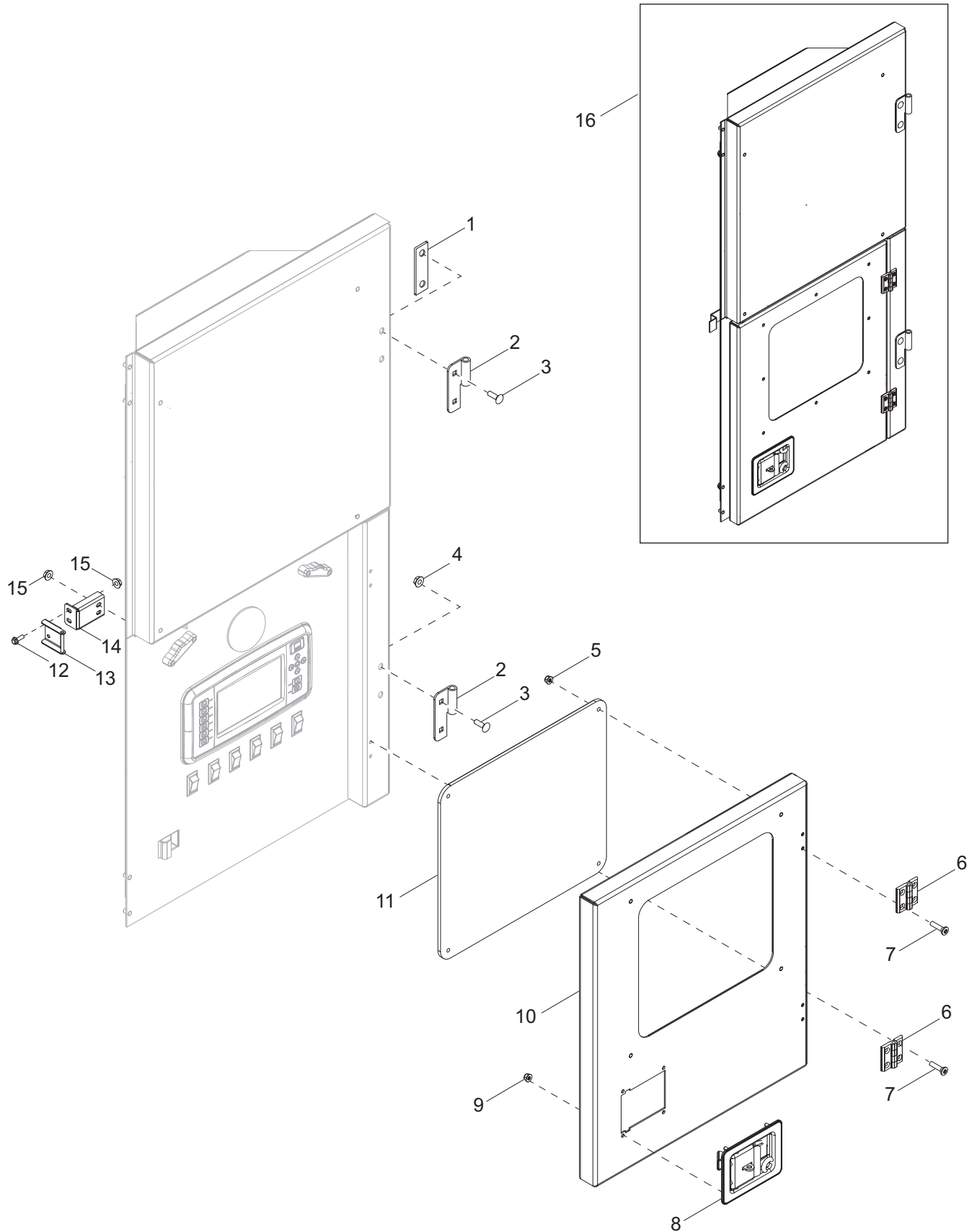
*Block Heater (if equipped):*

P	68635	1	Receptacle, 125V/30A inlet
Q	14432	1	Breaker, 30A 120V - 1 pole, push button

*V-Flex Generator or 4 Position Phase Switch (if equipped)*

J	65644	1	Base, relay - 8 position
K	60288	2	Screw, 6-32 x 1.250 pan Phillips, G2
L	66340	1	Relay, voltage sensing (132 in - 126 out)

# CONTROL PANEL DOOR ASSEMBLY

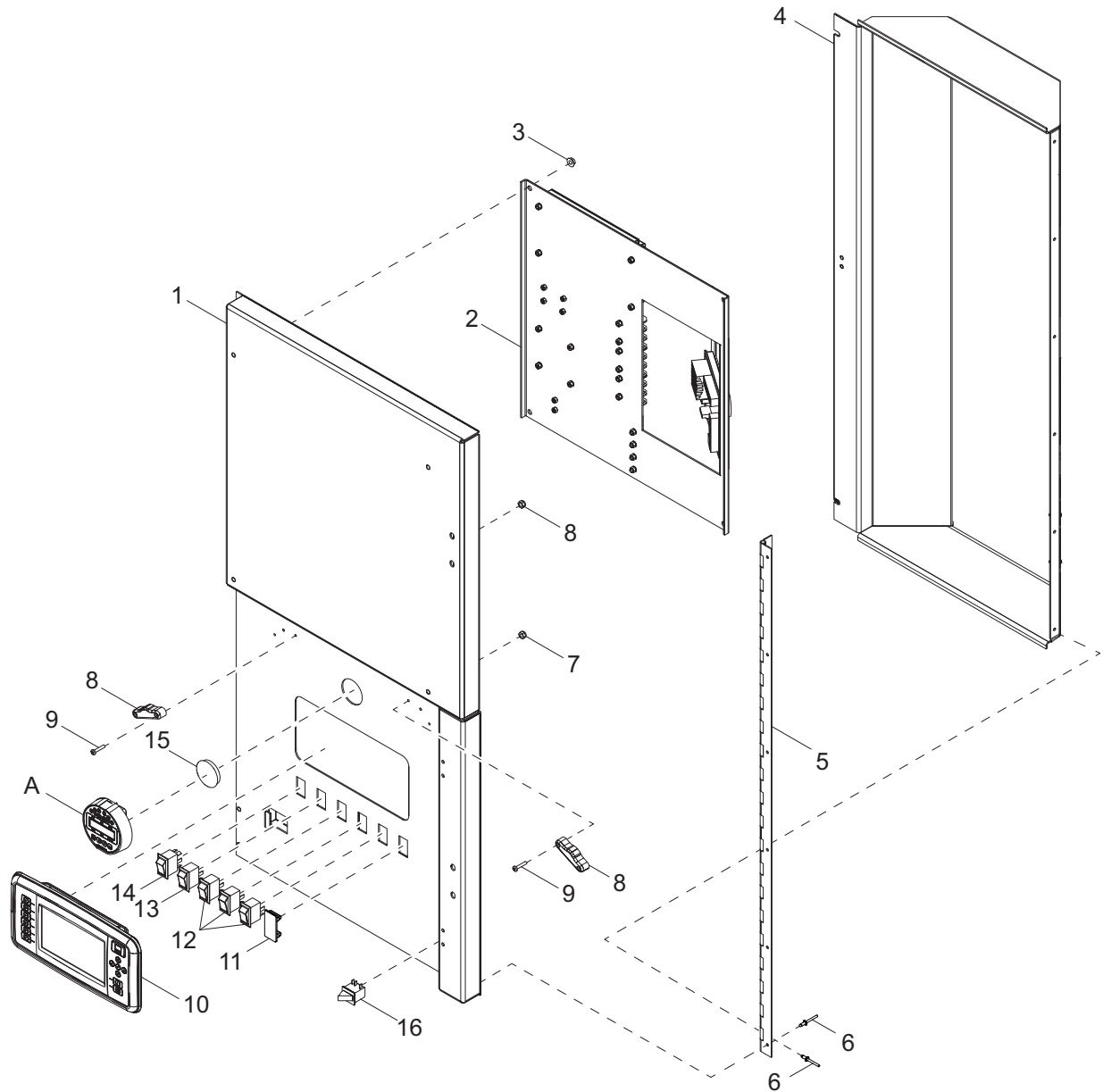


02304

## CONTROL PANEL DOOR ASSEMBLY

Item	Part No.	Qty	Description	Notes
1	10000011935	1	Plate, hinge back - threaded	
2	18460B	2	Hinge, left (female)	
3	63346	4	Screw, .312-18 x 1.00 Scytrx - SS	
4	60095	4	Nut, .312-18 serrated flange hex	
5	63075	8	Nut, .250-20 flange nylock, G5	
6	35394	2	Hinge, door - small	
7	54135	8	Screw, 10-24 x .500 flat head Phillips - SS	
8	54777	1	Latch, paddle slam - black	
9	60036	4	Nut, M6-100 serrated flange hex, G8.8	
10	55028W	1	Door, controls - small	
11	54387	1	Window, rear display	
12	60175	2	Screw, .250-20 x .500 serrated flange hex, G5	
13	10000013494	1	Weldment, striker	
14	10000014172	1	Mount, door striker	
15	60161	2	Nut, .250-20 serrated flange, G5	
16	10000017497	1	Assembly, control panel door	

# CONTROL PANEL ASSEMBLY (2 OF 2)



02305

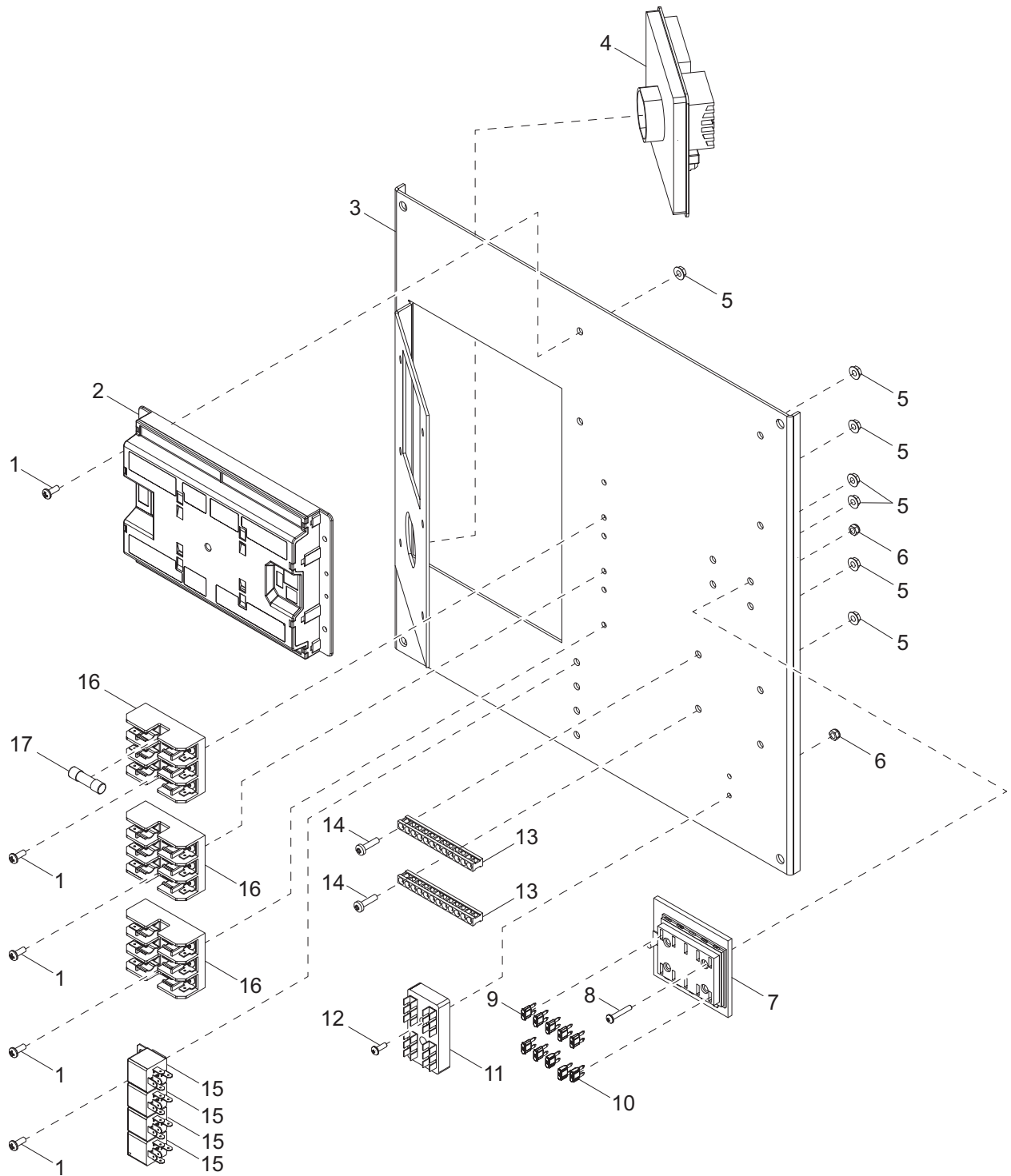


## CONTROL PANEL ASSEMBLY (2 OF 2)

Item	Part No.	Qty	Description	Notes
1	55053W	1	Door, main controls	
2	55031	1	Assembly, control panel - sub	
3	60095	6	Nut, .312-18 serrated flange hex	
4	55026W	1	Door, rear control door	
5	11095	1	Hinge, continuous - 43.00	
6	60268	12	Rivet, .188 diameter x .126 to .250 grip - SS	
7	60270	4	Nut, 8-32 nylock, G6	
8	10000017915	2	Assembly, LED lighting	
9	60695	4	Screw, 8-32 x 1.00 pan Phillips - SS	
10	Contact us*	1	Display, 7" DSE	
11	34439	1	Plug, panel switch	
12	66995	4	Switch, rocker - DPST, on-off	
13	66996	1	Switch, rocker - DPDT, on-off/(on)	
14	68530	1	Switch, rocker - DPST, on-on	
15	32956	1	Plug, hole 2.00 press in - nylon	
16	65830	1	Switch, trigger safety	
<i>Paralleling (if equipped):</i>				
A	55103	1	Display and control, DEF	w/paralleling only

**Note:** \* To order replacement display, contact Generac Mobile Products with unit serial number

# CONTROL PANEL ASSEMBLY (1 OF 2)



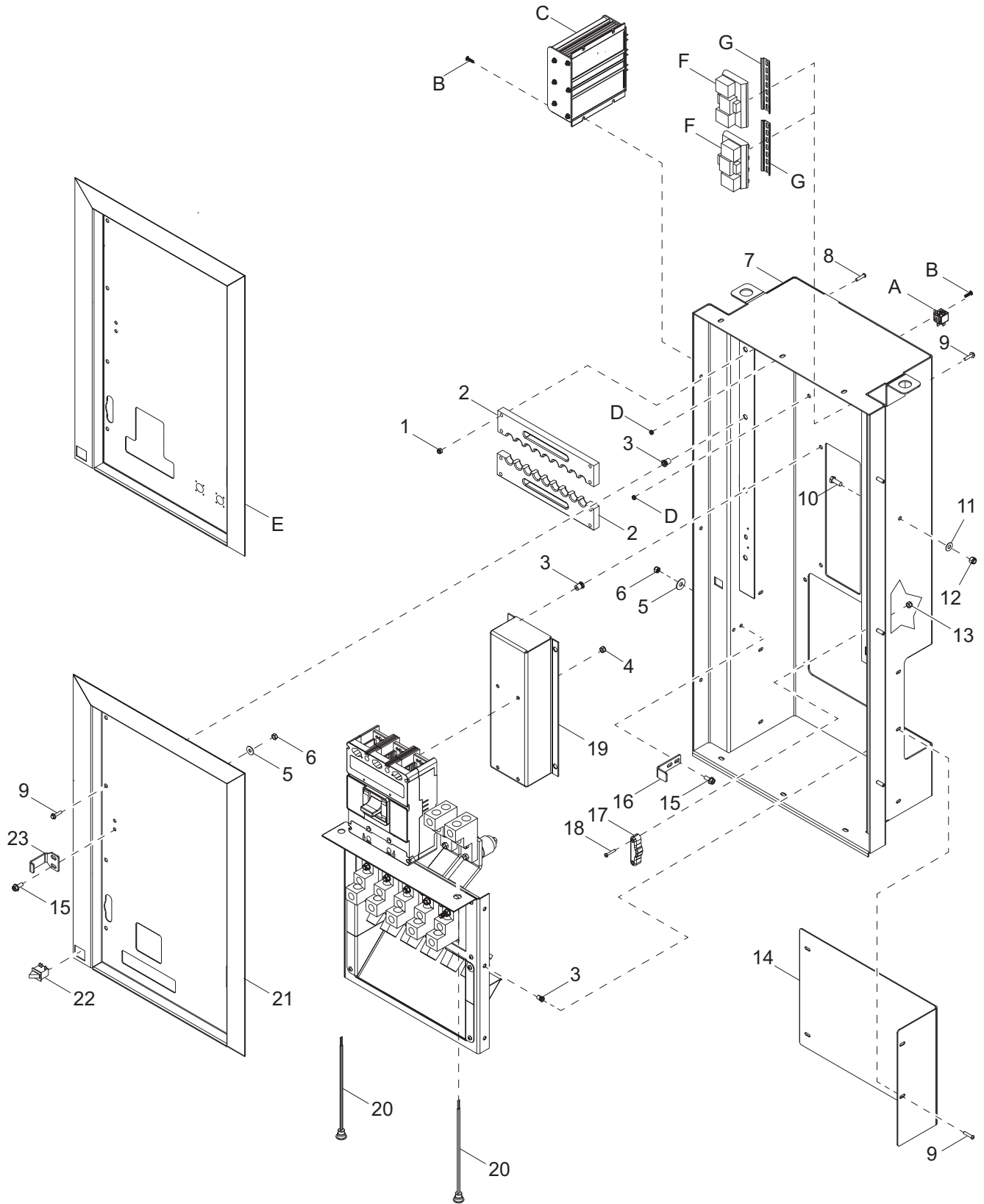
02303

## CONTROL PANEL ASSEMBLY (1 OF 2)

Item	Part No.	Qty	Description	Notes
1	60277	14	Screw, 10-32 x .500 pan Phillips, G2	
2	Contact Us*	1	Controller, Deep Sea 7740	See Note below
3	10000011770	1	Controls, sub plate	
4	68015	1	Regulator, voltage	
5	61045	18	Nut, 10-32 serrated flange	
6	62068	6	Nut, 8-32 nylock - SS	
7	10000007847	1	Fuse block, 10 position	
8	54150	4	Screw, 8-32 x 1.00 pan Phillips	
9	35560	7	Fuse, 20A	
10	68204	3	Fuse, 15A	
11	66992	1	Terminal block, 4 x 6 push-on	
12	62054	2	Screw, 8-32 x .500 pan Phillips - SS	
13	14204	2	Kit, ground bar	
14	60062	4	Screw, 10-32 x .750 pan Phillips, G2	
15	65049	4	Relay, 12V 30/40A N.O. w/diode	
16	0D2572	3	Fuse block, 30A 600V - 3 position w/sq	
17	073590A	9	Fuse, 5A	

**Note:** \* To order replacement controller, contact Generac Mobile Products with unit serial number

# BREAKER/LUG BOX ASSEMBLY

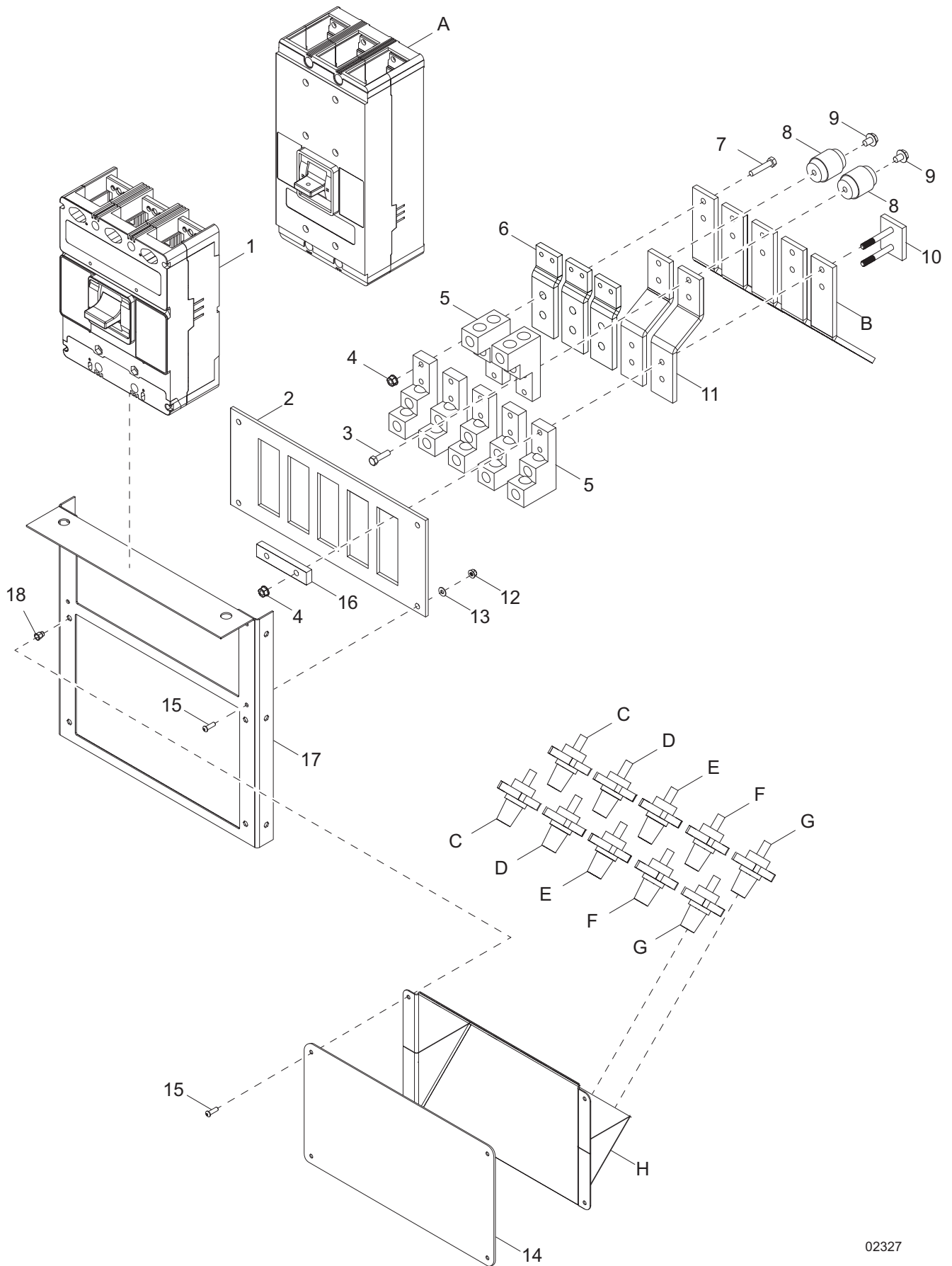


02787

## BREAKER/LUG BOX ASSEMBLY

Item	Part No.	Qty	Description	Notes
1	60144	8	Nut, .250-20 nylock, G5	
2	56346	2	Plate, cable support	
3	63097	14	Insert, threaded .312-18 hex .027-.150 grip	
4	60303	4	Nut, .312-18 nylock, G2	
5	60340	4	Washer, .312 flat .875/.040	
6	60784	4	Nut, .312-18 nylock - SS	
7	54030W	1	Weldment, AC power box	
8	68070	8	Screw, .250-20 x 1.0 button hex - SS	
9	61091	14	Screw, .312-18 x 1.0 serrated flange hex, G5	
10	60690	1	Screw, .375-16 x 1.0 standard hex - SS	
11	60698	1	Washer, .375 flat .875/.040 - SS	
12	60792	1	Nut, .375-16 nylock - SS	
13	60270	4	Nut, 8-32 nylock, G6	
14	56363W	1	Plate, rear control box	
15	60616	4	Screw, .312-18 x .750 serrated flange hex, G5	
16	55021W	1	Striker, lug door	
17	10000017915	2	Assembly, LED light	
18	60695	4	Screw, 8-32 x 1.00 pan Phillips - SS	
19	54976W	1	Mount, breaker	
20	12632	1	Switch, trigger safety, N.O.	
21	39651	2	Light, controls	
22	51744W	1	Panel, AC distribution	
23	55022W	1	Striker, breaker door	
<i>Paralleling Kit (if equipped):</i>				
A	67028	2	Relay, 24V 30/40A N.O. w/diode	
B	60850	6	Screw, 10-24 x .750 pan Phillips, G2	
C	10000009022	1	Converter, DC - DC 12V-24V	
D	60457	6	Nut, 10-24 nylock, G2	
E	54899W	1	Panel, AC distribution - paralleling	
<i>V-Flex Generator (if equipped)</i>				
F	66864	1	Assembly, transformer board	Use 2 for paralleling
G	67129	1	Rail, DIN	Use 2 for paralleling

# BREAKER AND LUG ASSEMBLY



02327

## BREAKER AND LUG ASSEMBLY

Item	Part No.	Qty	Description	Notes
1	10000007615	1	Breaker, 600A, 3 pole, 9-24V	
2	54959	1	Panel, AC box	
3	60139	2	Screw, .375-16 x 1.50 standard hex, G5	
4	60145	20	Nut, .375-16 serrated flange, G5	
5	65890	7	Lug, terminal dual #6-35MCM - 2 hole	
6	10000008297	3	Bus bar, breaker to lug	
7	60478	16	Screw, .375-16 x 2.00 standard hex, G5	
8	69604	2	Insulator, standoff -2700V	
9	62049	2	Screw, .375-16 x .500 serrated flange hex - SS	
10	56362	2	Assembly, bolt plate	
11	54957	2	Bus bar, ground - neutral	
12	60144	4	Nut, .250-20 nylock, G5	
13	60696	4	Washer, .250 flat .625/.050 - SS	
14	54955W	1	Plate, AC distribution - no cam	
15	68070	8	Screw, .250-20 x 2.00 button hex - SS	
16	56361	1	Bus bar	
17	54946W	1	Bracket, cam lock - 2 row	
18	63097	4	Insert, threaded .312-18 hex .027-.150 grip	

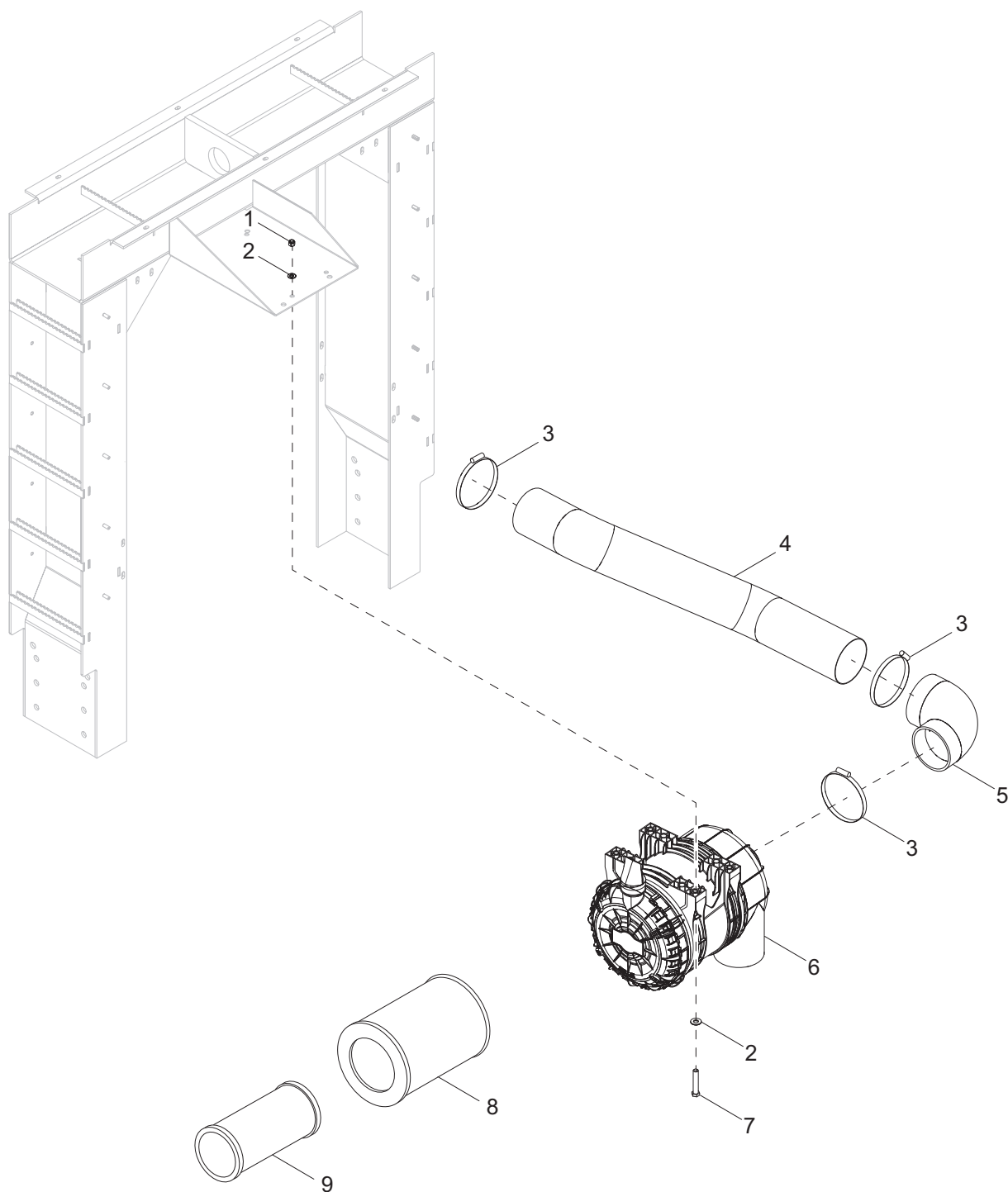
### *Paralleling Kit (if equipped):*

A	55108	1	Breaker, motorized 500A, 100% RTD
---	-------	---	-----------------------------------

### *Cam Locks (if equipped):*

B	54956	5	Bus bar, cam locks
C	65551	2	Connector, cam lock, female 400A - black
D	65552	2	Connector, cam lock, female 400A - red
E	65553	2	Connector, cam lock, female 400A - blue
F	65554	2	Connector, cam lock, male 400A - white
G	65555	2	Connector, cam lock, male 400A - green
H	54945W	1	Panel, cam lock - 2 row

# AIR FILTER ASSEMBLY



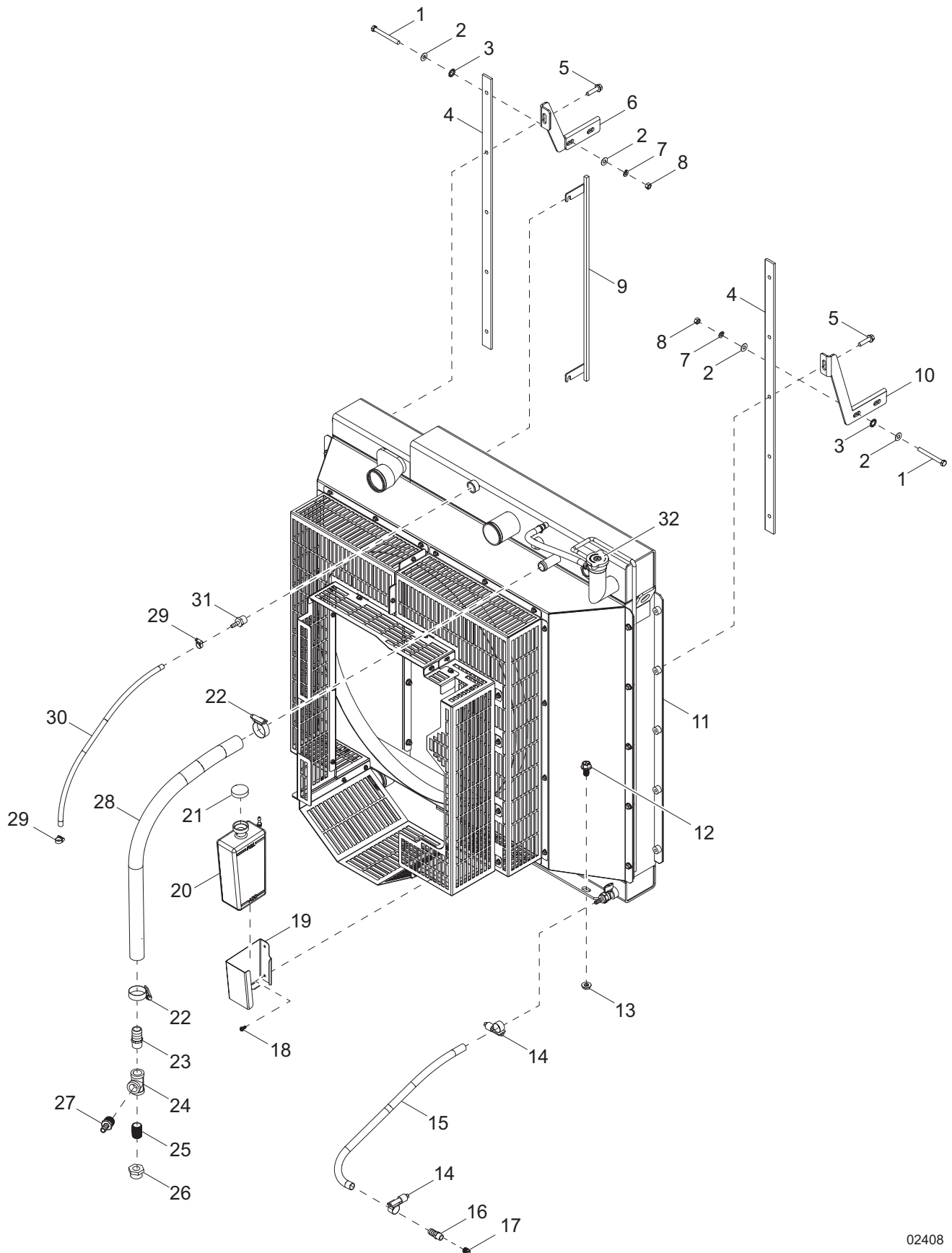
02424



## AIR FILTER ASSEMBLY

Item	Part No.	Qty	Description	Notes
1	60358	4	Nut, .375-16 nylock, G5	
2	60151	8	Washer, .375 flat	
3	20182	3	Clamp, hose - SAE 088 (4.09-6.00)	
4	10000019242	1	Pipe, intake	
5	10000020081	1	Elbow, 5.00 to 4.50 - molded rubber	
6	10000019432	1	Filter, air	w/ elements
7	60478	4	Screw, .375-16 x 2.00 standard hex, G5	
8	10000024537	1	Element, primary	
9	10000024603	1	Element, secondary	

# COOLING SYSTEM ASSEMBLY

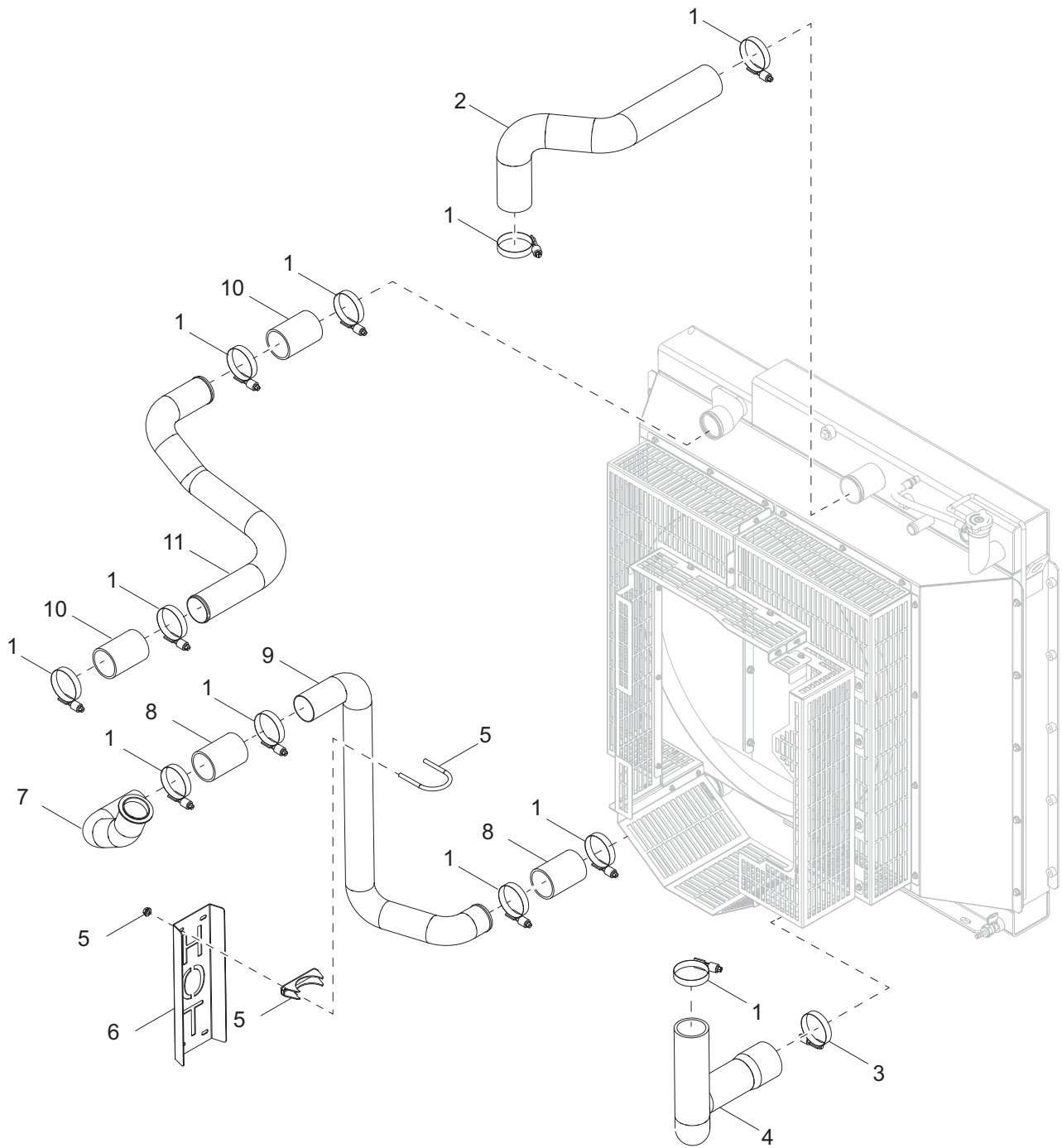


02408

## COOLING SYSTEM ASSEMBLY

Item	Part No.	Qty	Description	Notes
1	61999	4	Screw, .375-16 x 3.50 standard hex - SS	
2	60698	8	Washer, .375 flat - SS	
3	61107	4	Washer, .500 external star	
4	10000008522	2	Spacer, insulation	
5	60487	10	Screw, .375-16 x 1.50 serrated flange hex, G5	
6	10000019954	1	Bracket, radiator support - left	
7	60206	4	Washer, .375 split lock	
8	60140	4	Nut, .375-16 hex, G5	
9	10000019175	1	Weldment, hose bracket	
10	10000020000	1	Bracket, radiator support - right	
11	10000019255	1	Radiator	
12	61100	6	Screw, .500-13 x 1.00 serrated flange hex, G5	
13	60098	6	Nut, .500-13 serrated flange hex	
14	19453	2	Clamp, hose SAE 006 (.37-.87)	
15	50051	2.5 ft	Hose, fuel .375 ID 50 PSI SAE 30R7	
16	25082	1	Fitting, straight .375MNPT x .375 barb	
17	42681	1	Plug, .375 CL150 - sunken hex	
18	63358	2	Screw, .250-20 x .625 hex washer head	
19	26211B	1	Bracket, overflow jug	
20	24952	1	Jug, overflow 2.5 quart	
21	19714	1	Cap, overflow bottle	
22	15422	4	Clamp, hose SAE006 (.37-.87)	
23	25496	1	Fitting, straight .750MNPT x 1.00 barb - brass	
24	61044	1	Fitting, tee .750NPT - brass	
25	62027	1	Fitting, nipple .750NPT x close - brass	
26	HW4046A126	1	Fitting, M30-2.0 male x .750FNPT	
27	40667	1	Fitting, straight .750MNPT x .500 barb - brass	
28	50169	2.5 ft	Hose, 1.00 inch	
29	19453	2	Clamp, hose - SAE 006 (.37-.87)	
30	50018	1.5 ft	Hose, .312 ID 50 PSI SAE 30R7	
31	60999	1	Fitting, straight .500MNPT x .312 barb - brass	
32	39850	1	Cap, radiator	

# COOLING SYSTEM HOSES



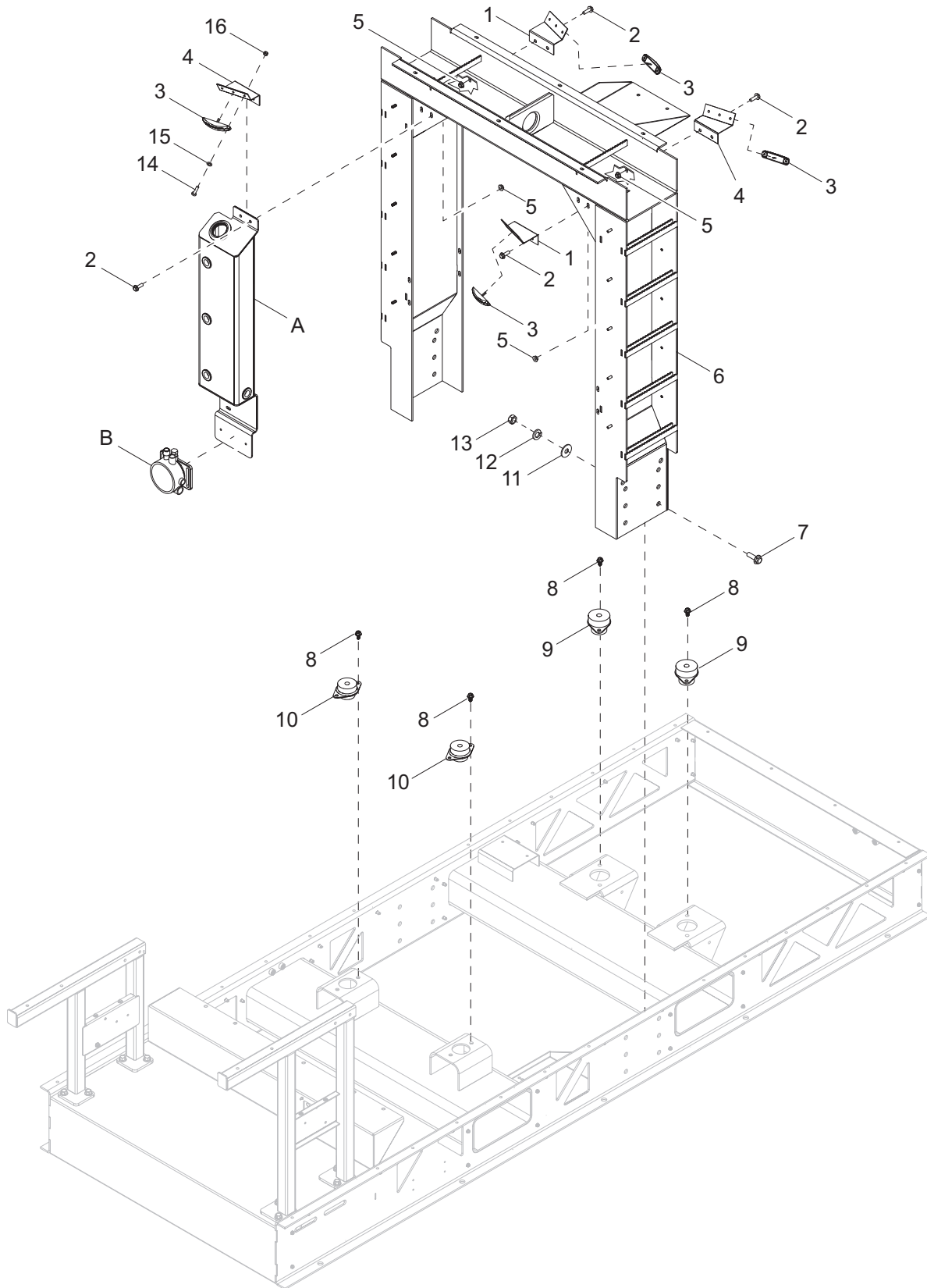
02409

## COOLING SYSTEM HOSES

---

Item	Part No.	Qty	Description	Notes
1	60666	11	Clamp, hose - constant torque 2.25-3.125	
2	53627	1	Hose, radiator input	
3	60664	1	Clamp, hose - constant torque 2.75-3.625	
4	53628	1	Hose, radiator output	
5	18823	1	Clamp, muffler 2.00	
6	10000019270	1	Guard, heat	
7	54225	1	Assembly, CAC pipe - lower	
8	22060	2	Hose, CAC 2.00 - 2.50 x 4.00	
9	10000014083	1	Pipe, CAC - lower	
10	28541	2	Hose, CAC 2.50 x 4.00 long	
11	53630	1	Pipe, CAC - upper	

# LIFT STRUCTURE

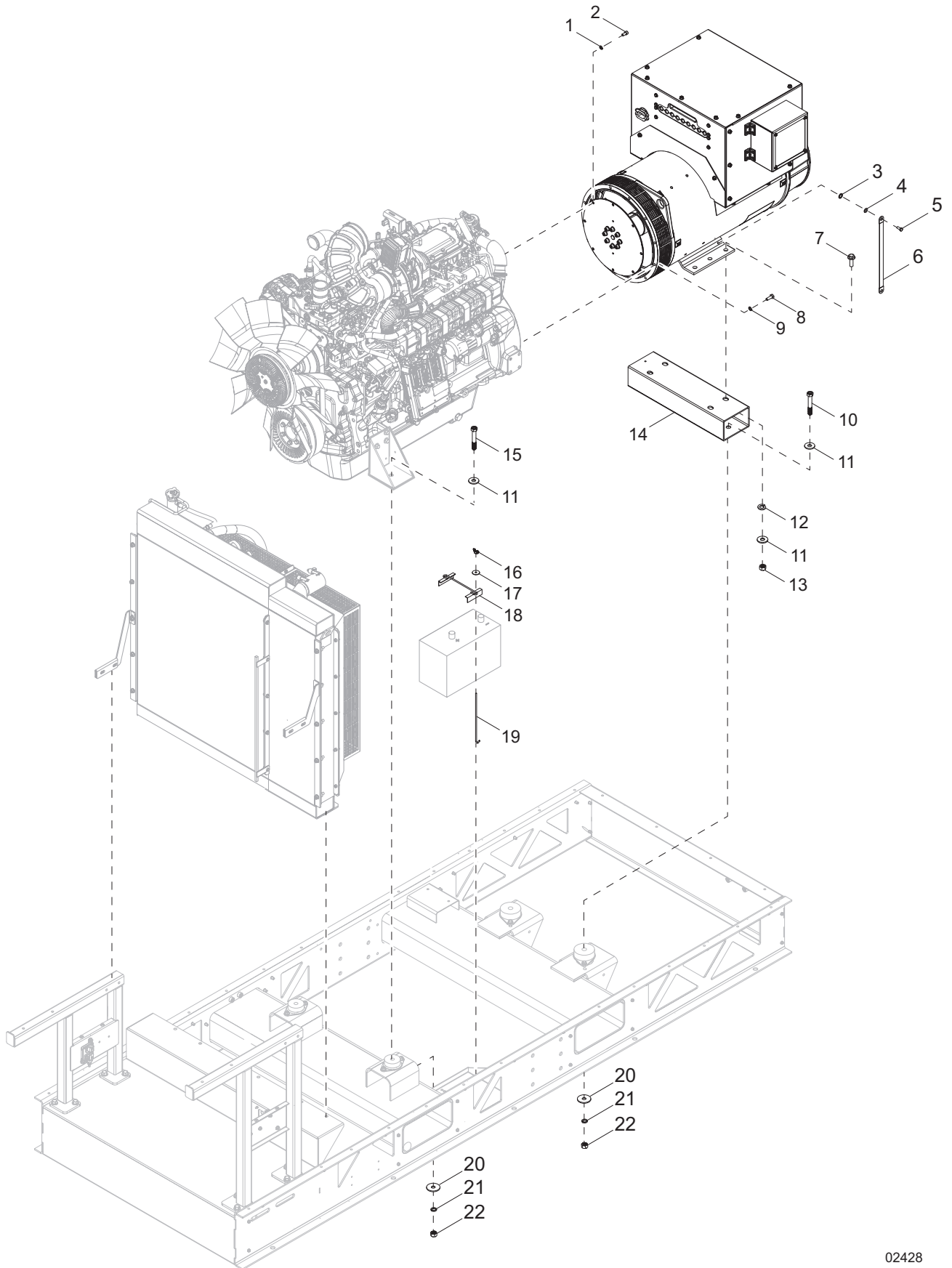


02410

## LIFT STRUCTURE

Item	Part No.	Qty	Description	Notes
1	55116B	2	Bracket, interior light - left hand	
2	60295	8	Screw, .375-18 x .750 standard hex - SS	
3	54772	4	Light, LED surface mount	
4	55112B	2	Bracket, interior light - right hand	
5	60145	8	Nut, .375-16 serrated flange, G5	
6	10000020361	1	Weldment, lift structure	
7	61078	12	Screw, .625-11 x 2.00 flange hex, G8	
8	62259	8	Screw, M10-1.50 x 30 serrated flange hex, G10.9	
9	10000016256	2	Isolator, rubber 680/1020	
10	52671	2	Isolator, rubber 680/1020	
11	60521	12	Washer, .625 flat 1.743/.108	
12	60194	12	Washer, .625 lock	
13	60520	12	Nut, .625-11 hex, G8	
14	60397	8	Screw, 10-32 x 1.00 pan Phillips, G2	
15	60067	8	Washer, #10 flat .435/.060 - SS	
16	60061	8	Nut, 10-32 nylock	
<i>Oil Tank (if equipped):</i>				
A	56386	1	Weldment, oil tank	
B	26631	1	Gauge, oil sight w/level maintainer	

# ENGINE AND GENERATOR TO UNIT



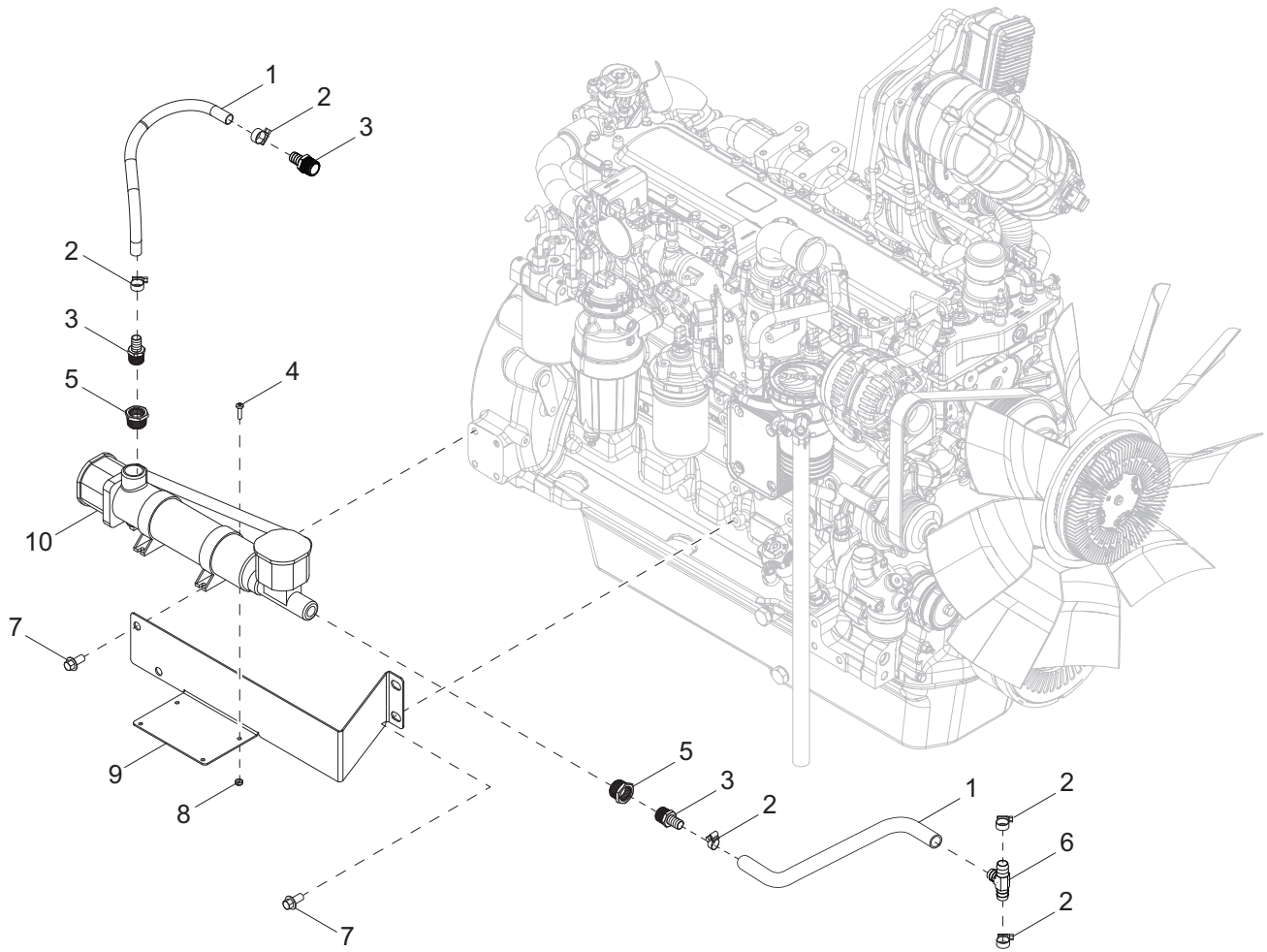
02428



## ENGINE AND GENERATOR TO UNIT

Item	Part No.	Qty	Description	Notes
1	60206	8	Washer, .375 split lock	
2	60717	8	Screw, .375-16 x .750 socket hex	
3	60369	1	Washer, M12 external star	
4	60696	1	Washer, .250 flat .625/.050 - SS	
5	60620	1	Screw, .250-20 x 1.00 standard hex - SS	
6	22438	1	Strap, braided ground -	
7	61078	4	Screw, .625-11 x 2.00 flange hex, G8	
8	60177	12	Screw, M10-1.50 x 30 standard hex, G10.9	
9	60026	12	Washer, M10 split lock	
10	42775	2	Screw, .625-11 x 4.50 standard hex, G5	
11	60521	8	Washer, .625 flat 1.743/.108	
12	60194	4	Washer, M16 split lock	
13	60520	4	Nut, .625-11 hex, G8	
14	10000016316	1	Spacer, generator	
15	69924	2	Screw, .625-11 x 4.00 standard hex, G8	
16	60090	2	Nut, .250-20 wing, G5	
17	60089	2	Washer, .265 fender	
18	14682	1	Bracket, battery hold-down	
19	14146	2	Bolt, J .250-20 x 10.00	
20	18086	4	Washer, .650 snub 2.250/.180	
21	60194	4	Washer, M16 split lock	
22	60520	4	Nut, .625-11 hex, G8	

# ENGINE BLOCK HEATER (IF EQUIPPED)

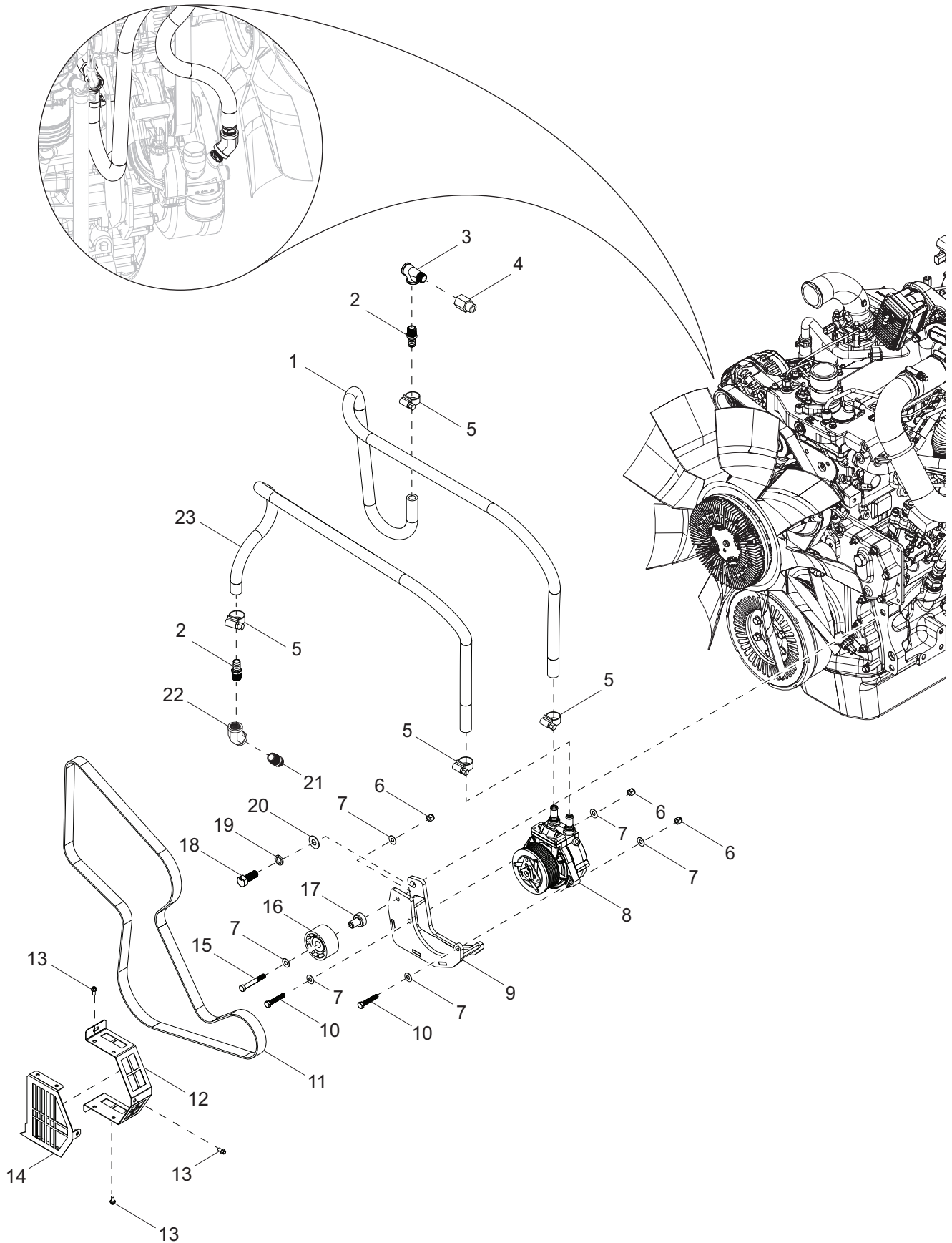


02384

## ENGINE BLOCK HEATER (IF EQUIPPED)

Item	Part No.	Qty	Description	Notes
1	50201	2	Hose, .625 Horizon 200PSI, class A	
2	19453	6	Clamp, hose - SAE 006 (.37 - .87)	
3	62076	3	Fitting, straight .750MNPT x .625 barb - brass	
4	60062	4	Screw, 10-32 x .750 pan Phillips, G2	
5	24006	2	Fitting, straight 1.00MNPT x .750FNPT	
6	0C9079D	1	Fitting, .375 tee, barbed - brass	
7	60072	4	Screw, M12-1.75 x 25 serrated flange hex, G10.9	
8	60415	4	Nut, 10-32 nylock - SS	
9	10000009261	1	Bracket, block heater	
10	28407	1	Heater, coolant 400-500CI, 120V 2500W	

# SUPPLEMENTARY LOAD ACCESSORY (IF EQUIPPED)

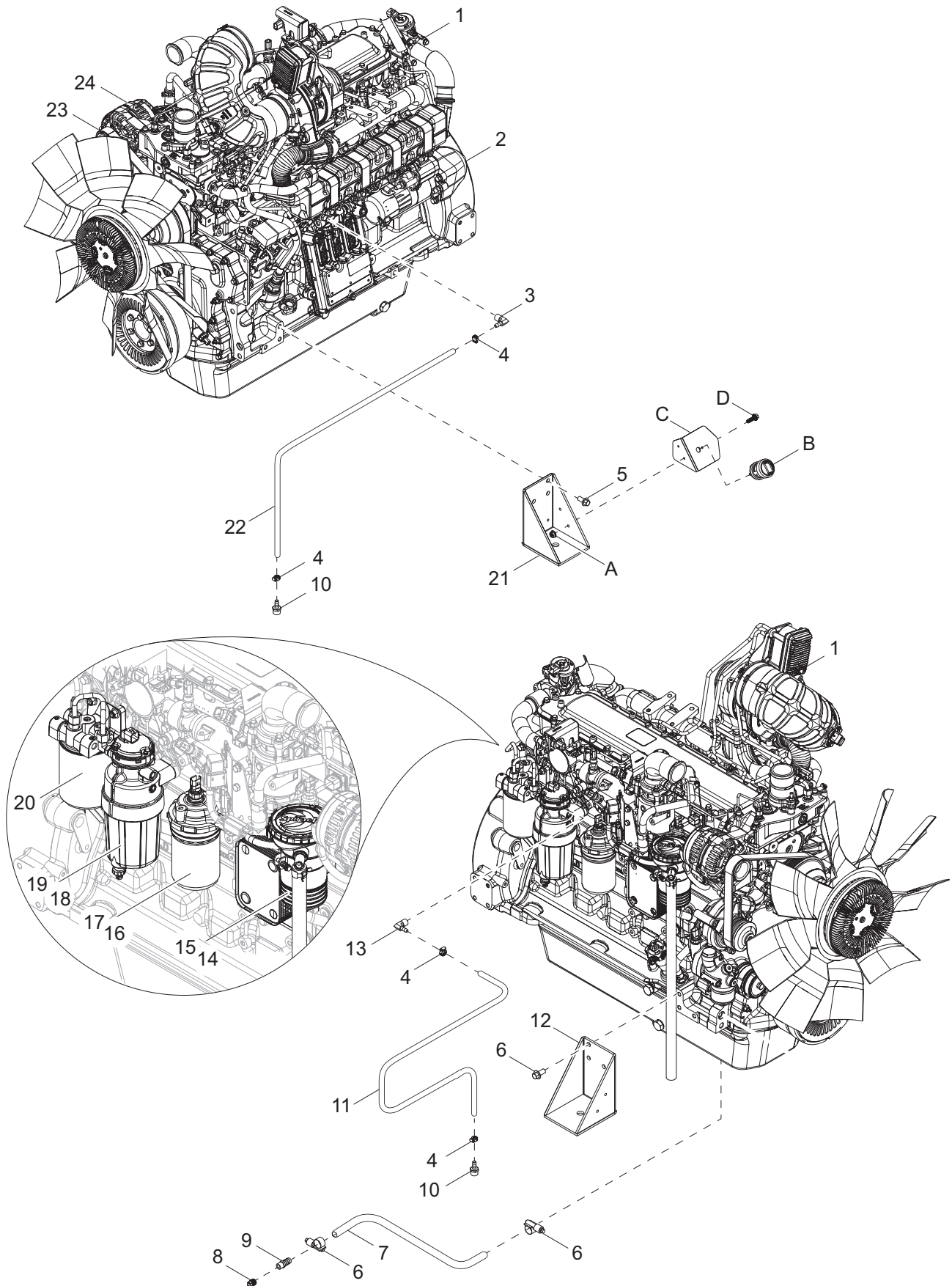


02688

## SUPPLEMENTARY LOAD ACCESSORY (IF EQUIPPED)

Item	Part No.	Qty	Description	Notes
1	50201	7.5 ft	Hose, .625 Horizon 200PSI, class A	
2	53344	2	Fitting, straight .500NPT x .625 barb	
3	39775	1	Fitting, tee .500FNPT x .500MNPT	
4	19307	1	Fitting, straight .500 FNPT x M22 x 1.50	
5	63252	4	Clamp, hose - spring type	
6	60358	3	Nut, .375-16 nylock, G5	
7	60698	6	Washer, .375 flat .875/.040 - SS	
8	10000032490	1	LHG 700	
9	10000032482	1	Weldment, LHG bracket	
10	60478	2	Screw, .375-16 x 2.00 standard hex, G5	
11	10000032537	1	Belt, LHG 700	
12	10000032458	1	Fan shroud, side cover	
13	60175	7	Screw, .250-20 x .500 serrated flange hex, G5	
14	10000032464	1	Weldment, fan shroud cover	
15	69907	1	Screw, .375-16 x 2.750 standard hex, G5	
16	10000032420	1	Idler Pulley	
17	10000032447	1	Spacer, idler pulley	
18	60489	2	Screw, M16-2.00 x 40 standard hex, G10.9	
19	60194	2	Washer, M16 split lock	
20	60193	2	Washer, M16 flat	
21	19257	1	Fitting, straight .500	
22	60501	1	Fitting, 45° .500FNPT	
23	50201	7.5 ft	Hose, .625 Horizon 200PSI, class A	
24	10000033141	1	Wire group, LHG 700	

# ENGINE ASSEMBLY



02422

## ENGINE ASSEMBLY

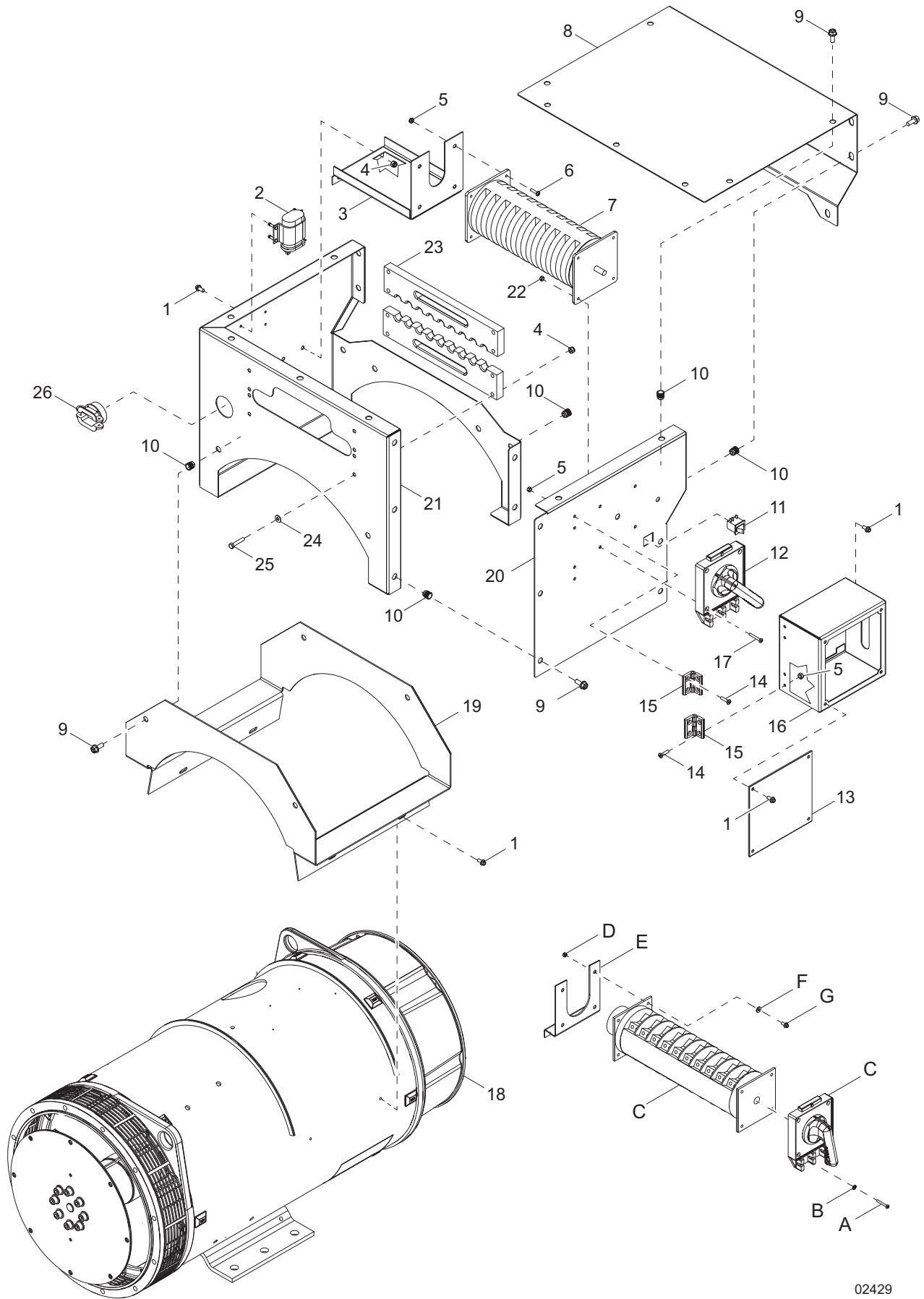
Item	Part No.	Qty	Description	Notes
1	51399	1	Engine, JD, 160KW, 6068HFG06, tier 4F	
2	10000012633	1	Starter	
3	33413	1	Fitting, 90°, M12 x 1.50 x .375 barb	
4	14216	4	Clamp, hose SAE004 (.21-.62)	
5	60072	6	Screw, M12-1.75 x 25 serrated flange hex, G10.9	
6	60365	2	Clamp, hose SAE 010 (.56-1.06)	
7	50201	5.0 ft	Hose, .625 class A - 200PSI	
8	42681	1	Plug, .375 CL15o - sunken hex	
9	25931	1	Fitting, straight - .375NPT x .625 barb	
10	23816	2	Fitting, straight .500MNPT x .375 barb - brass	
11	50051	6.0 ft	Hose, fuel .375 ID SAE30R7 - 50 PSI	
12	51761B	1	Mount, engine - right	
13	33414	1	Fitting, 90°, M14 x 1.50 x .375 barb	
14	10000012606	1	Cannister, OVR	
15	10000012632	1	Filter, OVR	
16	32245	1	Filter, oil	
17	10000018100	1	O-ring, oil filter	
18	10000018039	1	Filter, fuel - primary	
19	10000018052	1	Gasket Kit, fuel filter	
20	10000018016	1	Filter, fuel - secondary	
21	51762B	1	Mount, engine - left	
22	50051	6.0 ft	Hose, fuel .375 ID SAE30R7 - 50 PSI	
23	10000012588	1	Belt, fan	
24	33026	1	Alternator	

*Lockable Battery Disconnect Switch (if equipped):*

A	60161	2	Nut, .250-20
B	MAC3907-1	1	Switch, lockable battery disconnect
C	10000019619	1	Bracket, battery disconnect
D	60523	2	Screw, .250-20 x .875 serrated flange hex

**Note:** Engine parts used in all Generac Mobile Products, LLC equipment carry the Original Equipment Manufacturer (OEM) warranty unless otherwise stated. OEM warranty parts must be purchased through an OEM dealer. Please contact Generac Mobile Products, LLC with questions

# GENERATOR ASSEMBLY



02429



## GENERATOR ASSEMBLY

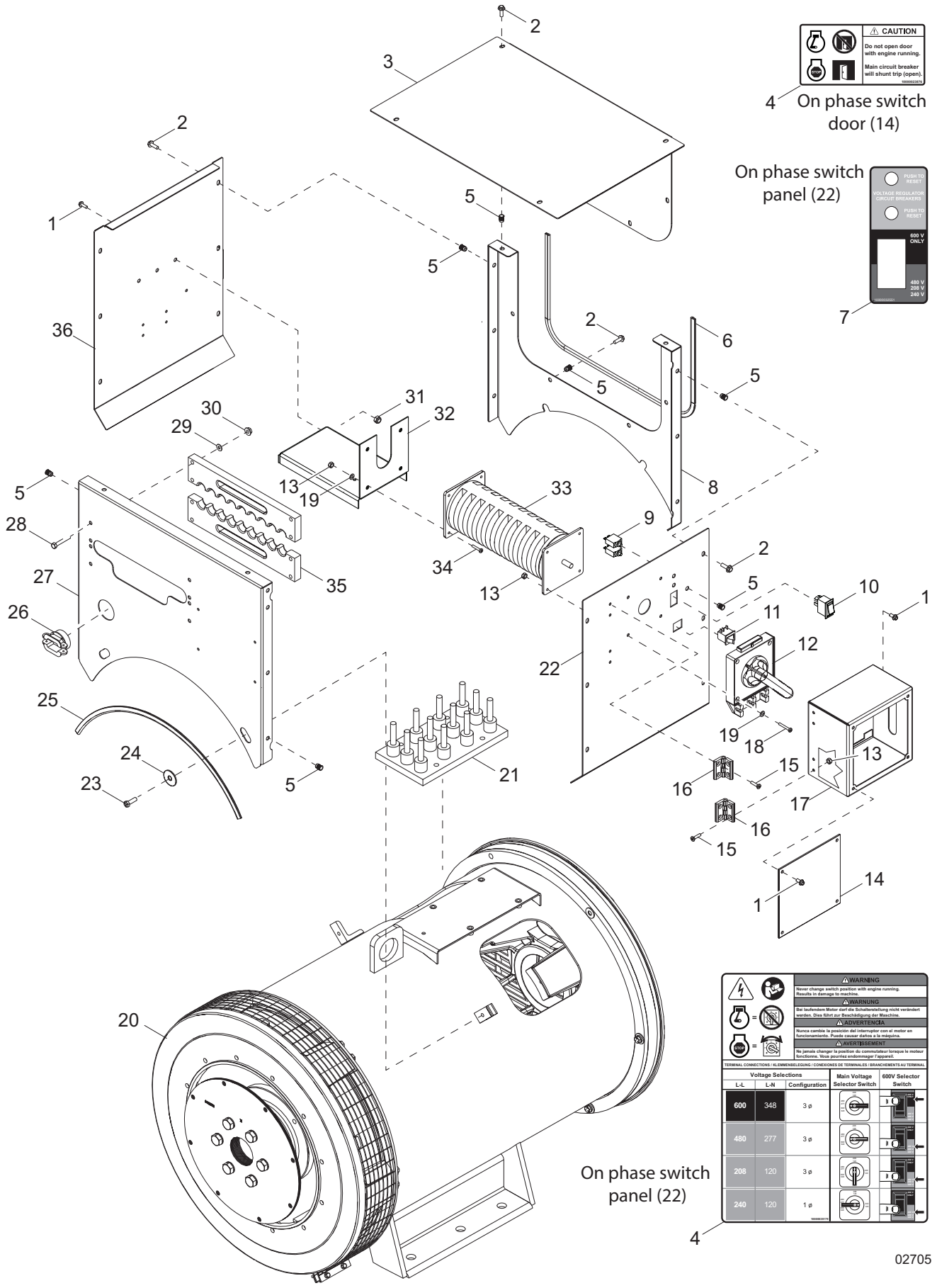
Item	Part No.	Qty	Description	Notes
1	60175	12	Screw, .250-20 x .500 serrated flange hex, G5	
2	65308	1	Capacitor, 7.5 uF, 370 VAC	
3	10000021452	1	Bracket, phase switch, 3-position	
4	60144	15	Nut, .250-20 nylock, G5	
5	60061	4	Nut, 10-32 nylock	
6	61180	4	Screw, 10-32 x .750 pan Phillips - SS	
7	18103	1	Switch, phase 315A, 3-position	
8	10000021119	1	Panel, generator box - top	
9	60616	24	Screw, .312-18 x 750 serrated flange, G5	
10	62133	24	Insert. threaded .312.18 splined .027-.150 grip	
11	12632	1	Switch, trigger safety, N.O. & N.C.	
12	65799	1	Switch plate, phase switch	
13	55041	1	Lens, phase switch door	
14	73124	8	Screw, 10-24 x .875 flat head Phillips	
15	35394	2	Hinge, door - small	
16	55024	1	Cover, phase selector	
17	60167	7	Screw, M5-0.80 x 35 pan Phillips , G4.8	
18	51392	1	Generator, Marathon 363CSL1607	
--	39662	1	Generator, Marathon - Exciter	
19	26267	1	Panel. generator box adapter	
20	10000021137	1	Panel, phase switch	
21	10000021141	1	Enclosure, generator box - MDG150	
22	60038	4	Nut, M5-.80 nylock, G6	
23	56346	2	Plate, cable support	
24	60696	8	Washer, .250 flat - SS	
25	60414	8	Screw, .250-20 x 1.50 standard hex, G5	
26	65239	1	Strain relief	

*4 Position Phase Switch (if equipped):*

A	62046	4	Screw, 10-32 x 1.50 pan Phillips - SS
B	60067	4	Washer, #10 flat .435/.060 - SS
C	65688	1	Switch, Phase - 400A 4 position
D	60038	4	Nut, M5-.080 nylock, G6
E	10000023063	1	Bracket, phase switch, 4 position
F	60041	4	Washer, M5 flat
G	60167	4	Screw, M5-0.80 x 35 pan Phillips, G4.8

**Note:** Generator parts used in all Generac Mobile Products, LLC equipment carry the Original Equipment Manufacturer (OEM) warranty unless otherwise stated. OEM warranty parts must be purchased through an OEM dealer. Please contact Generac Mobile Products, LLC with questions

# GENERATOR ASSEMBLY (V-FLEX OPTION)



**CAUTION**  
 Do not open door with engine running.  
 Main circuit breaker will shunt trip (open).

4 On phase switch door (14)

On phase switch panel (22)



7

On phase switch panel (22)

4

Voltage Selections			Main Voltage Selector Switch	600V Selector Switch
L-L	L-N	Configuration		
600	348	3 φ		
480	277	3 φ		
208	120	3 φ		
240	120	1 φ		

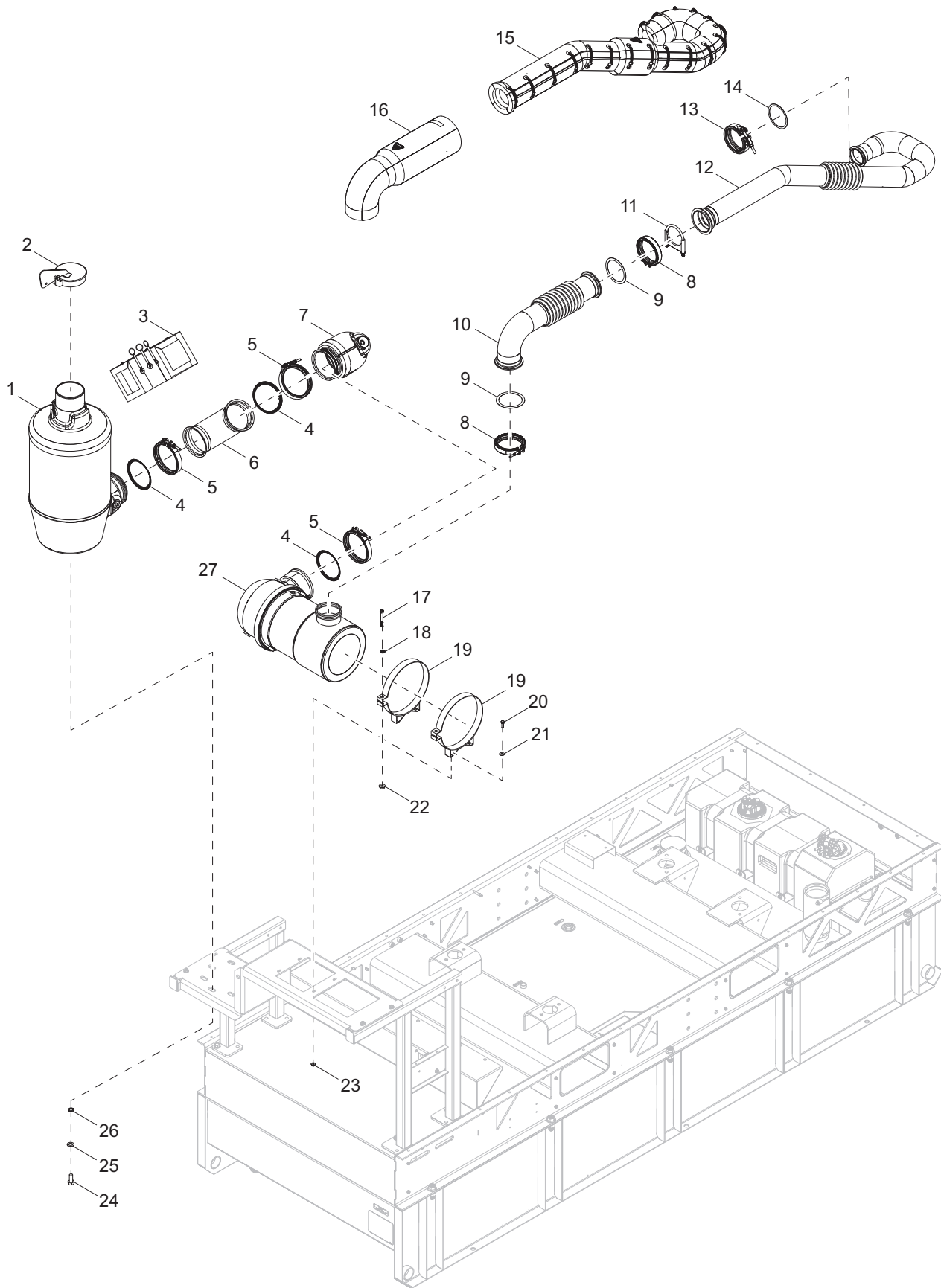
02705

## GENERATOR ASSEMBLY (V-FLEX OPTION)

Item	Part No.	Qty	Description	Notes
1	60175	3	Screw, .250-20 x .500 serrated flange hex, G5	
2	60479	21	Screw, .250-20 x 1.00 serrated flange hex, G5	
3	10000018517	1	Panel, generator box - top	
4	10000036993	1	Decal set, V-flex phase switch group	
5	62132	16	Insert. threaded .250-20 splined .027-.165 grip	
6	19351	3.2 ft	Seal, generator box 38.00	
7	10000032551	1	Decal, voltage selector switch - breaker reset	
8	10000018563	1	Panel, generator box - rear	
9	65850	2	Breaker, 10A 240V 1 pole - push button	
10	66995	1	Switch, rocker DPST - on/off	
11	12632	1	Switch, trigger safety, N.O. & N.C.	
12	18103	1	Switch plate, phase 400A, 3-position	
13	60530	16	Nut, 10-24 nylock	
14	55041	1	Lens, phase switch door	
15	73124	8	Screw, 10-24 x .875 flat head Phillips	
16	35394	2	Hinge, door-small	
17	55024	1	Cover, phase selector	
18	60167	2	Screw, M5-0.80 x 35 pan Phillips , G4.8	
19	60067	8	Washer, #10 flat - SS	
20	10000023447	1	Generator, marathon 431PSL6612 SAE3	
21		1	Block, terminal	w/ generator
22	10000032631	1	Panel, side	
23	60690	2	Screw, .375-16 x 1.00 standard hex - SS	
24	60729	2	Washer, .375 fender	
25	19351	2 ft	Seal, generator box 24.00	
26	65239	1	Strain relief	
27	10000018575	1	Panel, generator box - front	
28	60414	8	Screw, .250-20 x 1.50 standard hex, G5	
29	60696	8	Washer, .250 flat - SS	
30	60161	8	Nut, .250-20 serrated flange, G5	
31	60144	3	Nut, .250-20 nylock, G5	
32	10000018938	1	Bracket, phase switch, 3-position	
33	18103	1	Switch, phase 315A, 3-position	
34	61180	4	Screw, 10-32 x .750 pan Phillips - SS	
35	56346	2	Plate, cable support	
36	10000018556	1	Panel, generator box - side	

**Note:** Generator parts used in all Generac Mobile Products, LLC equipment carry the Original Equipment Manufacturer (OEM) warranty unless otherwise stated. OEM warranty parts must be purchased through an OEM dealer. Please contact Generac Mobile Products, LLC with questions

# EXHAUST & AFTER TREATMENT ASSEMBLY



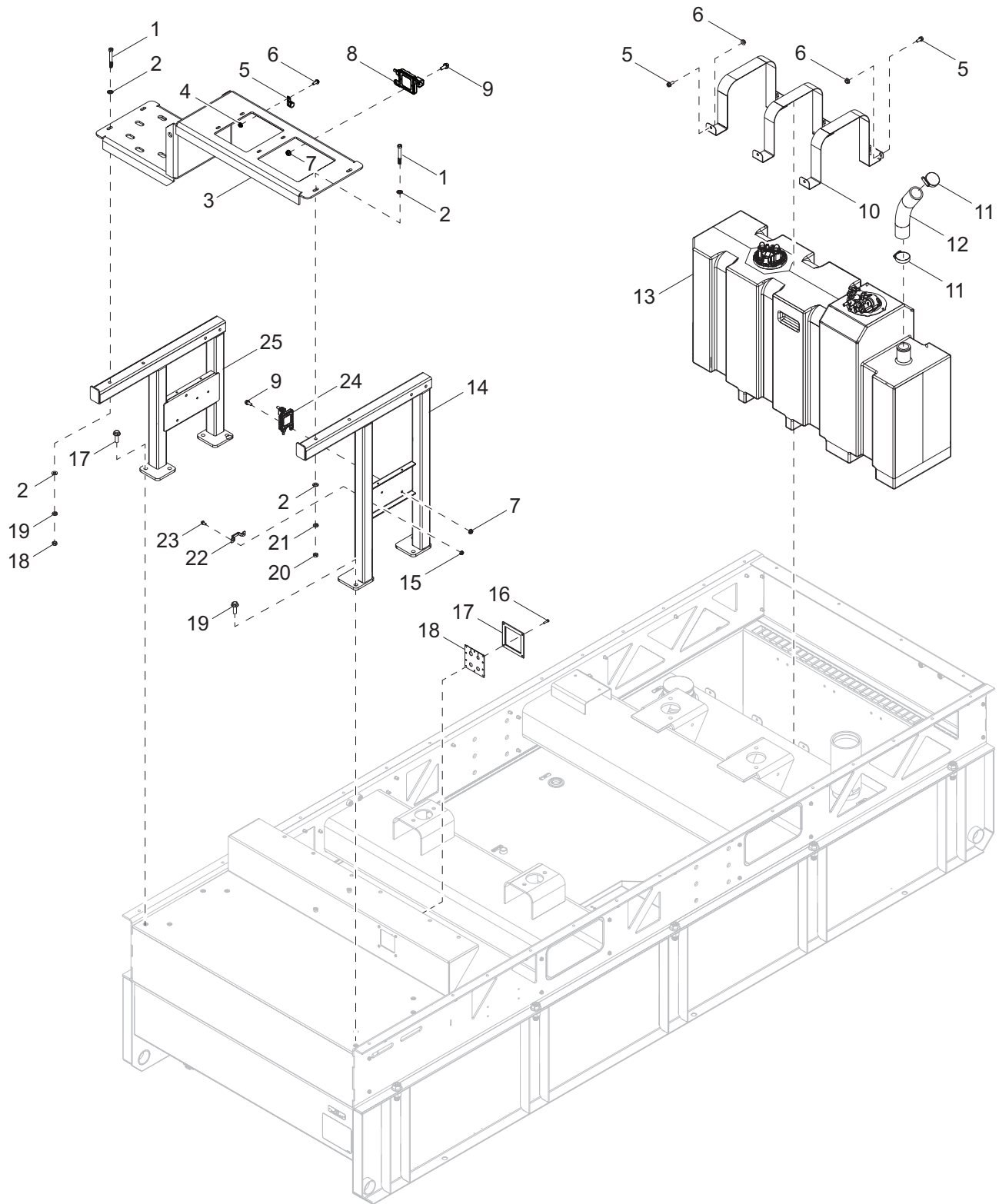
02420

## EXHAUST & AFTER TREATMENT ASSEMBLY

Item	Part No.	Qty	Description	Notes
1	53488	1	SCR module	
2	21096	1	Cap, rain - 5.00 inch	
3	54785	1	Blanket, insulated exhaust elbow	
4	33231	3	Gasket, 5.00 exhaust DPF flange	
5	10000011754	3	Clamp, v-band	
6	53684	1	Elbow, SCR	
7	53787	1	Tube, decomp	
8	31861	2	Clamp, v-band 5.00 inch	
9	33185	2	Gasket, 4.0 exhaust pipe flange	
10	10000018962	1	Weldment, DOC inlet pipe	
11	10000020242	1	Clamp, guillotine 3.50	
12	10000018899	1	Pipe, turbo	
13	10000013128	1	Clamp, v-band 3.84	
14	10000013131	1	Gasket, 3.25 ID x 3.75 OD - high temperature	
15	10000019073	1	Blanket, turbo pipe	
16	10000018954	1	Blanket, DOC inlet pipe	
17	60147	2	Screw, .375-16 x 3.50 standard hex, G5	
18	60698	2	Washer, .375 flat - SS	
19	21094	2	Clamp, air filter	
20	60507	4	Screw, .312-18 x 1.00 standard hex - SS	
21	60340	4	Washer, .312 flat - SS	
22	60145	2	Nut, .375-16 serrated flange, G5	
23	60095	4	Nut, .312-18 serrated flange	
24	44531	7	Screw, M16-2.00 x 30 standard hex, G8.8	
25	60194	7	Washer, M16 split lock	
26	60193	7	Washer, M16 flat	
27	53487	1	DOC module	

**Note:** DEF parts used in all Generac Mobile Products, LLC equipment carry the Original Equipment Manufacturer (OEM) warranty unless otherwise stated. OEM warranty parts must be purchased through an OEM dealer. Please contact Generac Mobile Products, LLC with questions

# EXHAUST SUPPORT & DEF ASSEMBLY



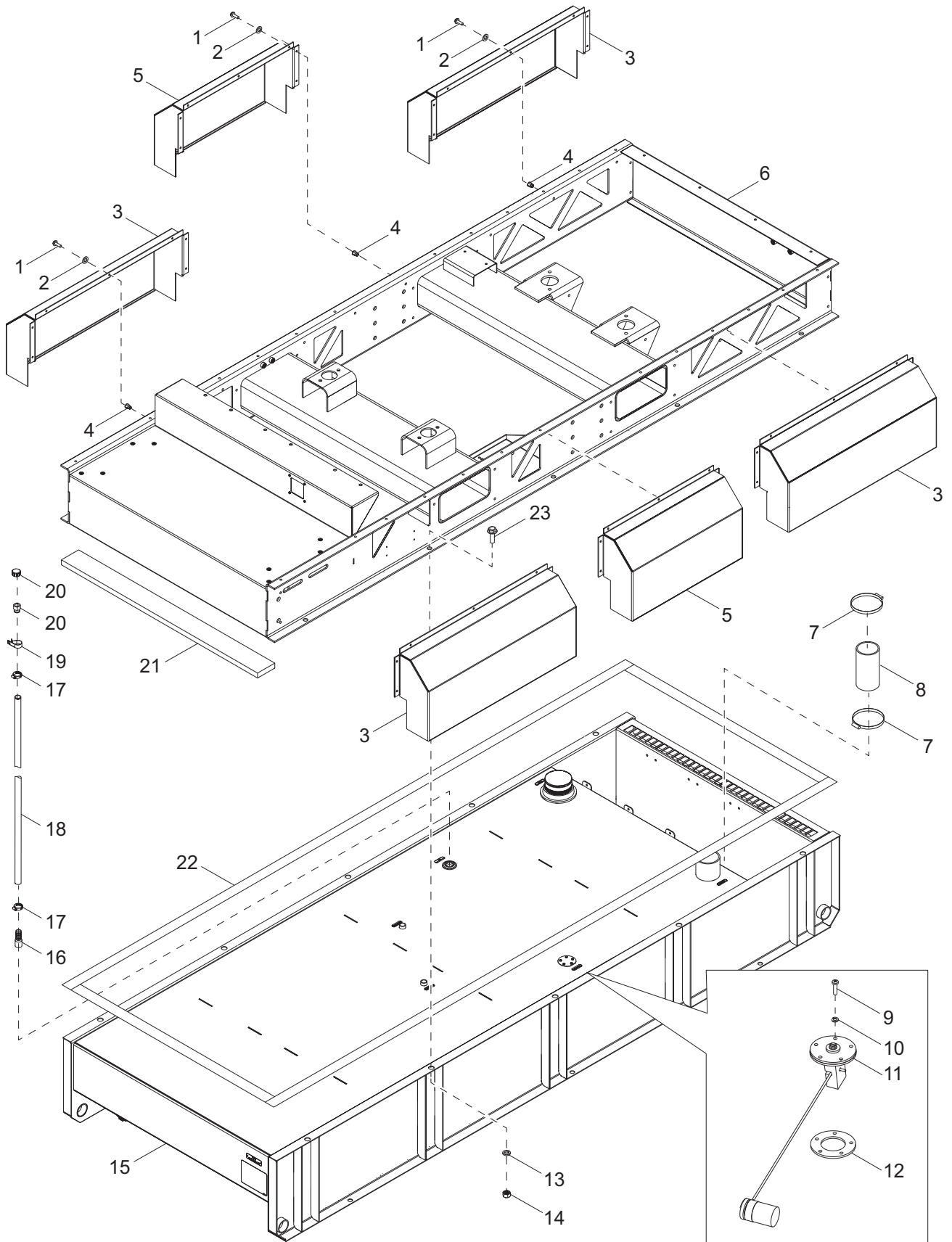
02416

## EXHAUST SUPPORT & DEF ASSEMBLY

Item	Part No.	Qty	Description	Notes
1	60400	4	Screw, .375-16 x 3.00 standard hex,G5	
2	60151	8	Washer, .375 flat	
3	10000018663	1	Bracket, after-treatment	
4	60036	4	Nut, M6-1.00 serrated flange, G8.8	
5	16143	4	Clamp, tubing .500	
6	60087	4	Screw, M6-1.00 x 16 serrated flange hex, G8.8	
7	60095	13	Nut, .312-18 serrated flange	
8	10000025293	1	JD NOX ECU 2	
9	60616	13	Screw, .312-18 x .750 serrated flange hex, G5	
10	10000018545	3	Strap, DEF tank	
11	60316	2	Clamp, hose SAE 032 (1.56-2.50)	
12	10000021160	1	Hose, DEF fill	
13	54115	1	Assembly, DEF tank, 25 gallon	
14	10000018822	1	Bracket, exhaust - DOC side	
15	60161	2	Nut, .250-20 serrated flange, G5	
16	61196	4	Screw, 10-23 x .750 standard hex - SS	
17	54926B	1	Clamp plate, bulkhead DEF	
18	51466	1	Bulkhead, DEF - rubber	
19	61103	4	Screw, .500-13 x 1.750 serrated flange hex	
20	60140	4	Nut, .375-16 hex, G5	
21	60206	4	Washer, .375 split lock	
22	10000025247	1	JD temp sensor clamp	
23	60175	2	Screw, .250-20 x .500 serrated flange hex, G5	
24	10000025293	1	JD NOX ECU 1	
25	10000018985	1	Bracket, mount SCR side	

**Note:** DEF parts used in all Generac Mobile Products, LLC equipment carry the Original Equipment Manufacturer (OEM) warranty unless otherwise stated. OEM warranty parts must be purchased through an OEM dealer. Please contact Generac Mobile Products, LLC with questions

# SKID AND FUEL TANK ASSEMBLY



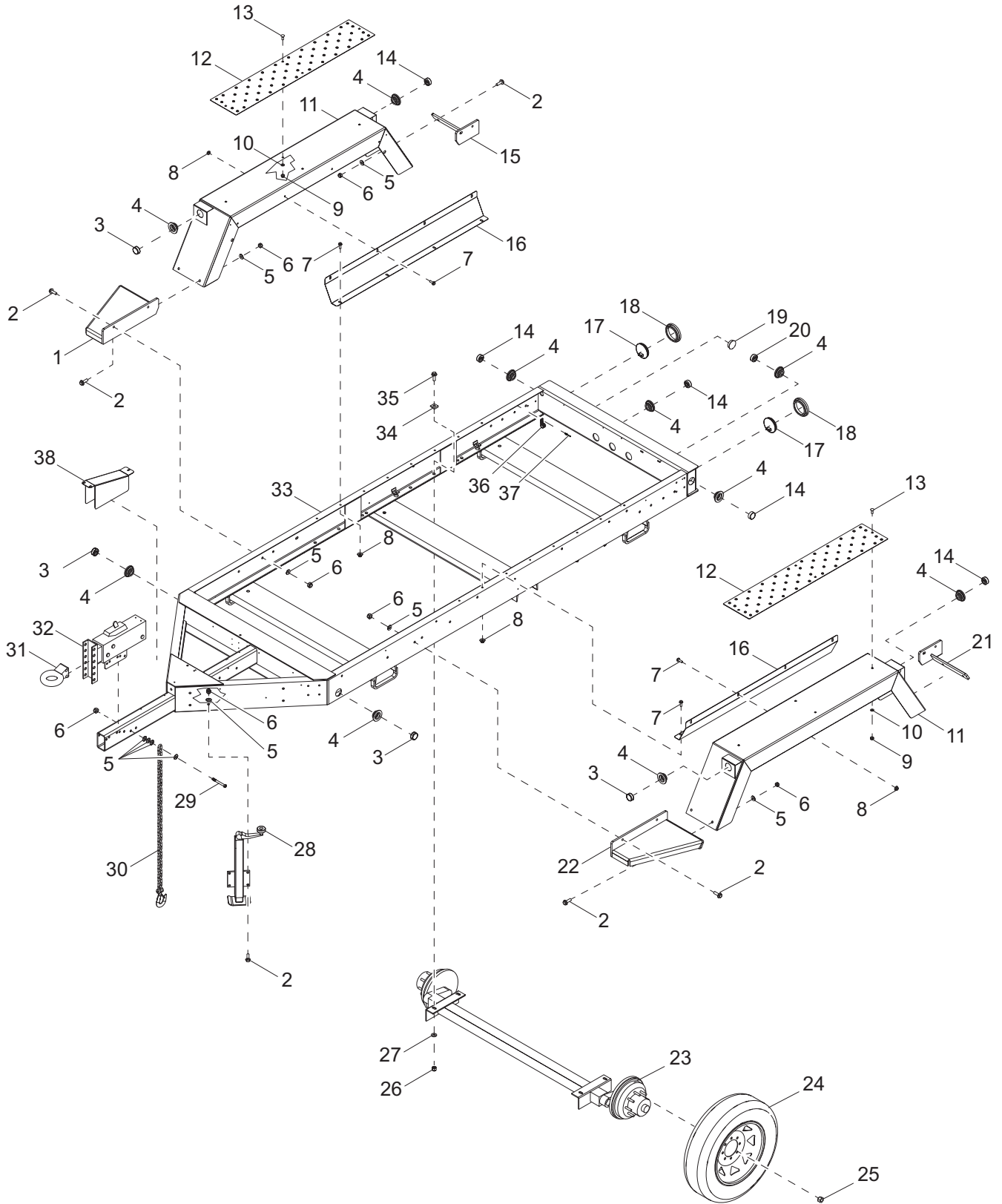
02417



## SKID AND FUEL TANK ASSEMBLY

Item	Part No.	Qty	Description	Notes
1	68070	42	Screw, .250-20 x .1.0 button hex, SS	
2	60704	42	Washer, .250 split lock, SS	
3	54692B	4	Panel, rain guard - side	
4	56551	42	Insert, .250-20 splined .165-.260, threaded	
5	54695B	2	Panel, rain guard - middle side	
6	10000020418	1	Weldment, skid	
7	19842	2	Clamp, hose - SAE072 (4.06-5.00)	
8	10000020236	1	Hose, fuel 4.0 I.D. x 8.50	
9	60062	5	Screw, 10-32 x .750 pan Phillips, G2	
10	60252	5	Washer, #10 split lock	
11	21206	1	Sender, fuel 16-24 inch, right hand	
12	22323	1	Gasket, fuel sender	
13	60248	10	Washer, .750 split lock	
14	60249	10	Nut, .750-10 hex, G8	
15	10000015046	1	Tank, fuel 343 gallon - single wall	
16	20162	1	Fitting, straight 1.00NPT x 1.00 barb - plain	
17	19336	2	Clamp, hose - SAE 044 (2.31-3.25)	
18	50019	5.0 ft	Hose, fuel 1.00 SAE 203R	
19	60716	1	Clamp, tubing 1.50 light -duty	
20	26379	1	Vent, fuel 1.00 I.D. - plastic	
21	10000019063	1	Foam, front fuel tank	
22	54922	1	Gasket, 1.00 x .250	
23	63111	10	Screw, .750-10 x 2.25 flange hex, G8	

# TRAILER ASSEMBLY



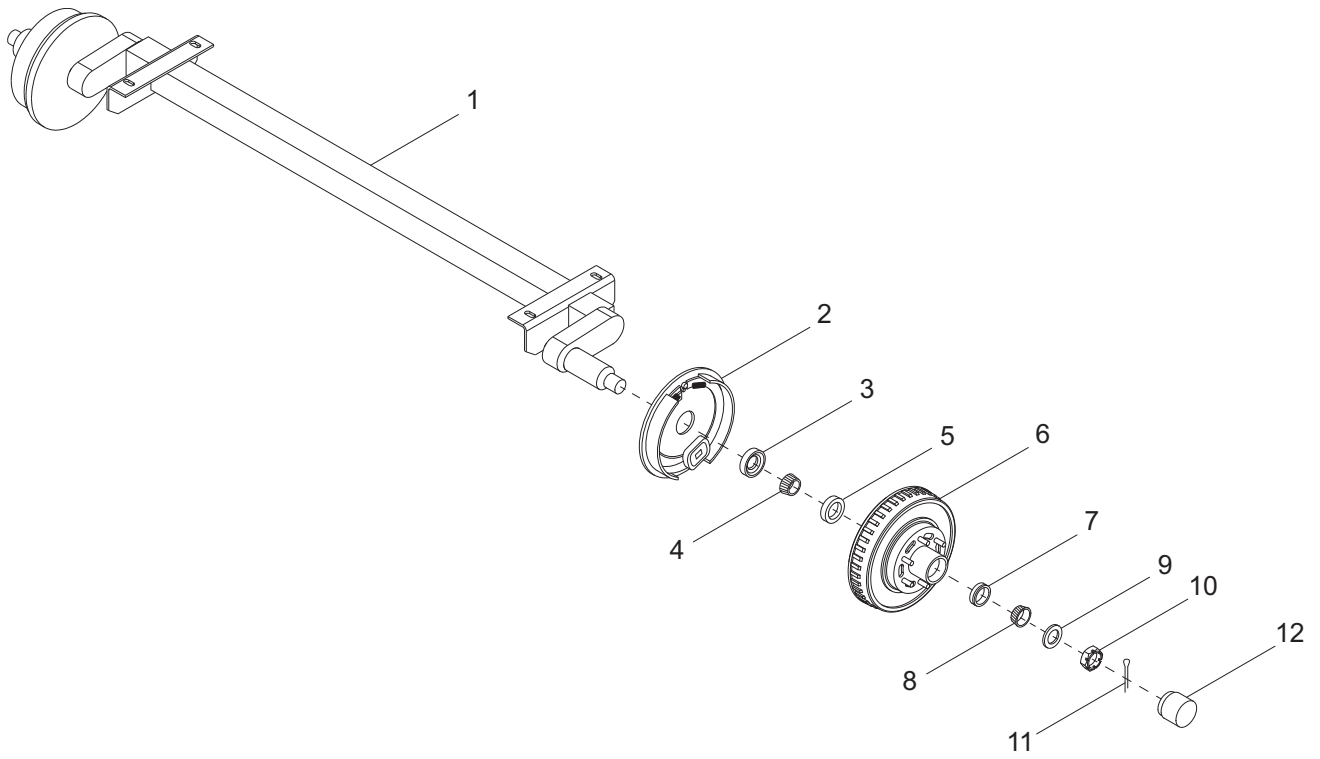
02418

## TRAILER ASSEMBLY

Item	Part No.	Qty	Description	Notes
1	22360B	1	Weldment, front step - right hand	
2	61103	20	Screw, 500-13 x 1.75 serrated flange hex	
3	66702	4	Light, clearance 2.0" LED - amber	
4	66394	14	Grommet, sealed beam light 2.0" - rubber	
5	60416	28	Washer, .500 flat .375/.090	
6	62221	22	Nut, .500-13 nylock, G5	
7	60517	16	Screw, .375-16 x 1.00 serrated flange hex	
8	60145	16	Nut, .375-16 serrated flange, G5	
9	60358	8	Nut, .375-16 nylock, G5	
10	60698	8	Washer, .375 flat .875/.040 - SS	
11	54212B	2	Weldment, fender, large trailer	
12	54215B	2	Plate, anti-skid - diamond plate	
13	60790	8	Screw, .375-16 x 1.00 carriage - SS	
14	66703	7	Light clearance 2.0" LED - red	
15	26877B	1	Weldment, rear step - right hand	
16	22351B	2	Shield, fender - large trailer	
17	10221	2	Grommet, rear light 4.50" - rubber	
18	66701	2	Light, stop/tail/turn 4.0" LED	
19	62161	1	Plug, hole 2.25 diameter. - black	
20	66704	1	Light, utility 2.0" LED - clear	
21	26876B	1	Weldment, rear step - left hand	
22	22359B	1	Weldment, front step - left hand	
23	22590	2	Axle, 7000# Torflex	
24	22592B	4	Wheel, ST235/80R16 - black	
25	60096	32	Nut, .500-20 lug, G5	
26	60240	8	Nut, .625-11 nylock, G5	
27	60193	8	Washer, M16 flat	
28	12295B	1	Weldment, jack - large trailer	
29	60376	2	Screw, 500-13 x 4.50 hex, G5	
30	20159	2	Chain, trailer safety - .375" hi test	
31	19335B	1	Coupler, Lunette ring 3.0 ID - adjustable	
32	18373	1	Actuator, trailer	
33	27655B	1	Weldment, trailer frame	
34	60651	8	Washer, square bevel .626 gauge	
35	61078	8	Screw, .625-11 x 2.00 flange hex, G8	
36	16143	12	Clamp, tubing .500	
37	61155	12	Rivet, .188 diameter x .438-.750 grip	
38	22302B	1	Cover, brake line	

# AXLE ASSEMBLY

---



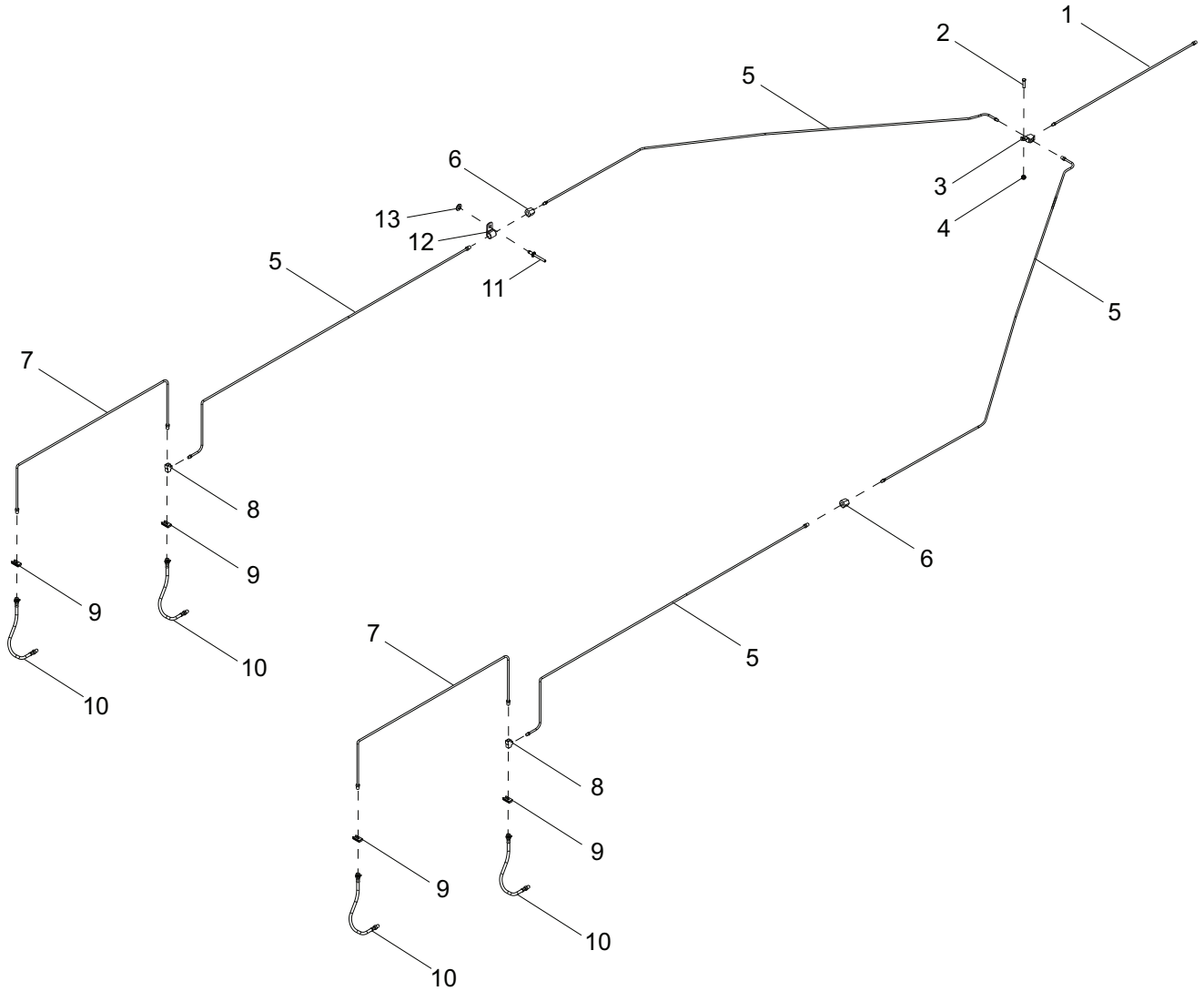
01713

## AXLE ASSEMBLY

---

Item	Part No.	Qty	Description	Notes
1	22590	1	Axle, 7000# - 57.0 inch frame	
2	26571	1	Assembly, surge-free backing brake - left	
--	26572	1	Assembly, surge-free backing brake - right	
3	26575	2	Seal, inner grease 2.25 inch	
4	26576	2	Bearing, inner hub	
5	26577	2	Cup, inner bearing	
6	26578	2	Drum, brake - 12.0 inch	
7	26579	2	Cup, outer bearing	
8	26580	2	Bearing, outer hub	
9	26581	2	Washer, spindle	
10	12308	2	Nut, spindle	
11	26583	2	Pin, cotter	
12	26582	2	Cap, dust	

# BRAKE LINE ASSEMBLY

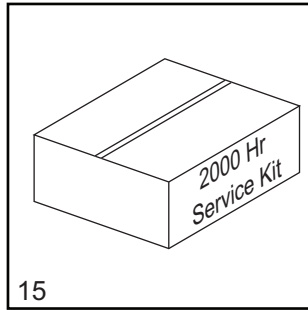
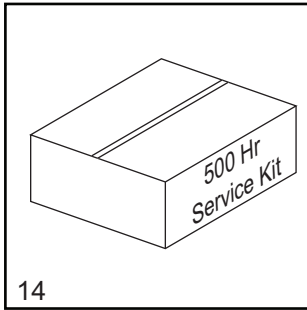
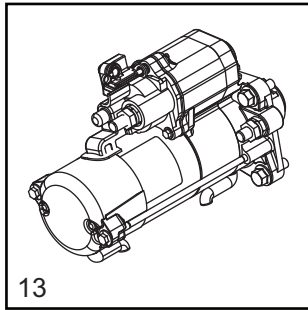
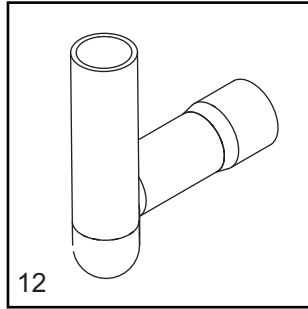
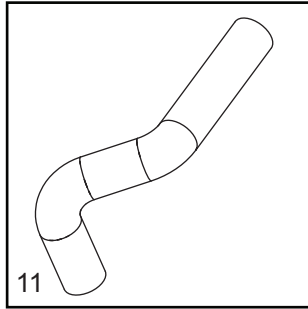
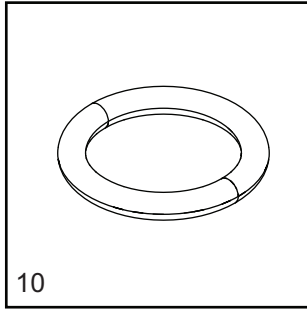
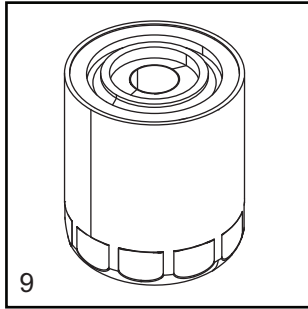
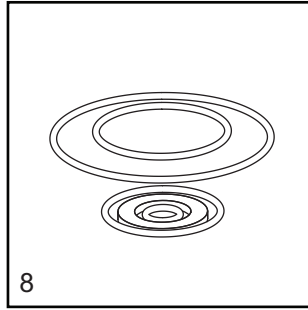
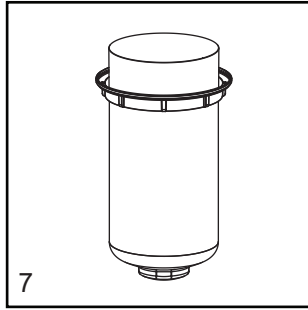
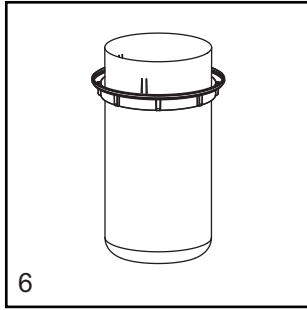
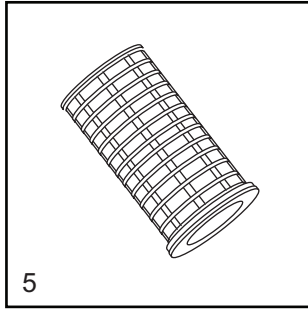
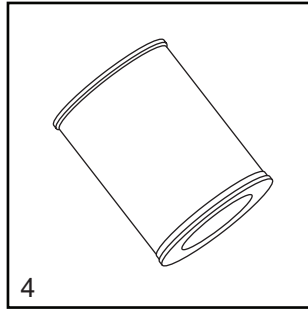
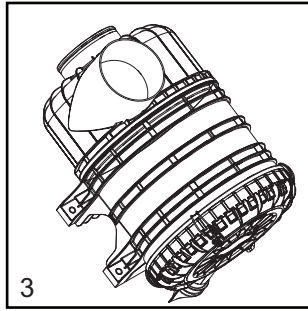
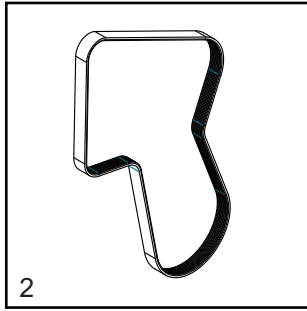
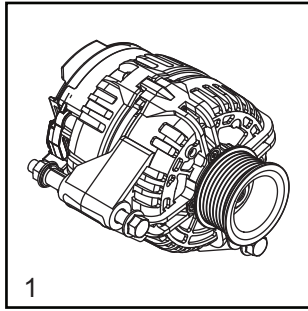


00618

## BRAKE LINE ASSEMBLY

Item	Part No.	Qty	Description	Notes
1	40495	1	Line, brake - .188 x 20.0	
2	60684	1	Screw, .250-20 x .875 standard. hex, SS	
3	19252	1	Fitting, strt - .188 brake line T w/bracket - female	
4	60144	1	Nut, .250-20 nylock, G5	
5	22338	4	Line, brake - .188 x 60.0	
6	22339	2	Fitting, strt - .188 brake line coupler	
7	40493	2	Line, brake - .188 x 40.0	
8	40498	2	Fitting, strt - .188 brake line T - male/female/male	
9	40499	4	Clip, brake hose	
10	40497	4	Hose, brake - .188 x 20.0 - male/female	
11	60231	12	Rivet, .188 diameter. x .375 to .500 grip	
12	61010	12	Clamp, tubing - .375 heavy-duty	
13	60237	12	Washer, #10 flat .495/.036	

# RECOMMENDED SPARE PARTS - ENGINE AND SERVICE KITS





## RECOMMENDED SPARE PARTS - ENGINE AND SERVICE KITS

---

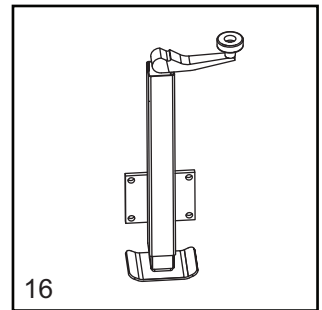
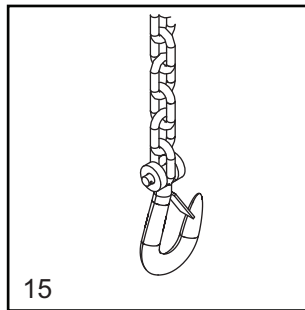
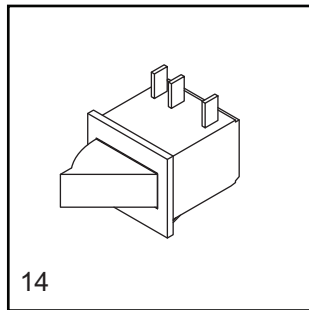
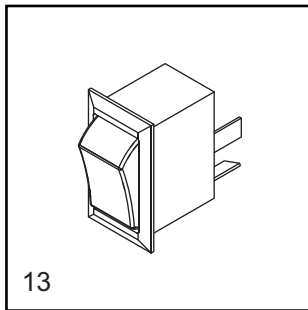
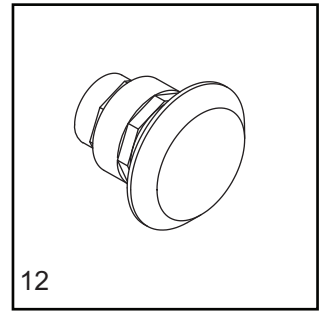
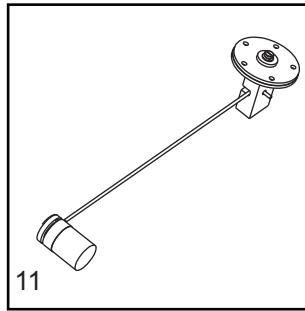
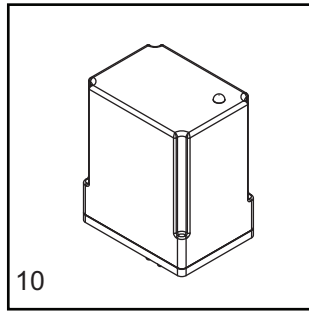
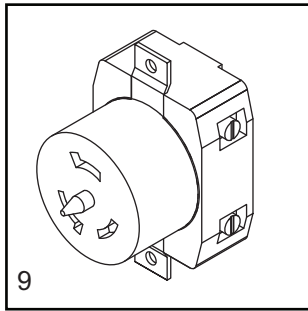
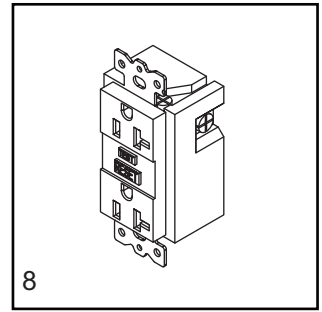
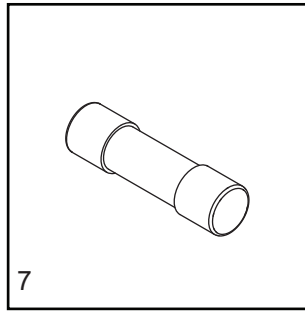
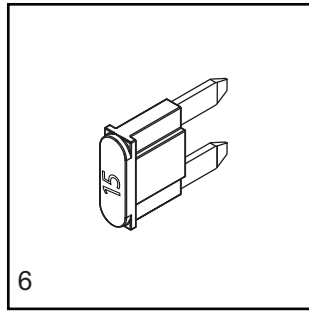
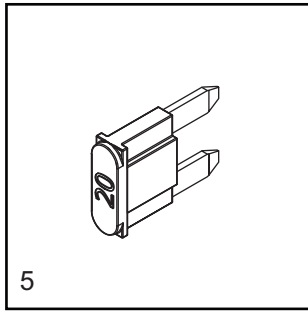
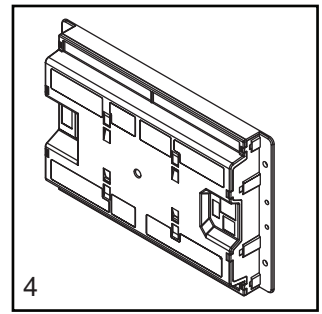
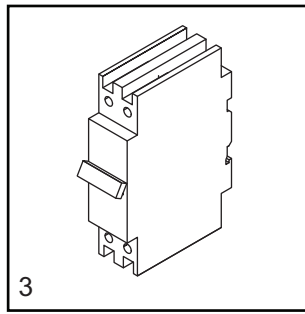
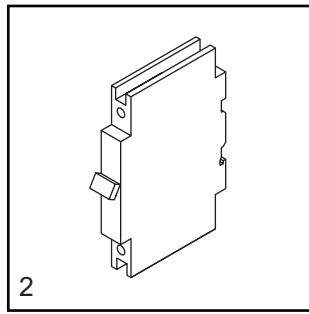
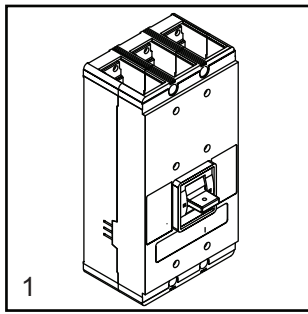
### ENGINE

1. Alternator .....	32910
2. Belt, fan .....	10000012588
Belt, fan (SLA) .....	10000032537
3. Filter, air - housing assembly .....	10000019432
4. Filter, air - primary element .....	10000024537
5. Filter, air - secondary element .....	10000024603
6. Filter, fuel - primary .....	10000018039
7. Filter, fuel - secondary .....	10000018016
8. Filter, fuel - seal kit .....	10000018052
9. Filter, oil .....	32245
10. O-ring, oil filter .....	10000018100
11. Hose, radiator - lower .....	53628
12. Hose, radiator - upper .....	53627
13. Starter .....	10000012633

### SERVICE KITS

14. 500 hour kit .....	10000024539
Includes: Primary Air Filter 10000024537, Secondary Air Filter 10000024603, Primary Fuel Filter Element 10000018039, Secondary Fuel Filter Element 10000018016, Fuel Filter Seal Kit 10000018052 (2), O-ring 10000018100 and Oil Filter 32245	
15. 2000 hour kit .....	10000024632
Includes: Engine Belt 10000012588 (2), OVR Filter 10000016857, Primary Air Filter 10000024537 (4), Secondary Air Filter 10000024603 (4), Primary Fuel Filter Element 10000018039 (4), Secondary Fuel Filter Element 10000018016 (4), Fuel Filter Seal Kit 10000018052 (8), O-ring 10000018100 (4) and Oil Filter 32245 (4)	

# RECOMMENDED SPARE PARTS - ELECTRICAL AND TRAILER



## RECOMMENDED SPARE PARTS - ELECTRICAL AND TRAILER

---

### ELECTRICAL

1. Breaker, main .....	10000007615
2. Breaker, 20A.....	18091
3. Breaker 50A.....	18092
4. Controller, programmed.....	Call
5. Fuse, 20 A .....	35560
6. Fuse, 15A .....	68204
7. Fuse, 5A .....	073590A
8. Receptacle, 120V/20A GFI .....	14130
9. Receptacle, 240V/50A twist lock .....	18089
10. Relay (Optional).....	66340
11. Sender, fuel.....	21206
12. Switch, E-stop assembly .....	65470
13. Switch, rocker .....	66996
14. Switch, trigger safety .....	12632

### TRAILER

15. Chain, safety.....	20159
16. Jack, top wind (tongue) .....	12295B

**Note:** To order replacement controller, contact Generac Mobile Products with unit serial number.





Part No. 10000016959 Rev. C 04/17/2019

©2019 Generac Mobile Products, LLC  
All rights reserved.

Specifications are subject to change without notice.  
No reproduction allowed in any form without prior written consent  
from Generac Mobile Products, LLC.

**GENERAC** | **MOBILE**

Generac Mobile Products, LLC  
215 Power Drive, Berlin, WI 54923  
[GeneracMobileProducts.com](http://GeneracMobileProducts.com) | 800-926-9768 | 920-361-4442